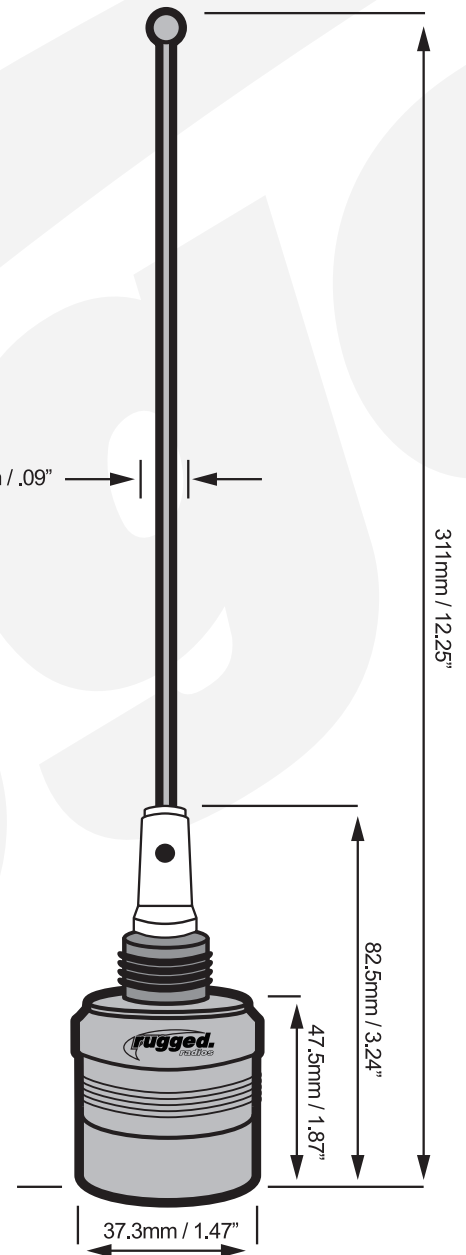


This GMRS antenna is pre-tuned at the factory. It provides excellent performance in a wide variety of conditions and does not require tuning.

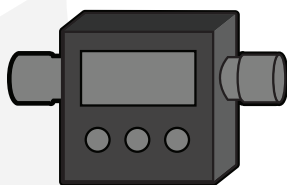
SPECS:

Freq	406-470 MHz
Tuning	Not Required
Gain	4.5 dBi
Mount Type	NMO
Max Power	150 Watts
Overall Length	311mm / 12.25"
Whip Material	Stainless Steel
Ground Plane	Not Required
Wavelength	1/2
Impedance	50 Ohm

Although this antenna does not require a ground plane (such as a metal roof), mounting it on a ground plane will always result in the best performance. See mounting recommendations on page 2.



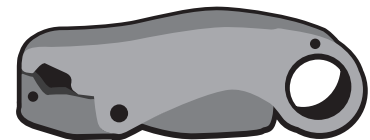
RECOMMENDED ACCESSORIES:



#SWR-METER-KIT
(sold separately)



#CRIMP-TOOL
(sold separately)

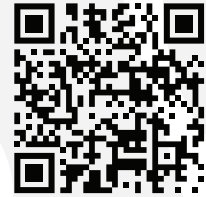


#STRIP-TOOL
(sold separately)

Ideal placement for maximum radio range:

- as high as possible
- in the center of a metal roof

For more helpful tips, check out our Tech Install Guide

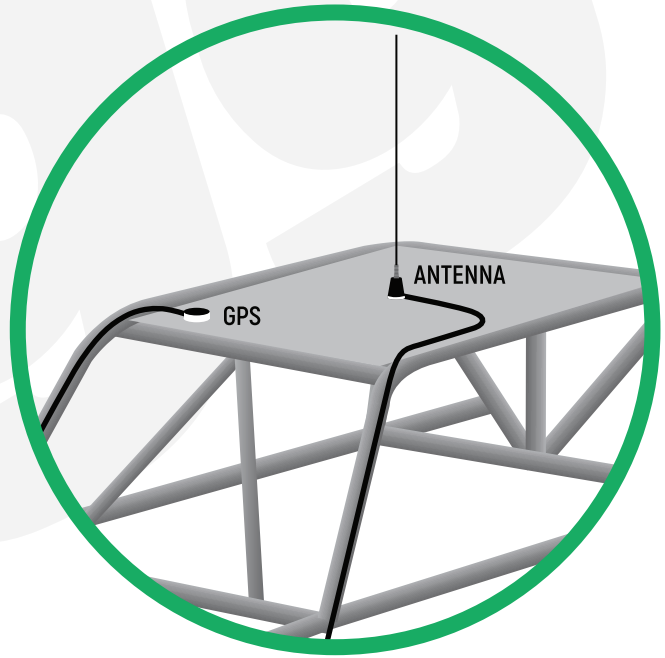


Obstructions block your signal!

- light bars, racks, air scoops, GPS antennas, .etc.



NO



YES



NO

NEVER COIL OR BUNDLE EXCESS ANTENNA CABLE

If cable is too long, have it shortened by a qualified technician or route it so excess length is used up.