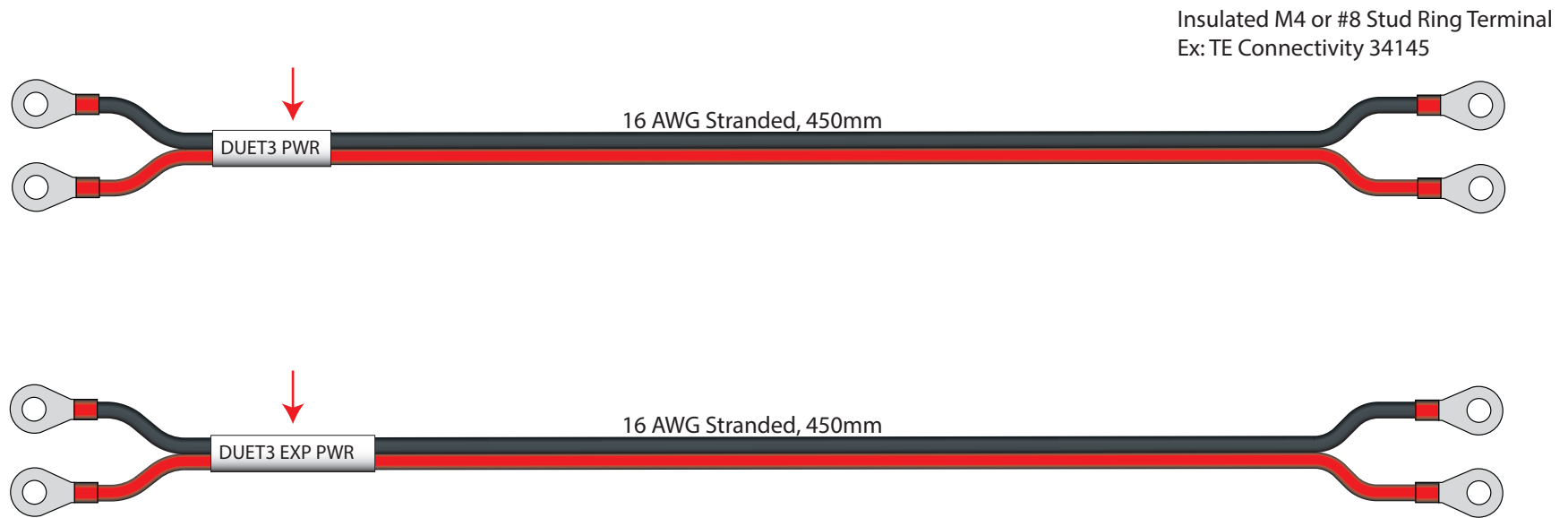


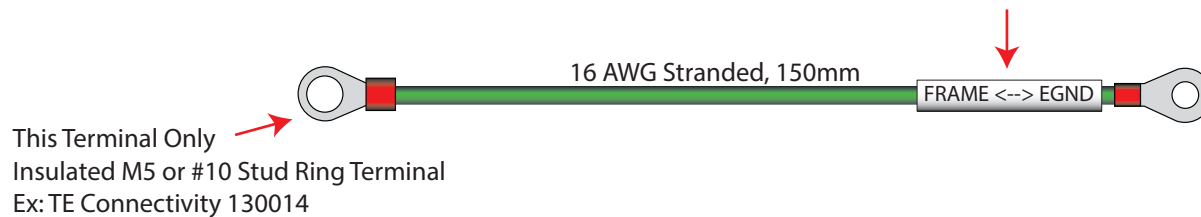
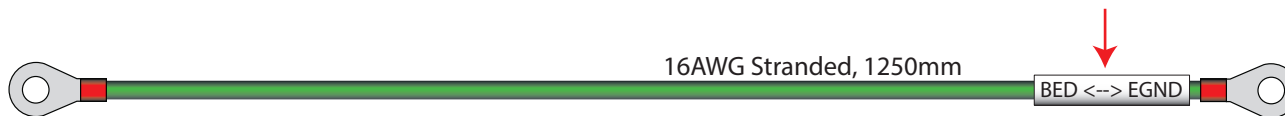
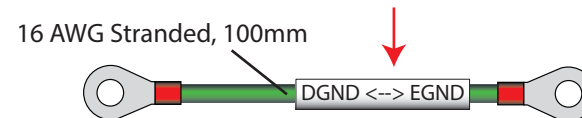
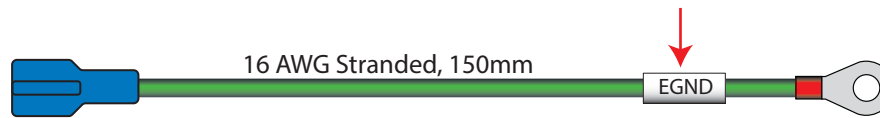
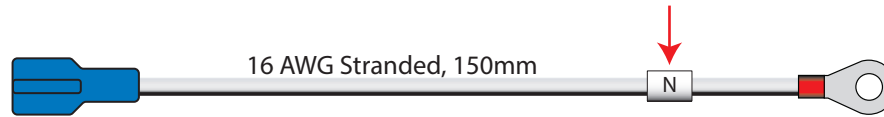
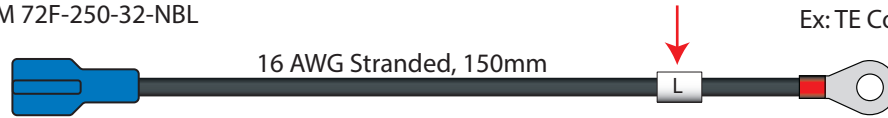
Duet Power Wiring Harnesses



PSU Wiring Harnesses

Insulated Female Quick Disconnect Terminal, 0.25in. Tab
Ex: 3M 72F-250-32-NBL

All Ring Terminals except otherwise noted:
Insulated M4 or #8 Stud Ring Terminal
Ex: TE Connectivity 34145



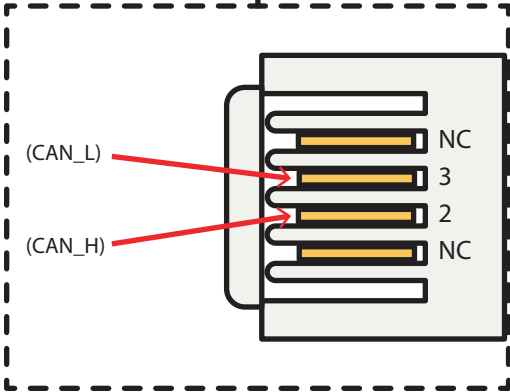
Duet 3 Mini Canbus Wiring Harness

Molex: KK 254
Housing (2-pin): 22013027
Pins: 08500113

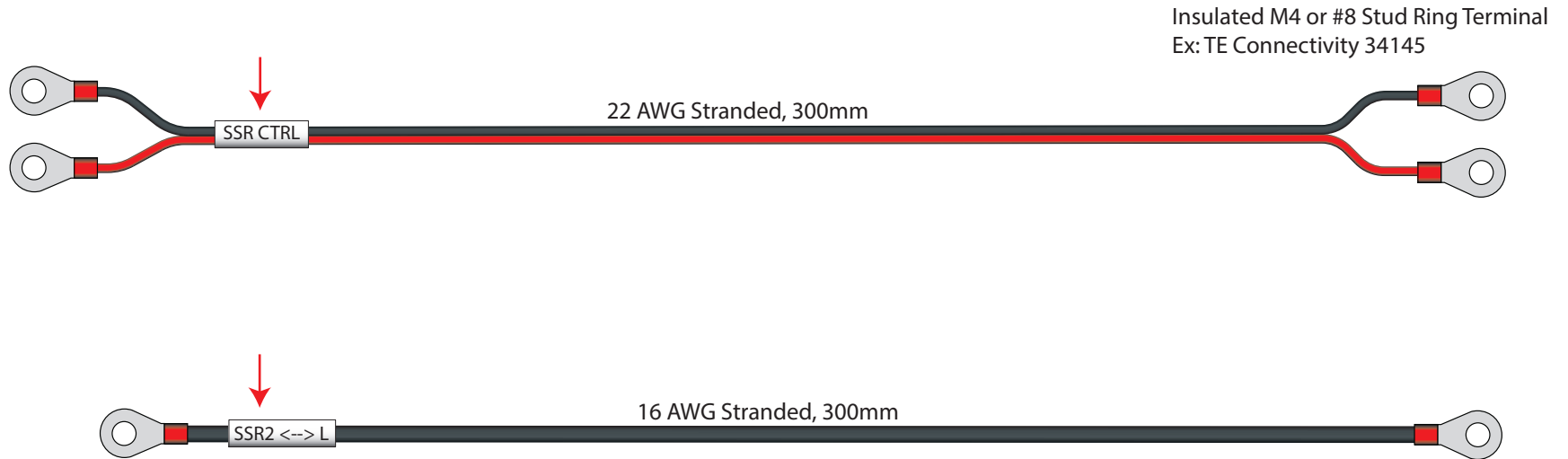
RJ11 6P4W

350mm

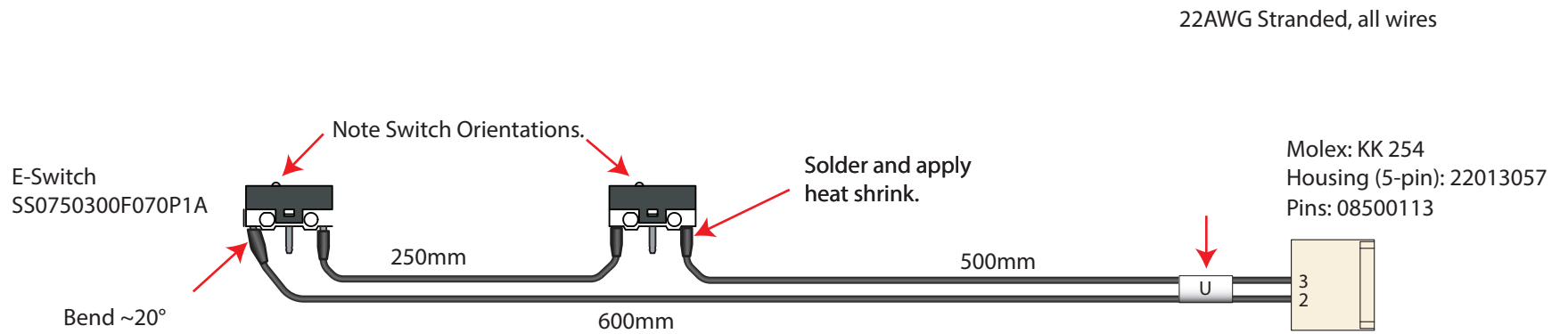
2 (CAN_L)
1 (CAN_H)



SSR Wiring Harnesses

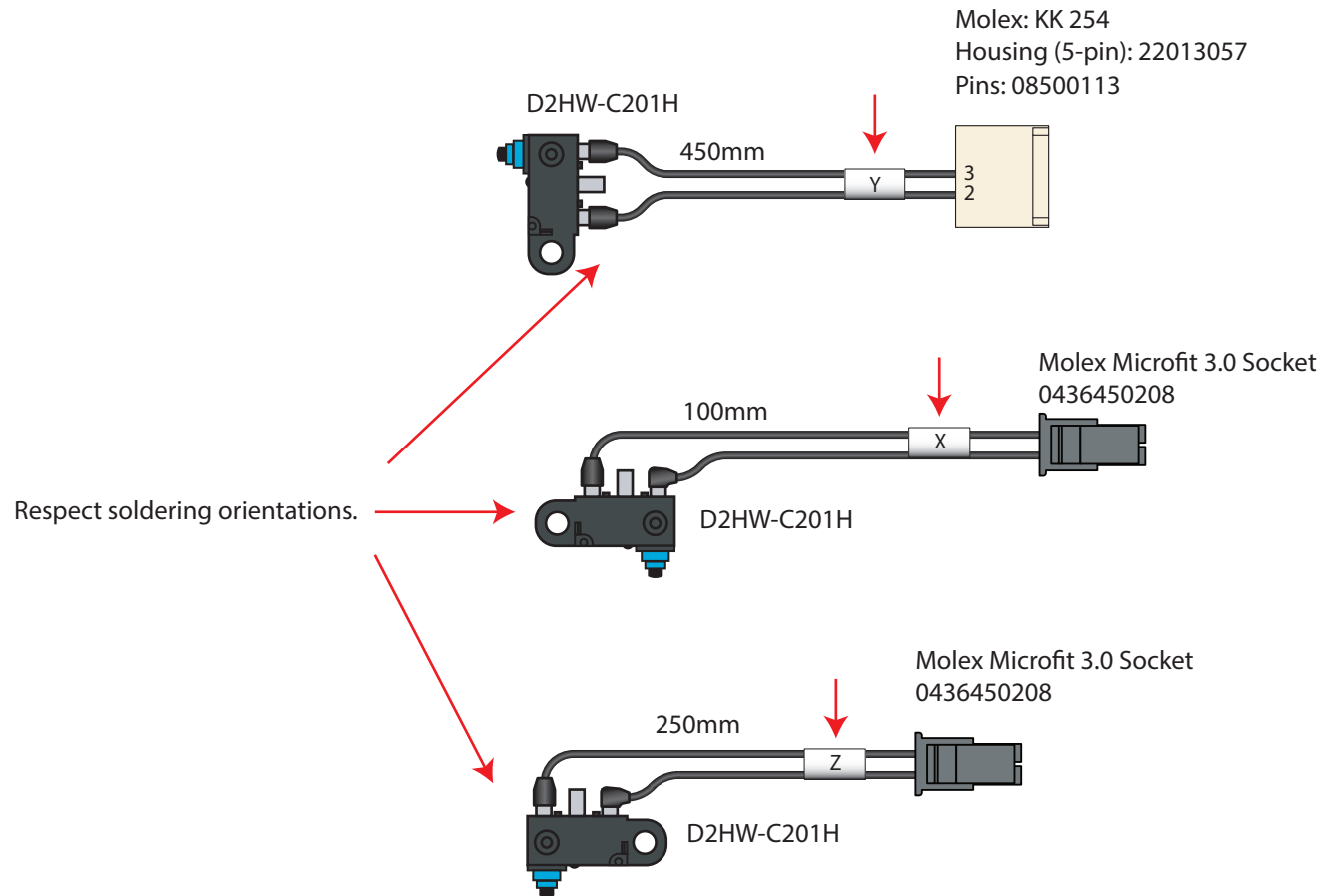


REL Switch Wiring



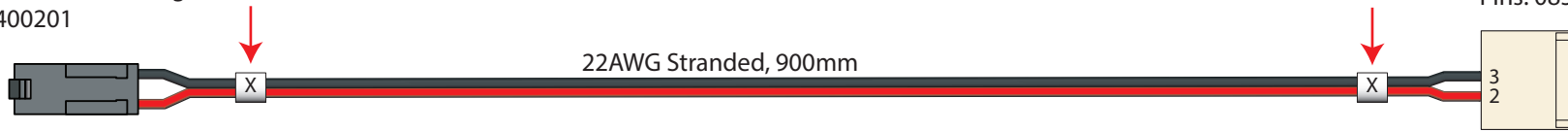
XYZ Limit Switch Wiring

22AWG Stranded, all wires.
Solder and apply heat shrink on switch terminals.

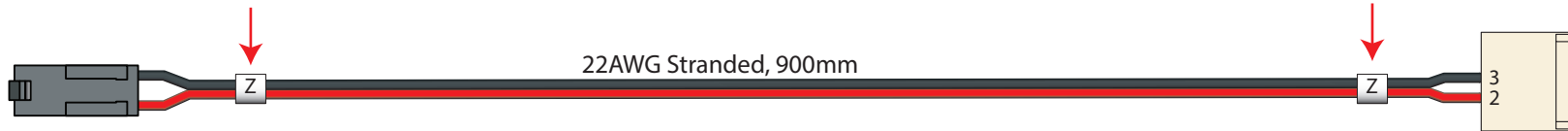


Limit Switch Wire Harnesses

Molex Microfit 3.0 Plug
0436400201



Molex: KK 254
Housing (5-pin): 22013057
Pins: 08500113



REL Switch Wiring

