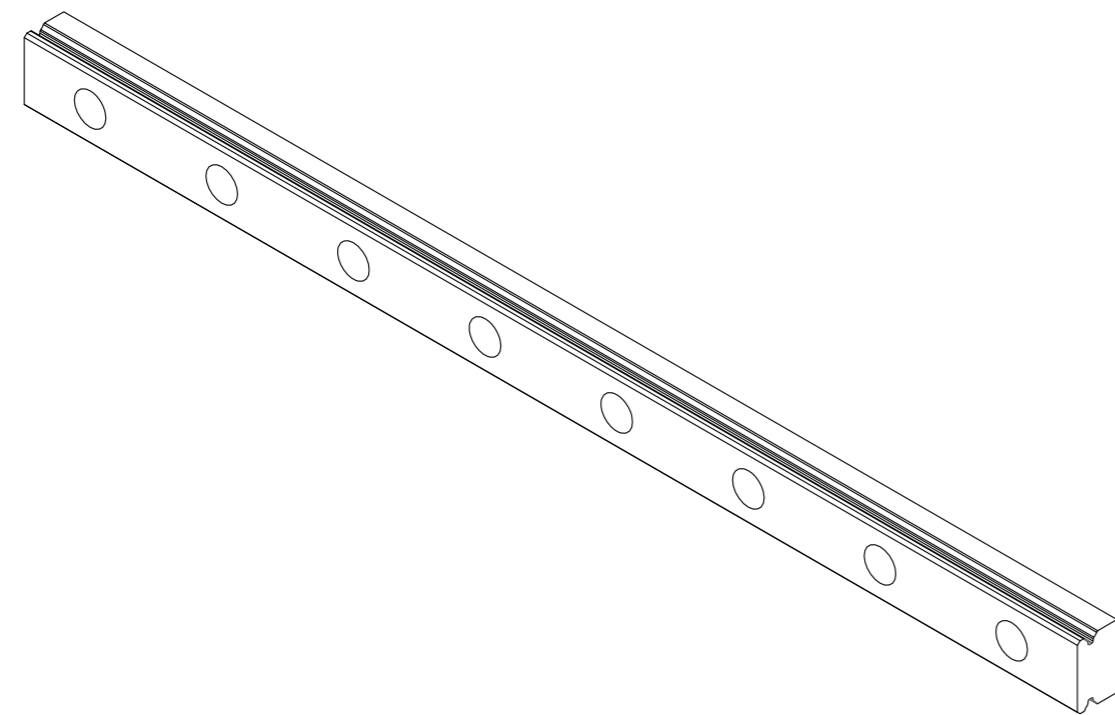
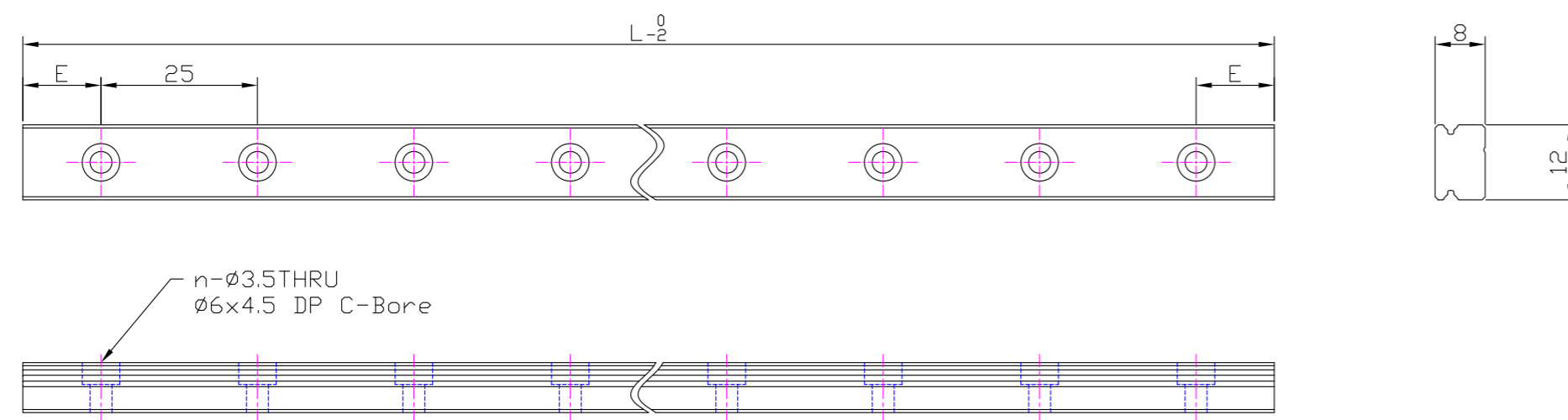
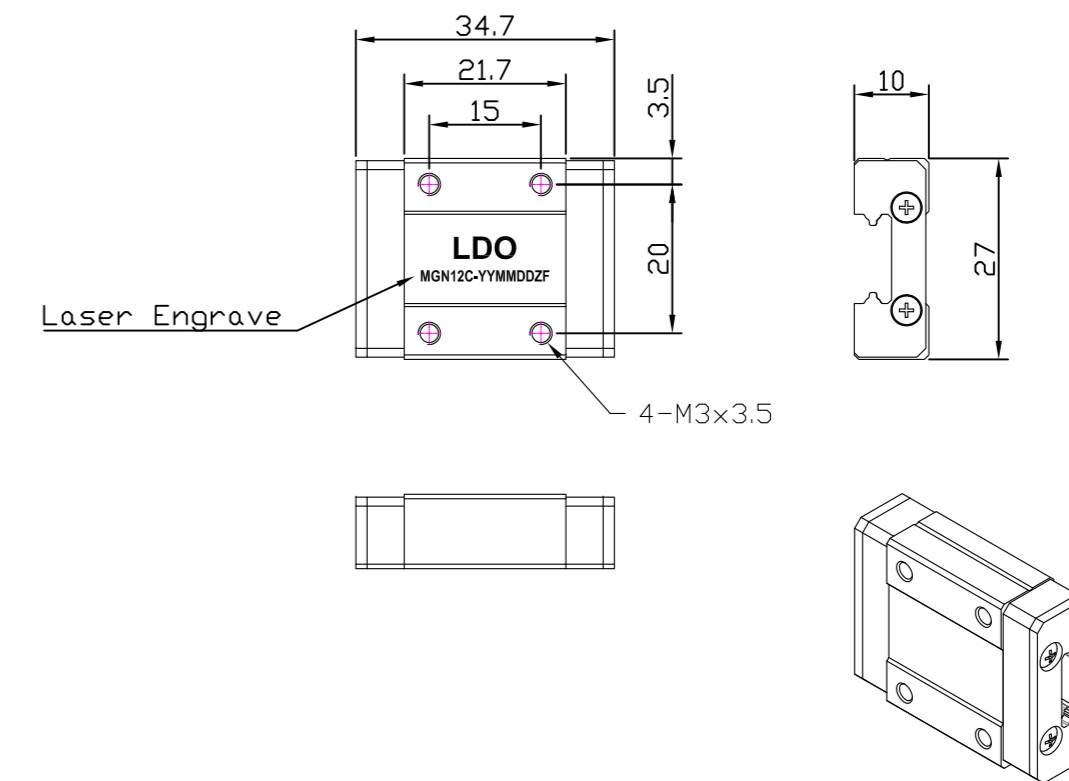


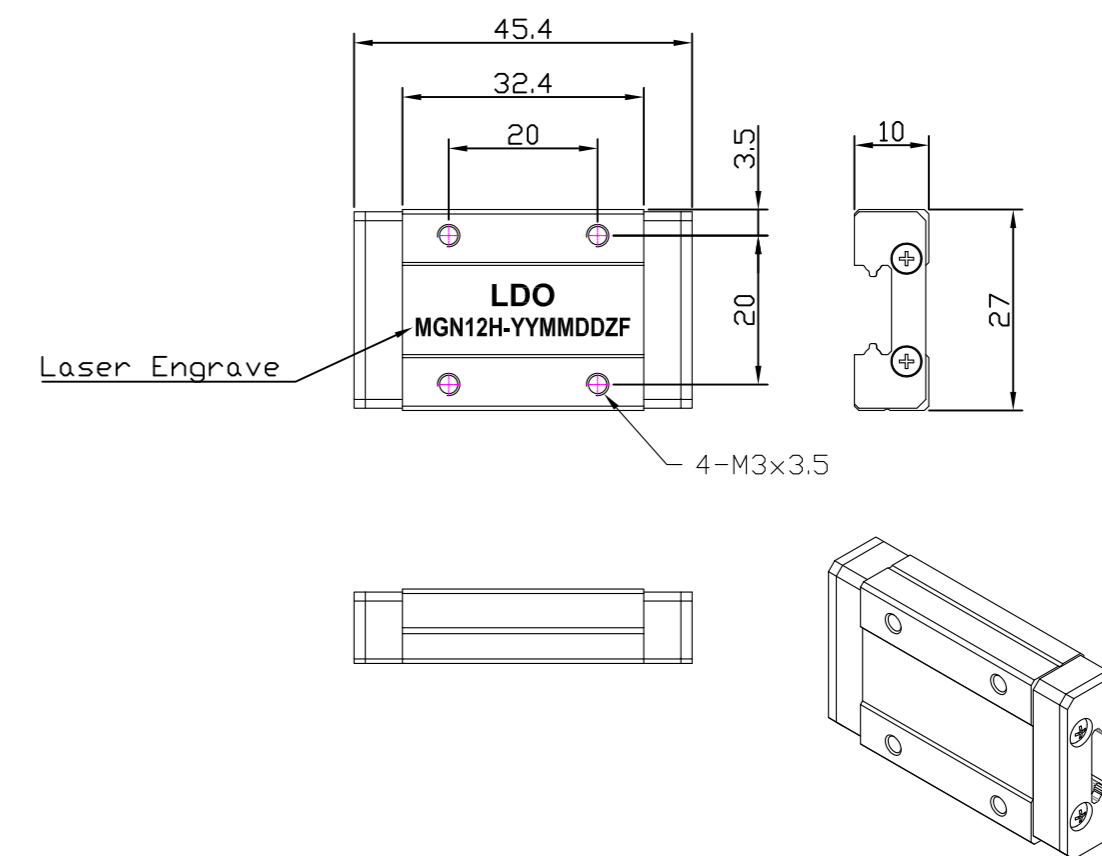
MGN12 Linear Rail



MGN12C Carriage



MGN12H Carriage



Notes:

- 1.) It is a good idea to replace the anti-corrosion oil that comes on the linear rail with lithium based grease such as HIWIN G05 or similar. Recommend re-lubricating every 100km, or every 500,000 cycles or so. Lubrication provides the following functions:
 - Reduce the rolling friction and surface wear of the rail/carriage.
 - Anti-corrosion
- 2.) Avoid removing the carriage from the rail if possible. Always use the black plastic insert (included) if the carriage needs to be removed, so the balls stay in the carriage.
- 3.) Accuracy class C
 - Dimension tolerance of height and width: ±40 microns
 - Maximum travel distance error: ±17 microns per 300~400mm and ±23 microns per 1000mm
- 4.) Preload: Light Clearance Class, 4um MAX
- 5.) Do not disassemble the carriages.
- 6.) Avoid bumping/dropping the rail or carriage, doing so will affect the accuracy.
- 7.) As some parts of the carriage are plastic, the maximum working temperature for the linear rail is 100°C.

A	--	New Release	Xu SD	J.B.	5/4/20
REV	ECN NO	Description	Made by	Approve	Date
			LDO MOTORS CO.,LTD		
		MGN12 Linear Rail and Carriage			
Des.	Check	Appr.	Date	Factory Code	page 1/1