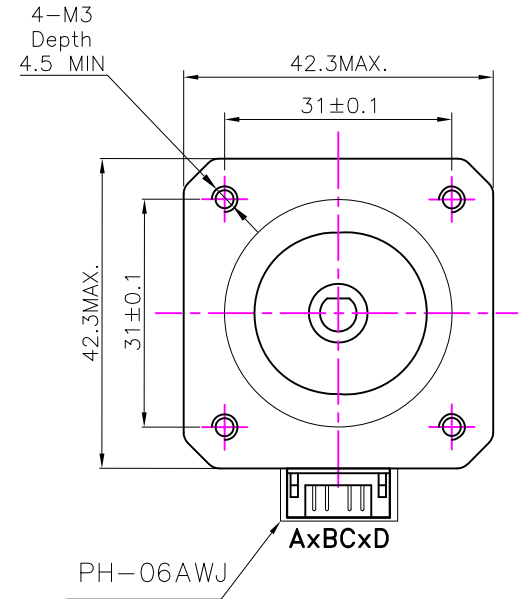
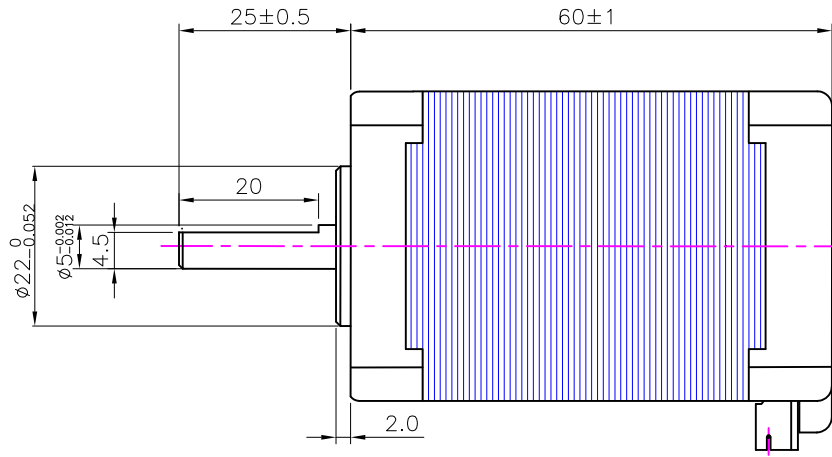
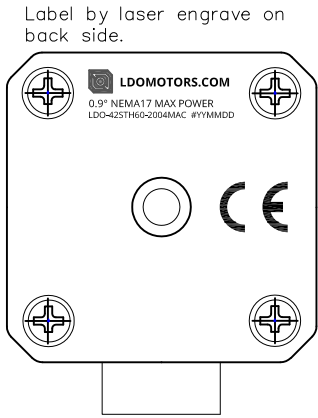
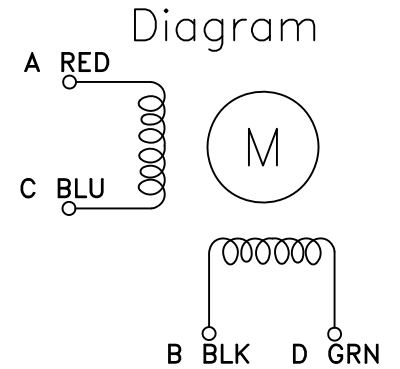
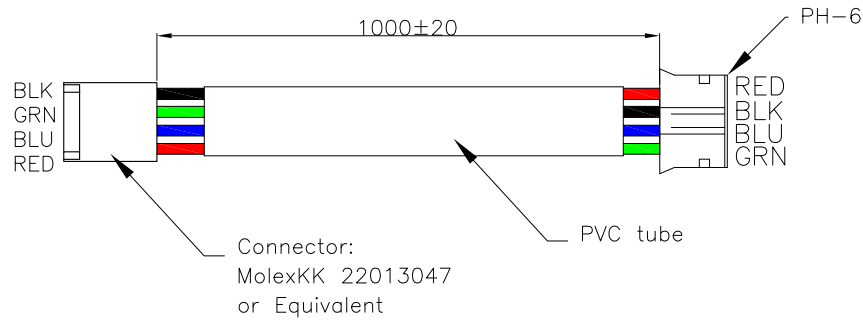
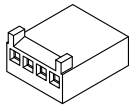


0.9° NEMA17 MAX POWER



Supply with detachable cable.



Items	Specs	Items	Specs						
Phase Number	2 phases	Step Angle	0.9° ±5%	B	---	MolexKK connector	Xu SD	J. B.	1/31/20
Rated Voltage	2.8 VDC	Rated Current	DC 2.0 A /Phase	A	---	New Release	Xu SD	J. B.	11/13/19
Resistance(20°C)	1.4±15% Ω /phase	Inductance	3.0±20% mH / Phase	REV	ECN NO	Description	Made by	Approve	Date
Holding Torque	≥ 6.0 Kg-cm(0.6Nm)	Detent Torque	0.3 Kg-cm REF.				LDO MOTORS CO.,LTD 0.9° NEMA17 MAX POWER LDO-42STH60-2004MAC(RC)		
Rotate Direction	ABCD CW	Insulation Resistance	≥100 MΩ (DC 500V)						
HI POT	AC600V/1mA/1S	Insulation Class	Class B						
Rotor Inertia	120 g.cm ²	Weight	0.5 Kg REF.						
				Des.	Check	Appr.	Date	Factory Code	page