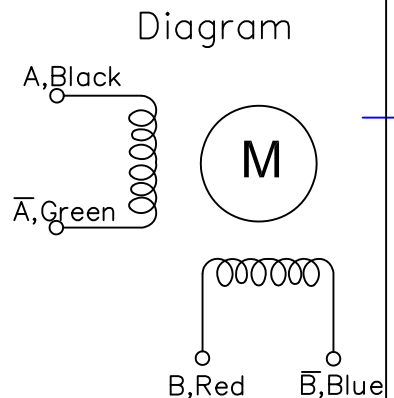


UL1332 24AWG
Teflon Wire
200 DegreeC
(KEY Feature)

Connector: Molex
50-57-9404, or
Equivalent.
(with locker tab)



Items	Specs	Items	Specs
Phase Number	2 phases	Step Angle	1.8° ±5%
Rated Voltage	4.0 VDC	Rated Current	DC 2.0 A / Phase
Resistance(20°C)	2.0±10% Ω / phase	Inductance	3.3±20% mH / Phase
Holding Torque	≥ 8.5Kg-cm(0.85 Nm)	Detent Torque	0.28 Kg-cm REF.
Rotate Direction	ABCD A CW	MAX Starting PPS	2500 PPS
MAX slewing PPS	2500 PPS	Insulation Resistance	≥100 MΩ (DC 500V)
HI POT	AC600V/1mA/1S	Insulation Class	Class H (180°)
Rotor Inertia	102 g.cm ²	Weighth	0.5 Kg REF.

REV	ECN NO	Description	Made by	Approve	Date
A	---	New Release	Xu SD	J. B.	3/15/19

LDO MOTORS CO.,LTD

Hybrid Stepper Motor
LDO-42STH60-2004AH

Des.	Check	Appr.	Date	Factory Code	page