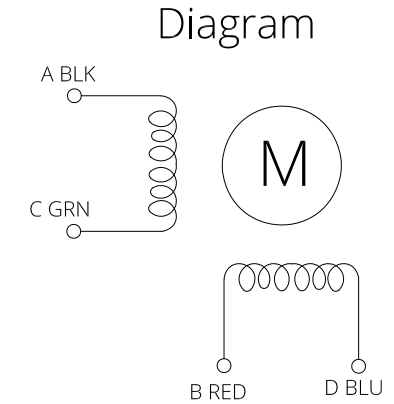
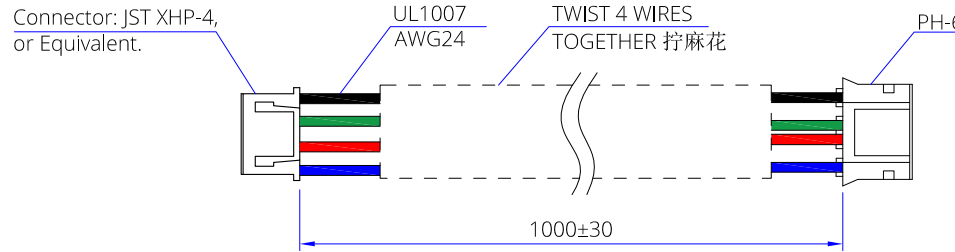
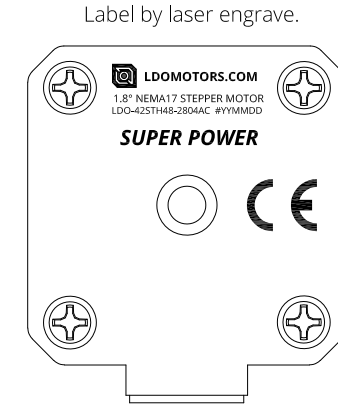
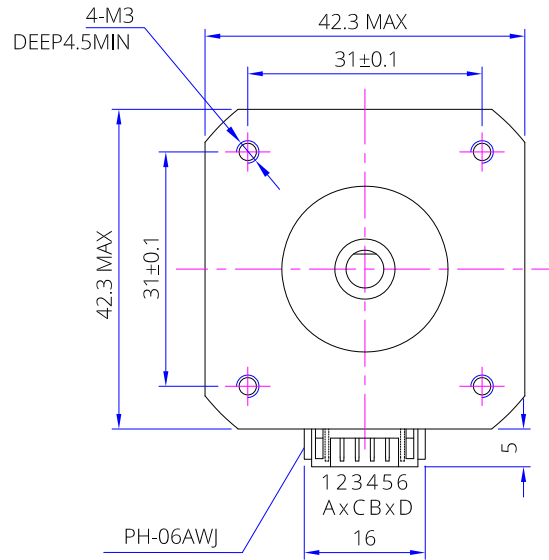
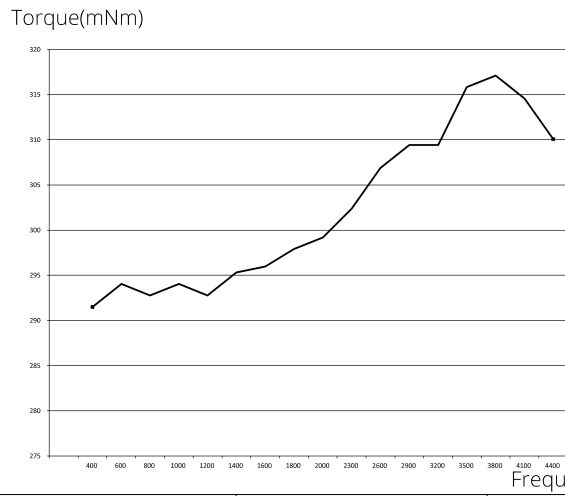


Torque Curve (24V, full step, 2.8A)



Item	Specification	Item	Specification
Phase Number	2	Step Angle	1.8° ± 5%
Rated Voltage	DC 1.4V / Phase	Rated Current	DC 2.8A / Phase
Phase Resistance	0.7x(1±20%) Ω	Phase Inductance	0.6x(1±20%) mH
Holding Torque	4.2Kgf-cm (420mN-m)	Detent Torque	25 mN-m REF.
Rotate Direction	A-AB-B CW	Insulate Resistance	100Mohm(DC500V)
HI-POT	AC600V/1mA/1S	Insulation Class	Class B 130°C
Rotor Inertia	84.5 g-cm <sup>2</sup> REF	Weight	0.35 Kg REF

A		NEW RELEASE		Xu SD	J.B.	12/3/22
REV.	ECN NO.	DESCRIPTION		MADE BY	APPR. BY	DATE
		VIEW	<b>LDO Motors Co., Ltd.</b>			
		SCALE	Part NO.: <b>1.8° NEMA17 Stepper Motor LDO-425TH48-2804AC</b>			
DRAWN BY	CHECKED BY	APPR. BY	DATE	FACTORY CODE	SHEET NO.	
Xu SD	J.B.	J.B.	11/4/22		1/1	