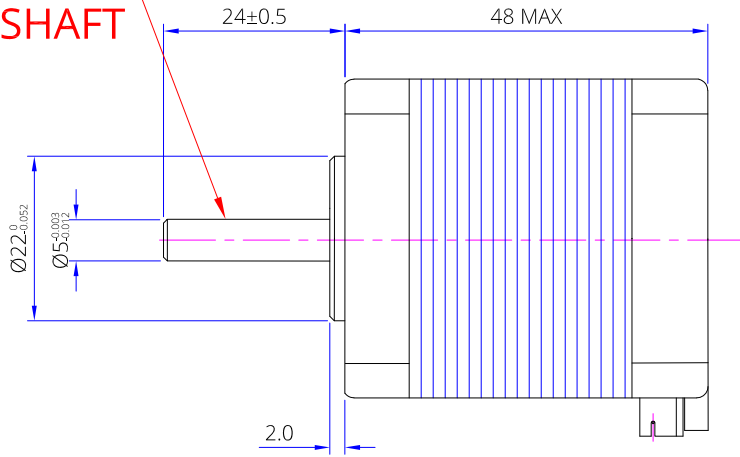
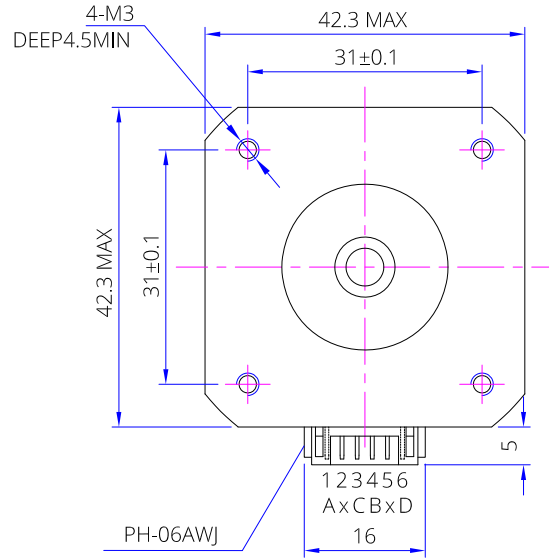
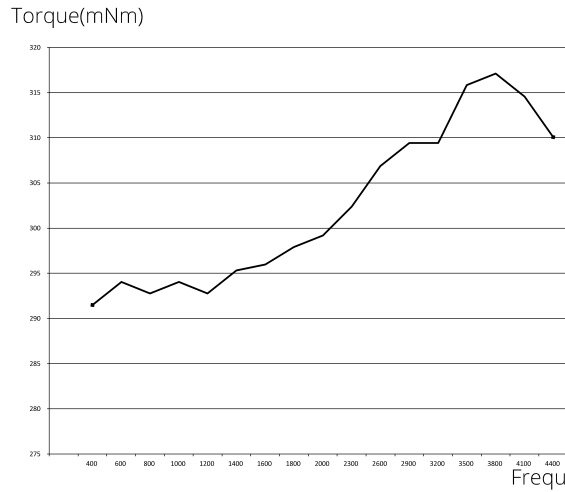


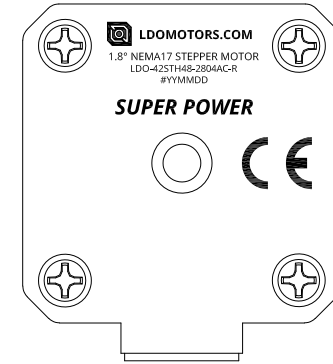
**ROUND
SHAFT**



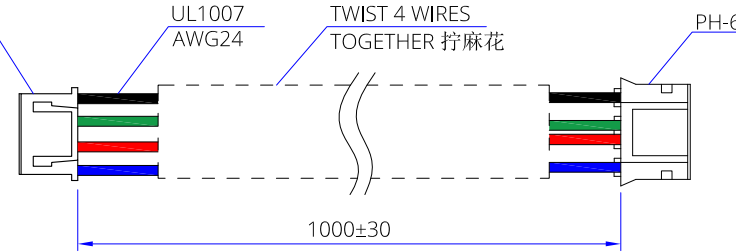
Torque Curve (24V, full step, 2.8A)



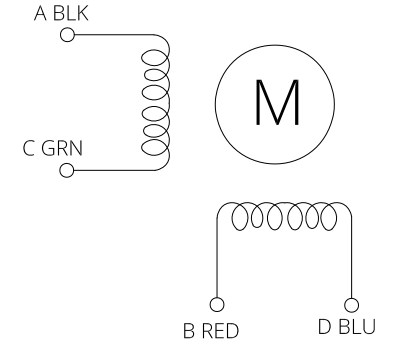
Label by laser engrave.



Connector: JST XHP-4,
or Equivalent.



Diagram



Item	Specification	Item	Specification
Phase Number	2	Step Angle	1.8° ± 5%
Rated Voltage	DC 1.4V / Phase	Rated Current	DC 2.8A / Phase
Phase Resistance	0.7x(1±20%) Ω	Phase Inductance	0.6x(1±20%) mH
Holding Torque	4.2Kgf-cm (420mN-m)	Detent Torque	25 mN-m REF.
Rotate Direction	A-AB-B CW	Insulate Resistance	100Mohm(DC500V)
HI-POT	AC600V/1mA/1S	Insulation Class	Class B 130°C
Rotor Inertia	84.5 g-cm ² REF	Weight	0.35 Kg REF

REV.	ECN NO.	DESCRIPTION	MADE BY	APPR. BY	DATE
A	----	NEW RELEASE	Xu SD	J.B.	2/18/23

	VIEW		LDO Motors Co., Ltd.		
	SCALE		NA	Part NO.: 1.8° NEMA17 Stepper Motor LDO-42STH48-2804AC-R	
DRAWN BY	CHECKED BY	APPR. BY	DATE	FACTORY CODE	SHEET NO.
Xu SD	J.B.	J.B.	2/18/23		1/1