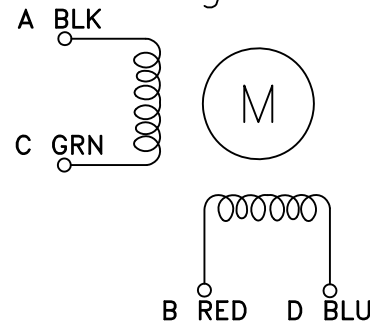




Diagram




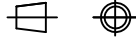
Label by laser print



**LDO MOTORS.COM**

0.9° Hybrid Stepper Motor 

LDO-42ST47-1684MAC #YYMMDD

Items	Specs	Items	Specs						
Phase Number	2 phases	Step Angle	0.9° ±5%						
Rated Voltage	2.8 VDC	Rated Current	DC 1.68 A / Phase			New Release	XSD	J. B.	9. 19. 16
Resistance(20°C)	1.65±10% Ω / phase	Inductance	2.8±20% mH / Phase	REV	ECN NO	Description	Made by	Approve	Date
Holding Torque	≥ 4.0 Kg-cm(70 Oz-in)	Detent Torque	0.2 Kg-cm REF.				<b>LDO MOTORS CO.,LTD</b>		
Rotate Direction	ABCD A CW	MAX Starting PPS	2500 PPS				<b>Hybrid Stepper Motor</b>		
MAX slewing PPS	2500 PPS	Insulation Resistance	≥100 MΩ (DC 500V)				<b>LDO-42STH47-1684MAC</b>		
HI POT	AC600V/1mA/1S	Insulation Class	Class B						
Rotor Inertia	68 g. cm <sup>2</sup>	Weigth	0.35 Kg REF.	Des.	Check	Appr.	Date	Factory Code	page