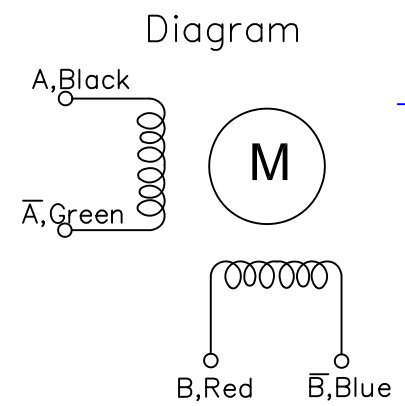


UL1332 26AWG
Teflon Wire
200 DegreeC
(KEY Feature)

Connector: Molex
50-57-9404, or
Equivalent.
(with locker tab)



0.9° HIGH TEMPERTURE VERSION

Items	Specs	Items	Specs
Phase Number	2 phases	Step Angle	1.8° ±5%
Rated Voltage	DC 4.1V	Rated Current	DC 1.0 A /Phase
Resistance(20°C)	4.1±10% Ω / phase	Inductance	11.5±20% mH / Phase
Holding Torque	≥0.39N.m	Insulation Resistance	≥ 100 MΩ (DC 500V)
Rotate Direction	A-AB-B- CW	Weight	0.28 Kg REF.
HI POT	AC600V/1mA/1S	Insulation Class	Class H 180°C

REV	ECN NO	Description	Made by	Approve	Date
A	---	New Release.	SD XU	J. B.	9/8/19

			LDO MOTORS CO.,LTD		
			0.9° HIGH TEMPERATURE LDO-42STH40-1004MAH		
Des.	Check	Appr.	Date	Factory Code	page