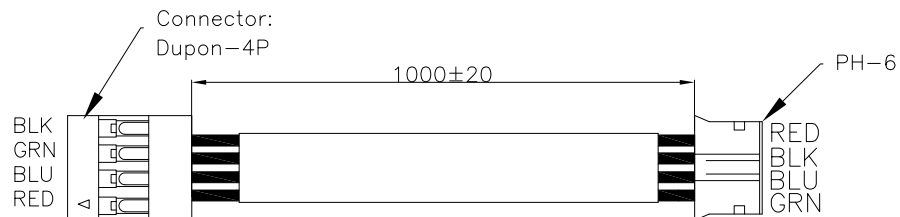
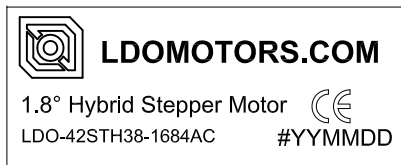
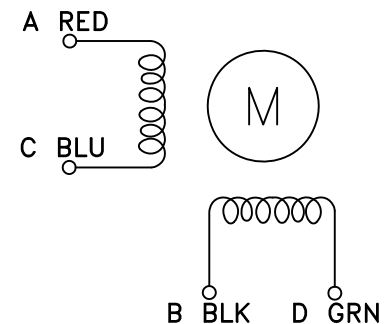


Label by laser print



Diagram



Items	Specs	Items	Specs						
Phase Number	2 phases	Step Angle	1.8° ±5%						
Rated Voltage	2.8 VDC	Rated Current	DC 1.68 A / Phase	A	---	New Release	Xu SD	J. B.	3. 28. 19
Resistance(20°C)	1.65±10% Ω / phase	Inductance	3.6±20% mH / Phase	REV	ECN NO	Description	Made by	Approve	Date
Holding Torque	≥3.6 Kg-cm	Detent Torque	0.15 Kg-cm REF.				<b>LDO MOTORS CO.,LTD</b> <b>Hybrid Stepper Motor</b> <b>LDO-42STH38-1684AC (TIM)</b>		
Rotate Direction	ABCD CW	MAX Starting PPS	≥2500 PPS						
MAX slewing PPS	≥2500 PPS	Insulation Resistance	≥100 MΩ (DC 500V)						
HI POT	AC600V/1mA/1S	Insulation Class	Class B						
Rotor Inertia	54 g. cm <sup>2</sup>	Weigth	0.28 Kg REF.	Des.	Check	Appr.	Date	Factory Code	page 1/1