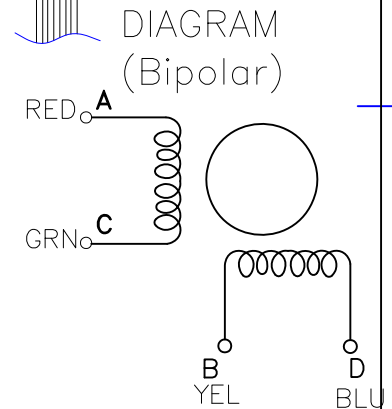
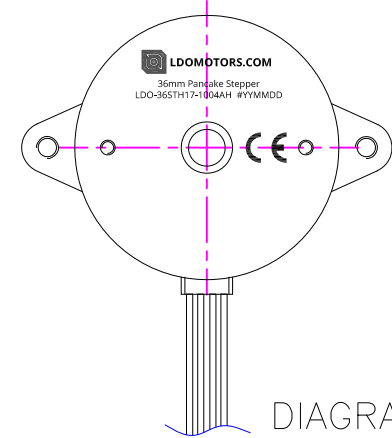
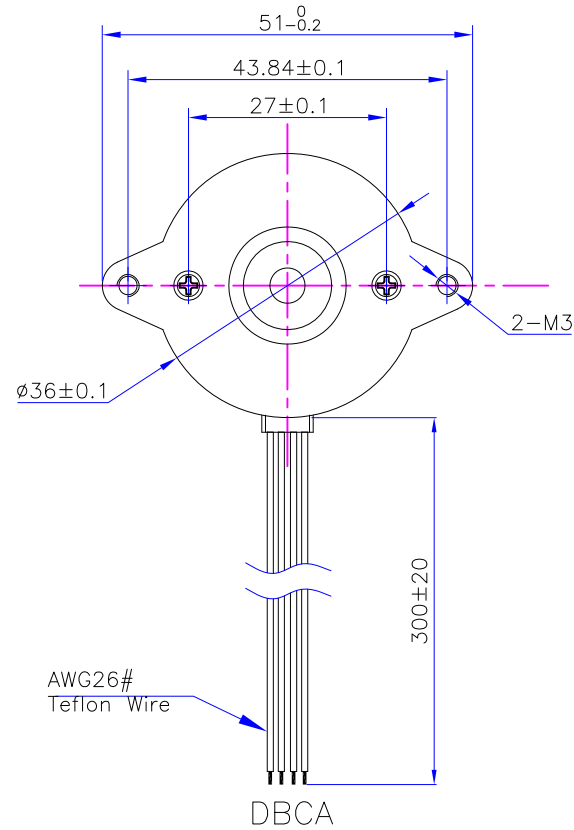
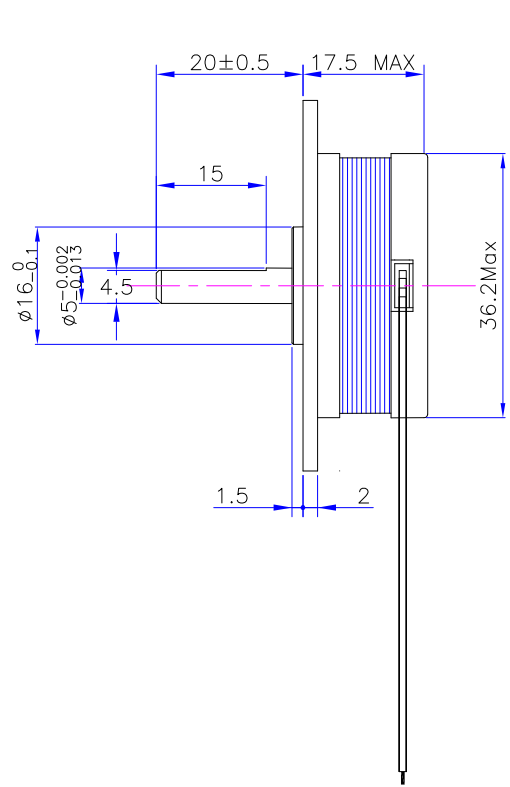


HT Stepper: (180 °C)



Items	Specs	Items	Specs
Phase Number	2 phases	Step Angle	1.8° ± 5%
Rated Voltage	10VDC	Rated Current	DC 1.0A / Phase
Resistance(20°C)	10 × (1 ± 10%) Ω / phase	Inductance	6.0 × (1 ± 20%) mH / Phase
Holding Torque	≥ 100 mNm	Detent Torque	5 mNm REF.
Rotate Direction	A-AB-B-CW	MAX Starting PPS	≥ 1400 PPS
MAX slewing PPS	≥ 2000 PPS	Insulation Resistance	≥ 100 MΩ (DC 500V)
HI POT	AC600V/1mA/1S	Insulation Class	Class H 180 °C
Rotor Inertia	13.7 g.cm ²	Weigth	70 g REF.

A		Description		XuSD		J. B.		3/13/20	
REV	ECN NO	Description		Make by	Approve	Date			
		New Release		XuSD	J. B.	3/13/20			
LDO MOTORS		Scale		LDO MOTORS CO.,LTD					
		A		36mm Pancake Stepper LDO-36STH17-1004AH					
Des.	Check	Appr.	Date	REV	Draw NO	14HY1202H-20B-300	page		