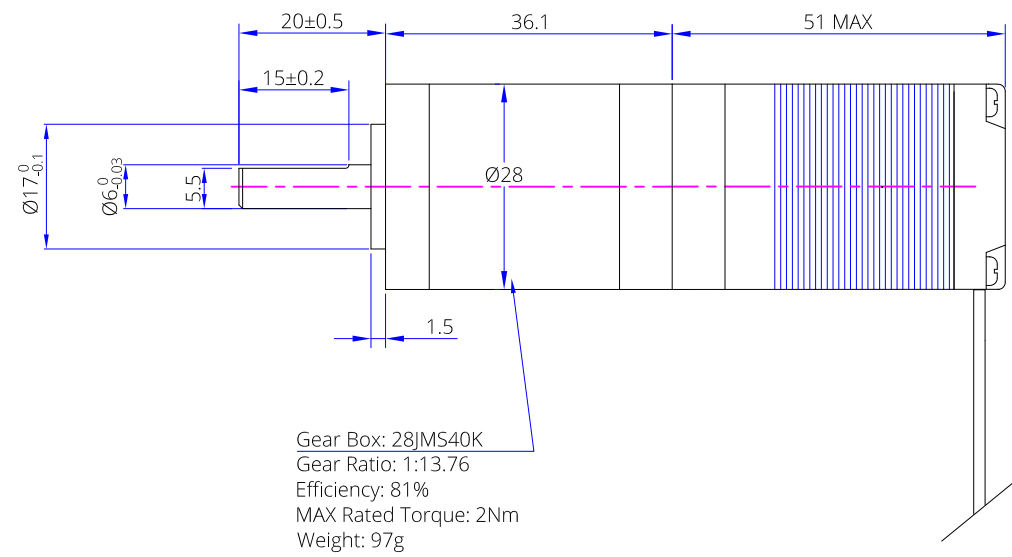
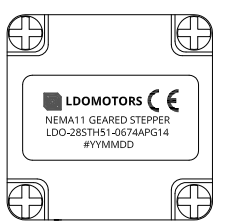
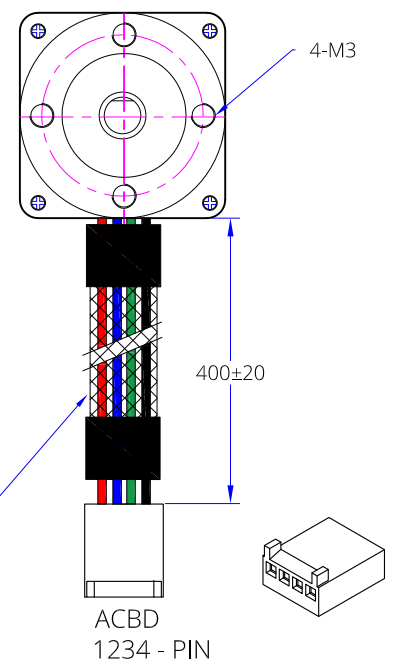


A

Label on backside.



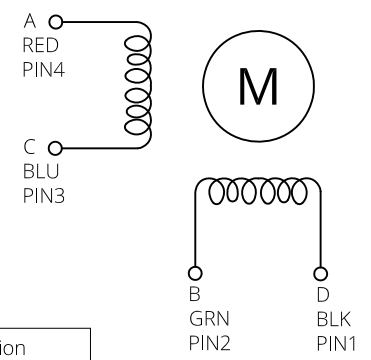
NOTE: Current stock has 300mm, connectorless cable, no sleeving



UL1430 AWG26
With Nylon Braided Sleeve
Cover Heatshrink both ends

Molex KK254 series
22013047
Or Equivalent
2510-4P

Diagram



C

Item	Specification	Item	Specification
Phase Number	2	Step Angle	1.8° ± 5%
Rated Voltage	DC 6.16V / Phase	Rated Current	DC 0.67A / Phase
Phase Resistance	9.2x(1±10%) Ω	Phase Inductance	7.2x(1±20%) mH
Holding Torque	1.2 Kgf-cm (0.12Nm)	Detent Torque	5 mN-m REF.
Rotation Direction	A-AB-BA CW	Insulation Resistance	100Mohm(DC500V)
HI-POT	AC600V/1mA/1S	Insulation Class	Class B 130°C
Rotor Inertia	18 g-cm ²	Weight	275 g REF

D

A		New Release.		Xu SD	J.B.	7/05/21
REV.	ECN NO.	DESCRIPTION		MADE BY	APPR. BY	DATE
		VIEW				
		SCALE	NA			
DRAWN BY		CHECKED BY	APPR. BY	DATE	FACTORY CODE	SHEET NO.
Xu SD		J.B.	J.B.	7/05/21		1/1

A

B

C

D