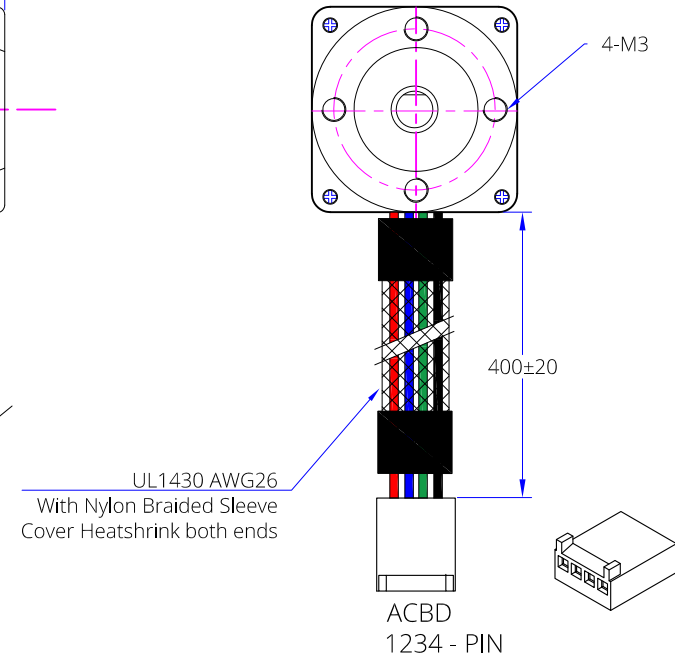
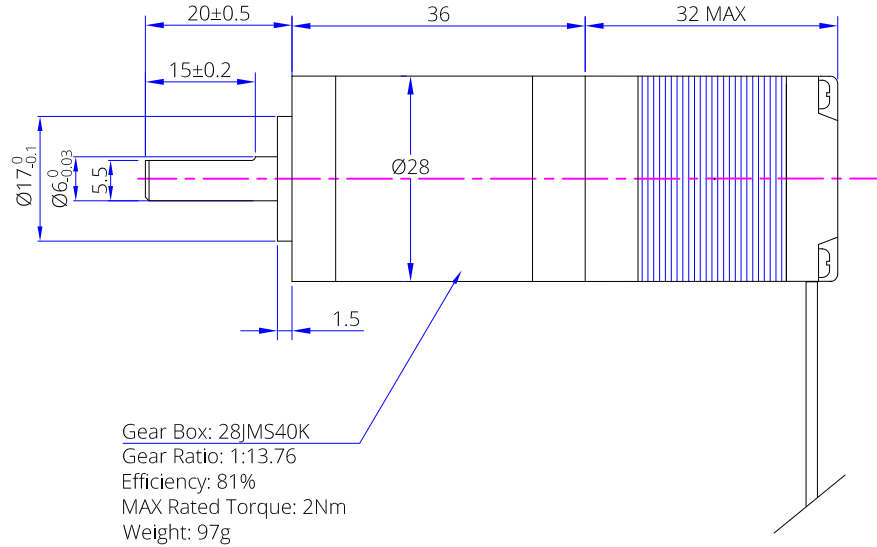
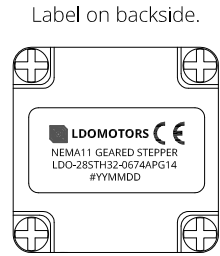
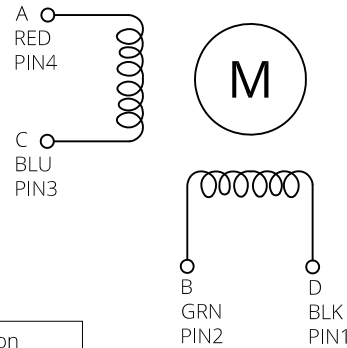


Jubilee Printer: 1 pcs Tool Changer U motor



Molex KK254 series
 22013047
 Or Equivalent
 2510-4P

Diagram



Item	Specification	Item	Specification
Phase Number	2	Step Angle	1.8° ± 5%
Rated Voltage	DC 3.75V / Phase	Rated Current	DC 0.67A / Phase
Phase Resistance	5.6x(1±10%) Ω	Phase Inductance	3.4x(1±20%) mH
Holding Torque	0.6 Kgf-cm (0.06Nm)	Detent Torque	5 mN-m REF.
Rotation Direction	A-AB-BA CW	Insulation Resistance	100Mohm(DC500V)
HI-POT	AC600V/1mA/1S	Insulation Class	Class B 130°C
Rotor Inertia	9 g-cm ²	Weight	110 g REF

REV.	ECN NO.	DESCRIPTION	MADE BY	APPR. BY	DATE
A	---	New Release.	Xu SD	J.B.	7/27/20

VIEW

SCALE

NA

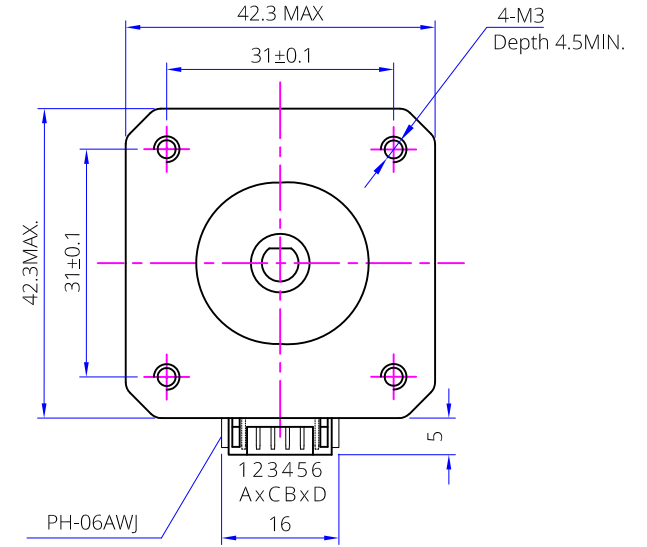
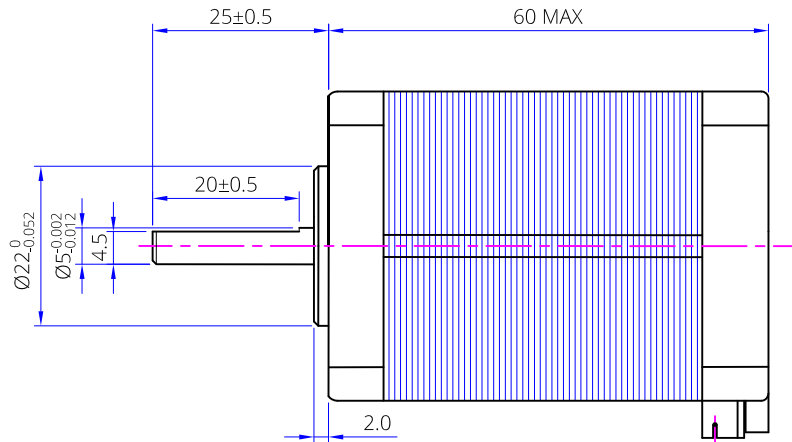
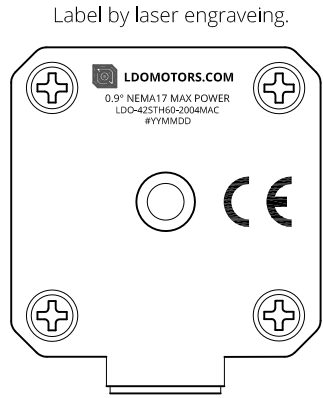
LDO Motors Co., Ltd.

Part NO.

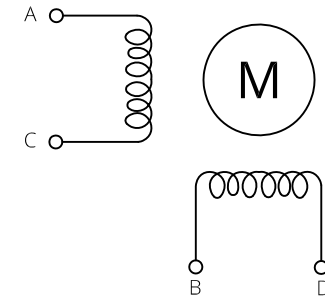
NEMA11 Geared Stepper Motor
LDO-28STH32-0674APG(JBL)

DRAWN BY	CHECKED BY	APPR. BY	DATE	FACTORY CODE	SHEET NO.
Xu SD	J.B.	J.B.	7/27/20		1/1

Jubilee Printer: 2pcs XY Motor



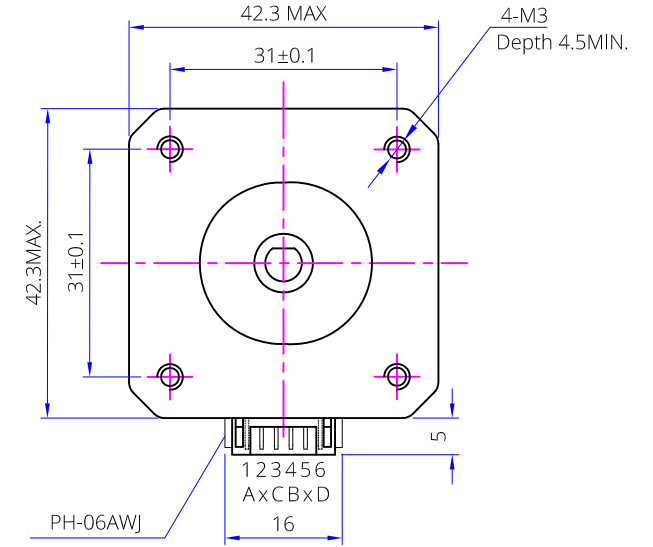
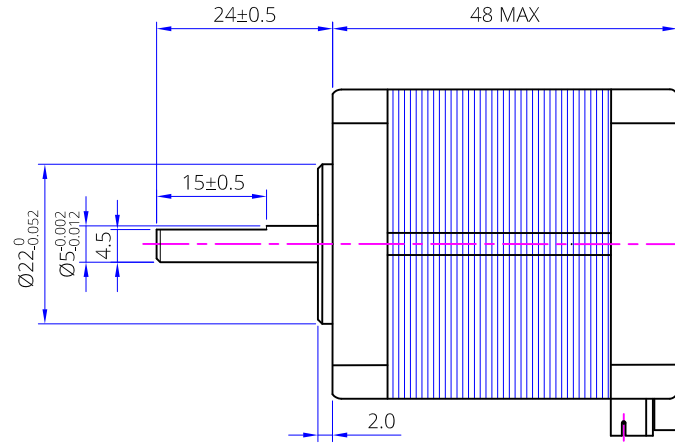
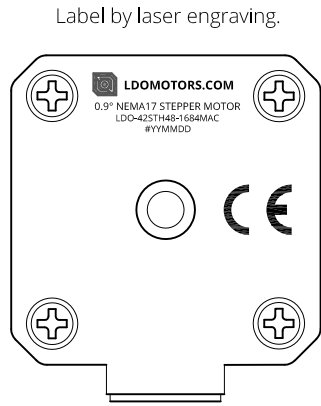
Diagram



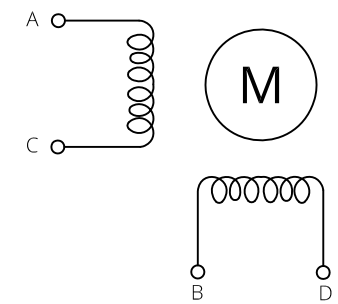
Item	Specification	Item	Specification
Phase Number	2	Step Angle	0.9° ± 5%
Rated Voltage	DC 2.8V / Phase	Rated Current	DC 2.0A / Phase
Phase Resistance	1.4x(1±20%) Ω	Phase Inductance	3.0x(1±20%) mH
Holding Torque	6.0 Kgf-cm (0.6Nm)	Detent Torque	30 mN-m REF.
Rotation Direction	A-AB-BA CW	Insulation Resistance	100Mohm(DC500V)
HI-POT	AC600V/1mA/1S	Insulation Class	Class B 130°C
Rotor Inertia	120 g-cm ²	Weight	0.5 Kg REF

A		New Release.		Xu SD	J.B.	7/24/20
REV.	ECN NO.	DESCRIPTION		MADE BY	APPR. BY	DATE
		VIEW	LDO Motors Co., Ltd.			
		SCALE	Part NO. NEMA17 Stepper Motor LDO-42STH60-2004MAC			
DRAWN BY	CHECKED BY	APPR. BY	DATE	FACTORY CODE	SHEET NO.	
Xu SD	J.B.	J.B.	7/24/20		1/1	

Jubilee Printer: 3pcs Z Motor

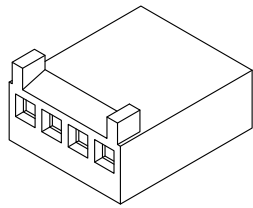


Diagram

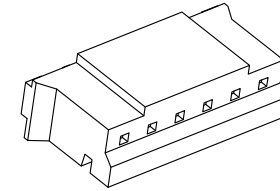
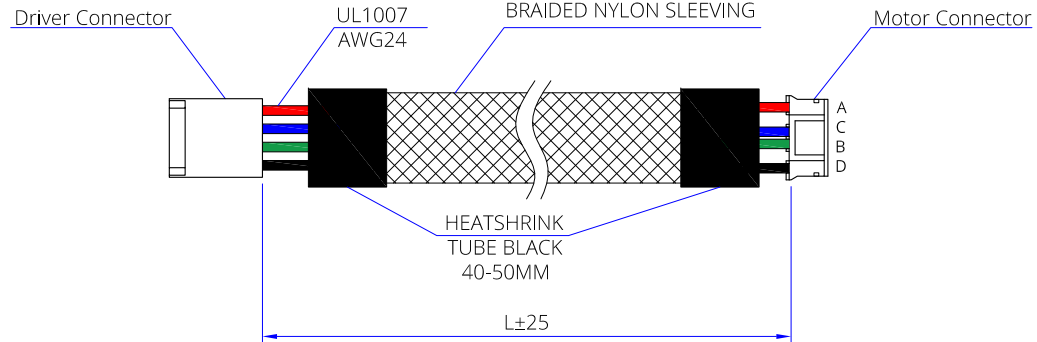


Item	Specification	Item	Specification
Phase Number	2	Step Angle	0.9° ± 5%
Rated Voltage	DC 2.8V / Phase	Rated Current	DC 1.68A / Phase
Phase Resistance	1.65x(1±20%) Ω	Phase Inductance	2.8x(1±20%) mH
Holding Torque	4.4 Kgf-cm (0.44Nm)	Detent Torque	20 mN-m REF.
Rotation Direction	ACBDA CW	Insulation Resistance	100Mohm(DC500V)
HI-POT	AC600V/1mA/1S	Insulation Class	Class B 130°C
Rotor Inertia	68 g-cm ²	Weight	0.35 Kg REF

A		New Release.		Xu SD	J.B.	7/24/20
REV.	ECN NO.	DESCRIPTION		MADE BY	APPR. BY	DATE
		VIEW	LDO Motors Co., Ltd.			
		SCALE	Part NO. NEMA17 Stepper Motor LDO-425TH48-1684MAC			
DRAWN BY	CHECKED BY	APPR. BY	DATE	FACTORY CODE	SHEET NO.	
Xu SD	J.B.	J.B.	7/24/20		1/1	



Molex KK254 series
22013047
Or Equivalent
2510-4P

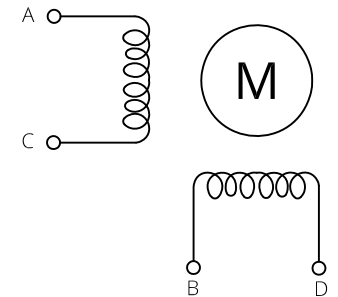


JSP PH-6
or Equivalent

Included 5 motor cables with different length:

- 1, L=150mm LDO-JBL-MCB-150
- 2, L=350mm LDO-JBL-MCB-350
- 3, L=650mm LDO-JBL-MCB-650
- 4, L=1050mm LDO-JBL-MCB-1050
- 5, L=1250mm LDO-JBL-MCB-1250

Diagram



A	---	New Release.		Xu SD	J.B.
REV.	ECN NO.	DESCRIPTION		MADE BY	APPR. BY
		VIEW	LDO Motors Co., Ltd. Part NO.		
		SCALE	Jubilee Motor Kit Cables LDO-JBL-MCB		
DRAWN BY	CHECKED BY	APPR. BY	DATE	FACTORY CODE	SHEET NO.
Xu SD	J.B.	J.B.	7/27/20		1/1