



ENGINEERING BETTER BEER

Brew Cube | Product Guide



WARNING

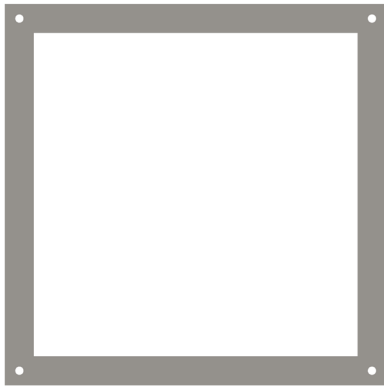
Serious or fatal crushing injuries can occur from improper use or insufficient assembly. Read this guide in its entirety and ensure proper assembly before use.

Single Cube Maximum Load: 300 lbs
Shelf Load Rating: 50 lbs
Maximum Width of Load: 19.7 inches

- This product is intended for use as a brewing stand to support kettles in compliance with the stated maximum load and width specifications.
- This product is not intended for use by children or persons with reduced physical, sensory, or mental capabilities.
- Do not exceed the maximum load nor load-width ratings for this product.
- Only use this product on firm, level ground.
- Do not stand on this product or step on the shelves.
- When casters are installed, apply brakes when not moving and before loading.
- Never transport this product when loaded.
- Kettles should be empty prior to placing them onto this product.
- Refer to the Brew Cube Accessories guide if assembling additional accessories onto this product

OVERVIEW

IN THE BOX

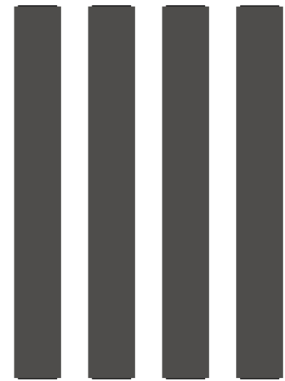


(2) **Frame**



(1) **Top Plate | Solid**

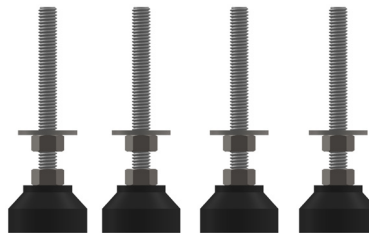
Note: Additional plates sold separately



(4) **12" Leg**



(4) **3/8" - 16 x 2" Stainless Steel Frame Screws**



(4) **Threaded Foot**



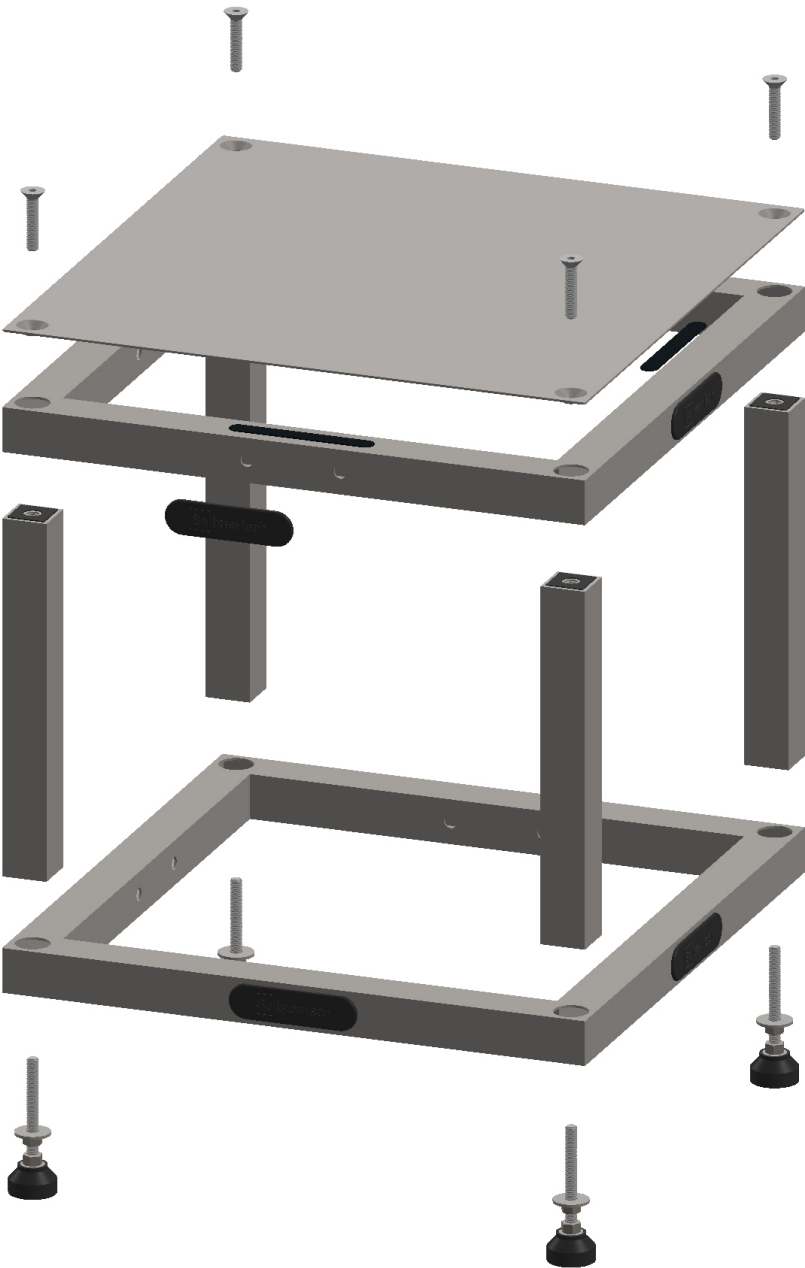
(8) **Silicone Hole Plug**



(8) **Silicone Strip**

OVERVIEW

FRAME ASSEMBLY

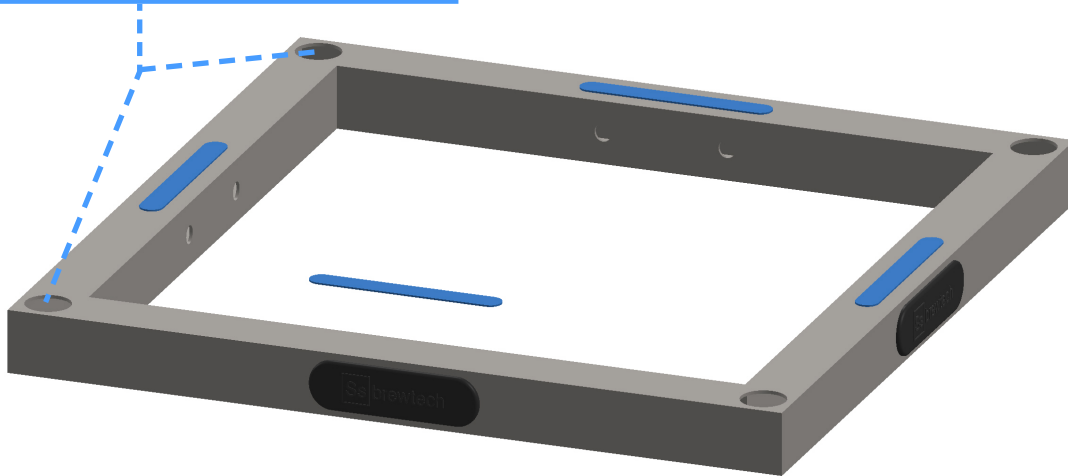


INSTRUCTIONS

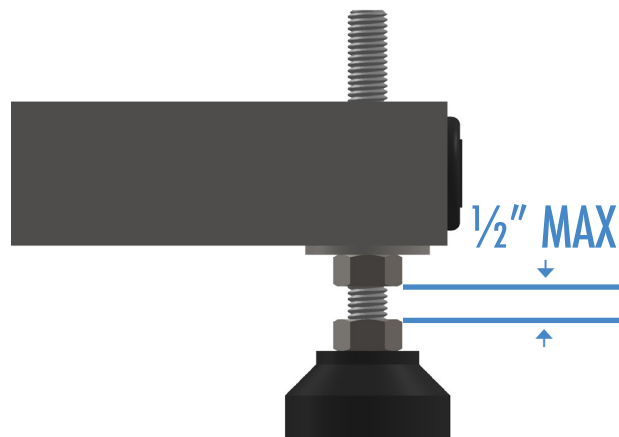
FRAME ASSEMBLY

1. Apply a **Silicone Strip** to the top surface on each member of the square top **Frame** (4 strips per frame). If an additional **Plate** will be used, also apply a **Silicone Strip** to each member of the square bottom **Frame**.

Note: Top surface has the large corner holes



2. Insert the **Threaded Feet** through the corner holes on the bottom side of the bottom **Frame** (opposite the side that has the **Silicone Strips** applied). The washer on the **Threaded Feet** should be in direct contact with the bottom face of the bottom **Frame**.



Note: 1/2" max distance between the nuts on the base foot

3. If an additional plate will be used, position the countersinks of the **Bottom Plate** over the large holes on the bottom **Frame**.

4. While holding the leg steady, thread the **Threaded Feet** into the **Legs** to fasten the **Leg** and bottom **Frame** together. It is recommended to not twist the **Legs** during assembly to prevent detachment of the silicone at each end of the **Legs**. Wait to fully tighten the **Threaded Feet** until step 9.

INSTRUCTIONS

FRAME ASSEMBLY (CONTINUED)



5. Place top **Frame** onto the **Legs** with the **Silicone Strips** facing up.
6. Position the countersinks of the **Top Plate** over the large holes on the top **Frame**.
7. Use the four 3/8" - 16 x 2" **Stainless Steel Frame Screws** to secure the **Top Plate** and **Frame** to the **Legs**.
8. Fully tighten the screws until just past snug. Do not overtighten.
9. Fully tighten the nuts on the **Threaded Feet** until just past snug. Do not overtighten.
10. Insert the **Silicone Plugs** into any of the external accessory mounting holes in the top and bottom **Frame**.



COMPLETED ASSEMBLY



COMBINING BREW CUBES

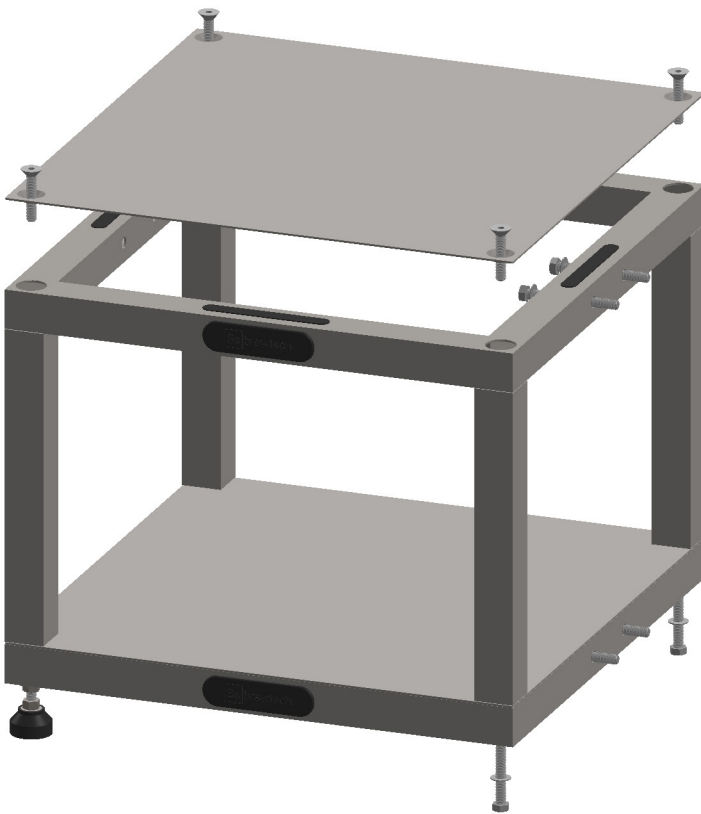
COMPONENTS SHOWN

(2) 12" Brew Cube Kit

(1) Connection Bolts Kit

(2) extra Top Plate (*optional*)

FRAME ASSEMBLY



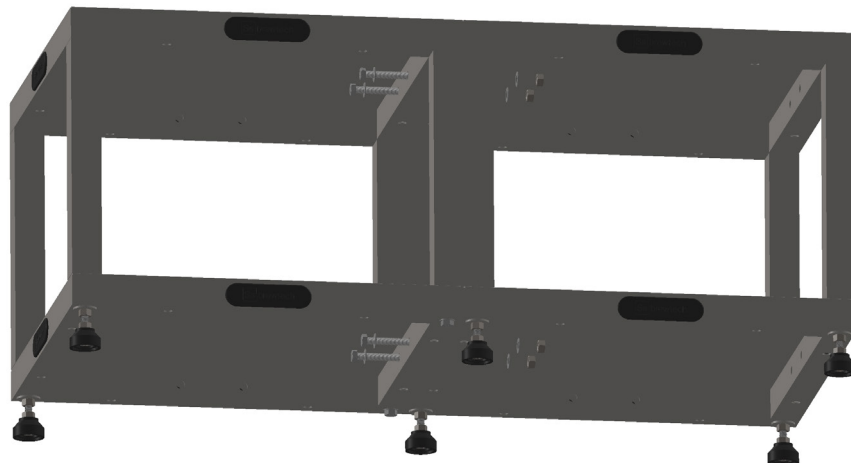
COMBINING BREW CUBES

1. Refer to the **Brew Cube Product Guide** for assembly of the first **Brew Cube**. The top and bottom holes on one side of the **Brew Cube** will be used for the attachment hardware. **Silicone Hole Plugs** will not be needed on this side.

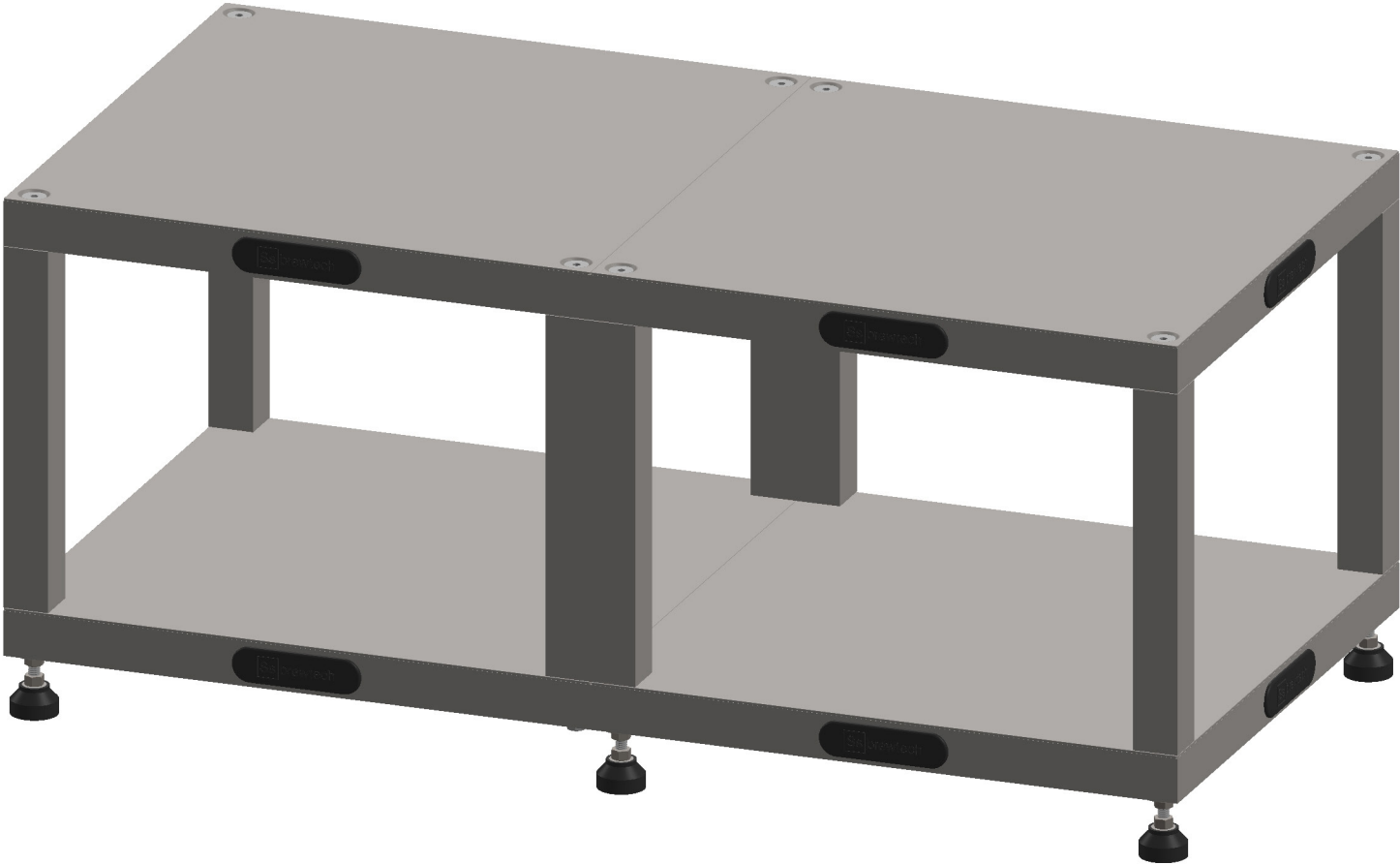


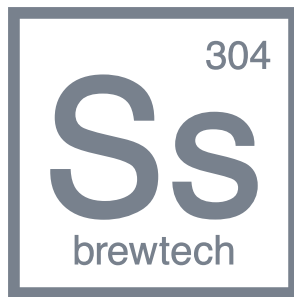
2. For the second **Brew Cube**, use (2) 3/8"-16x2-1/4" screw and washer assemblies in place of two **Threaded Feet** as shown above. The top and bottom holes on one side of the **Brew Cube** will be used for the connection hardware. **Silicone Hole Plugs** will not be needed on this side.

3. Lay both **Brew Cubes** on their side and assemble the (4) 3/8"-16x3-1/2" screw, washer, and nut assemblies on the top and bottom holes as shown. Wait to fully tighten the hardware until all four screws have been installed. Fully tighten the hardware until just past snug. Do not overtighten.



COMPLETED ASSEMBLY





SsBrewtech.com

REV 05132022