



ENGINEERING BETTER BEER

eController Wall Mount Guide

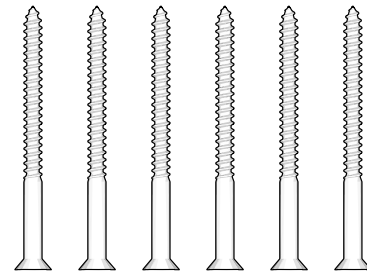
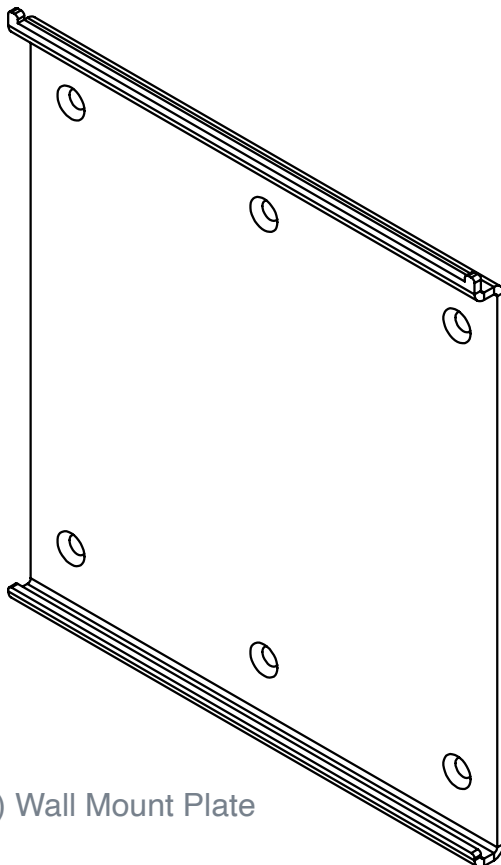
SAFETY INFORMATION AND SPECIFICATIONS

CAUTION: Do not use this product for any purpose not explicitly specified by Ss Brewtech. Improper installation may cause property damage or personal injury. If you do not understand these directions or have doubts about the safety of the installation, contact Customer Service or call a qualified contractor. Ss Brewtech is not responsible for damage or injury caused by incorrect installation or use.

TOOLS NEEDED

- Edge-to-edge stud finder
- Pencil
- Level
- Drill
- 3/32" wood drill bit for wood stud wall
- Measuring tape
- 3mm allen key

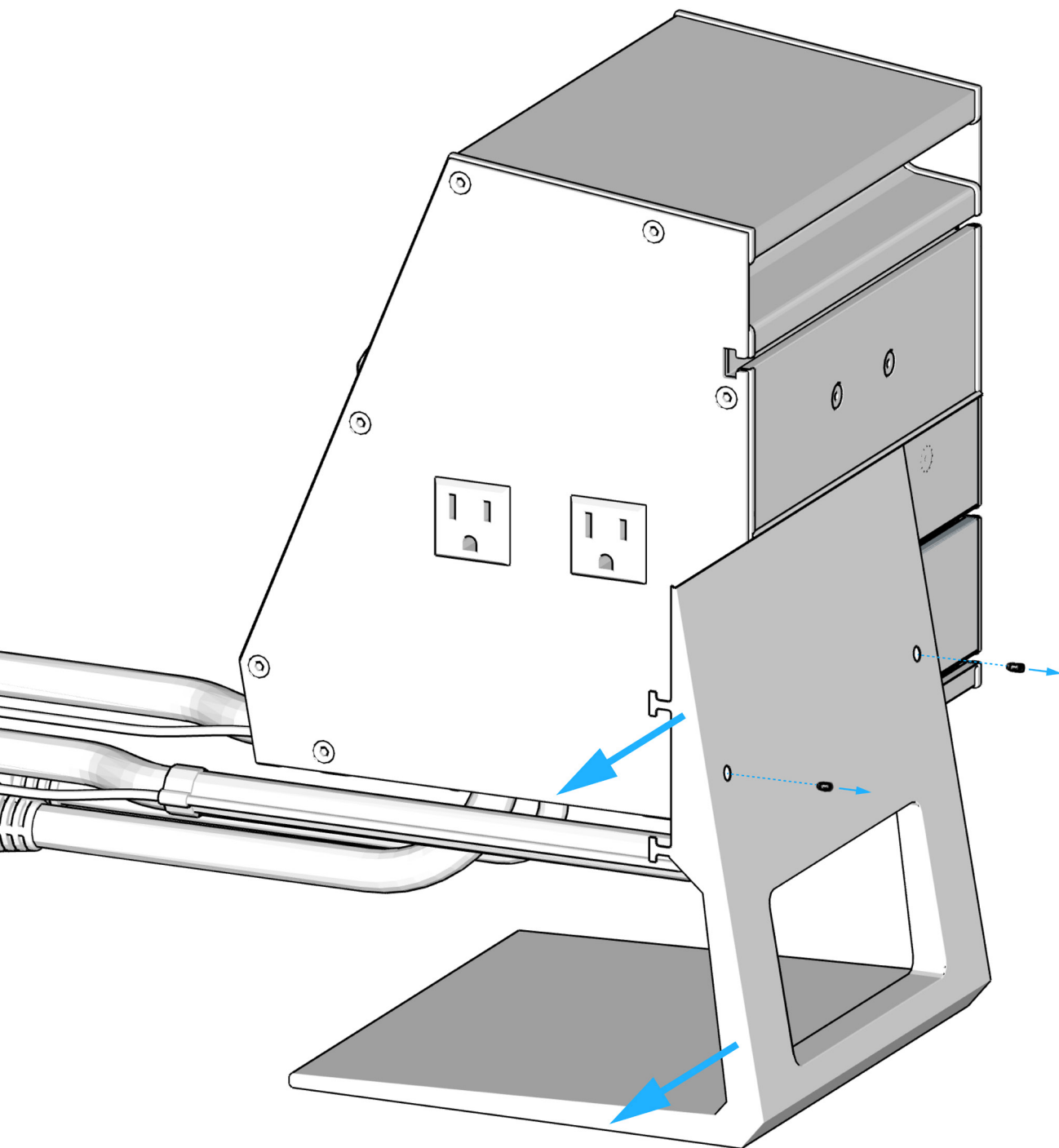
IN THE BOX



(6) No. 6 Wood Screws

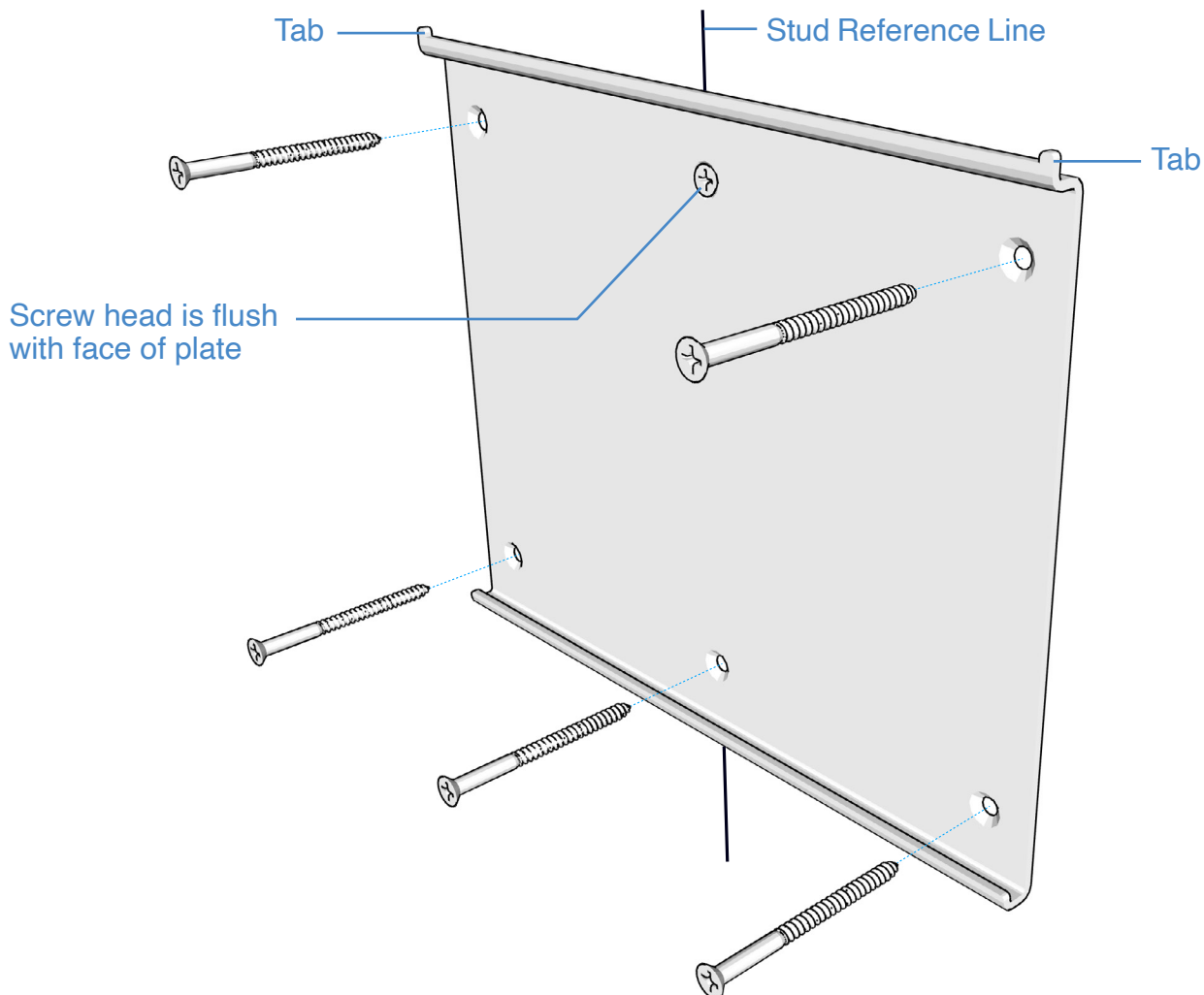
BASE REMOVAL

1. Reposition the eController power cords to the front of the unit so they no longer pass through the opening in the base.
2. Use a 3mm hex key to remove the 2 set screws from the back of the base that thread into the eController.
3. Carefully slide the base off the eController.



INSTALLATION

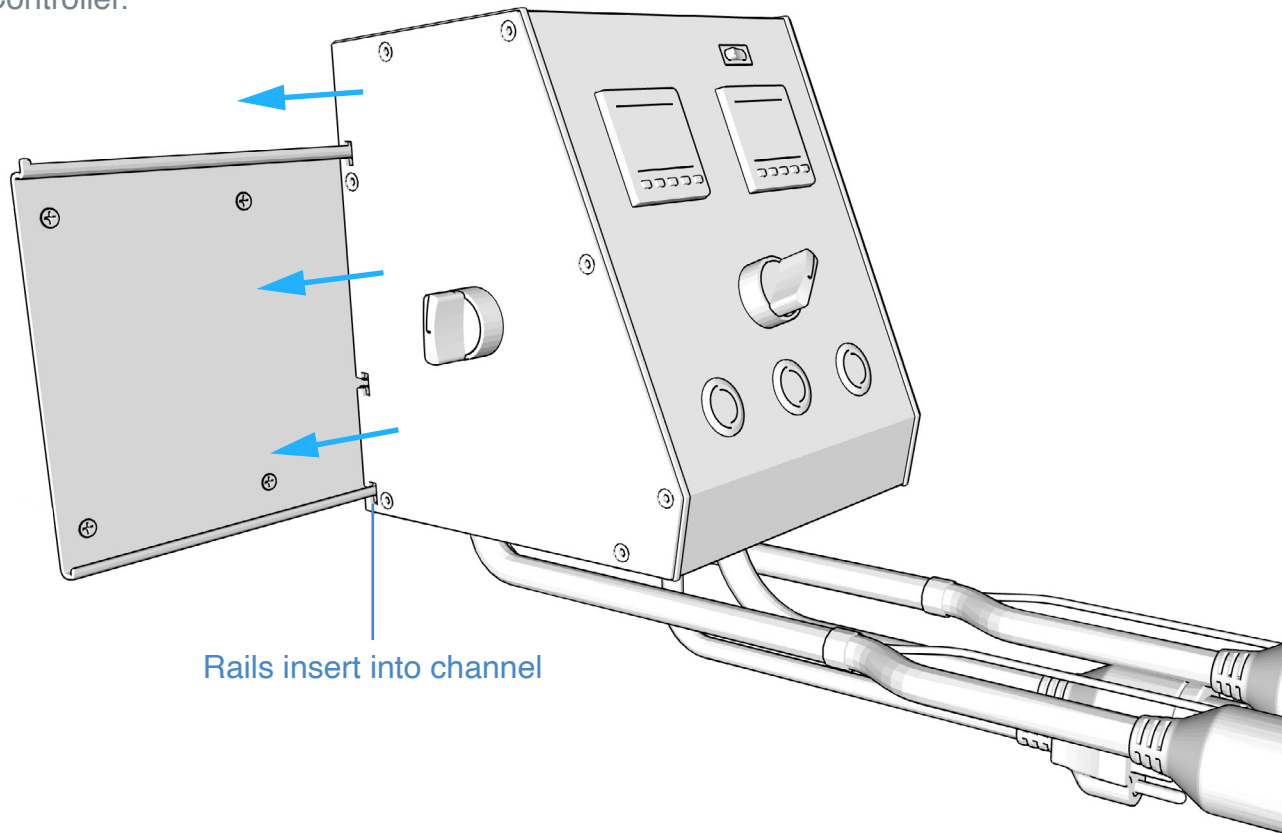
1. Determine wall mount location and find a stud in the wall using an edge-to-edge stud finder.
2. Once a stud has been found, mark the stud location on the wall. Use a level and the wall mount as a guide to determine where holes will need to be drilled as well as final hanging placement of eController. The two center holes on mounting plate must fall on top of a stud.
3. Use a drill with a 3/32" wood drill bit to drill pilot holes for the screws.
4. Align the mounting plate with the pilot holes in the wall. Be sure the tabs on the rail are facing up as these are used to secure eController in place on the rail.
5. Start with the two center mounting plate holes and use the No. 6 wood screws that were provided to secure the mounting plate to a stud in the wall. For the screws that do not mount into a stud, follow standard installation practices for fastening to drywall using drywall anchors or similar screw anchor devices. Recheck mounting plate with a level to ensure it is level once installation is complete.



NOTE: Due to manufacturing variances in the screws provided with this kit, the screw head may sit as much as 1/32" above the mount, but the eController will still be able to slide onto the rail without interfering with the screw heads.

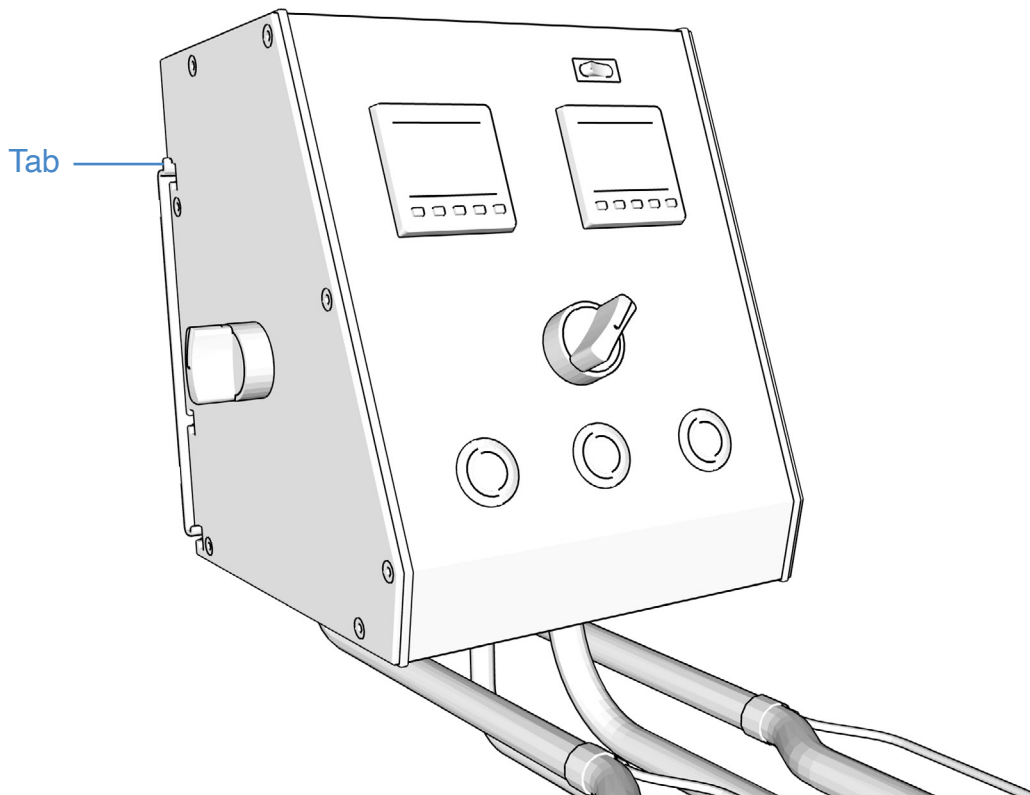
INSTALLATION (CONTINUED)

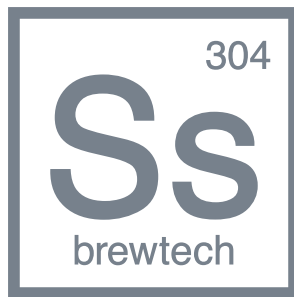
6. Once the wall mount plate has been secured to the wall, the eController can slide onto the rails of the mounting plate. Make sure the unit is resting on both upper and lower rails using the channels on the back of the eController.



Rails insert into channel

7. Slide the eController on the rail until the side plate contacts the tab on the rail. Once the eController contacts the tab on the rail, the eController should slightly drop down (about 1/8") in between the tabs on either side of the rail. These tabs are what prevent the eController from sliding off the mount during use.





SsBrewtech.com