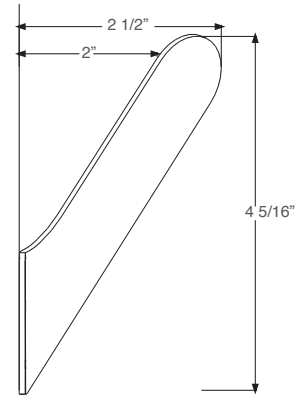
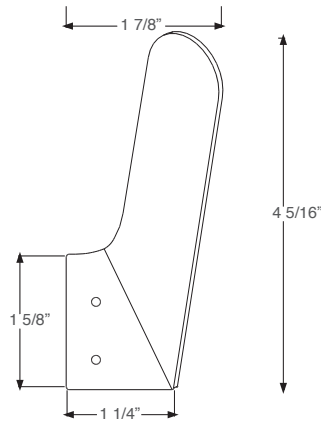
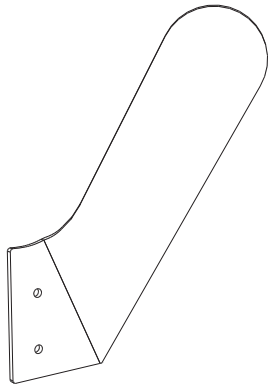


Merkled Tiny Hooks - Spec Sheet



Aluminum:

Size: 1 7/8" x 4 5/16" x 2 1/2" (from wall)
 Weight: 0.9 oz
 Directions: left or right
 Available Colors: grey, white, burnt orange, violet, green, turquoise, mint green
 Materials: powder-coated aluminum

Brass or Stainless:

Size: 1 7/8" x 4 5/16" x 2 1/2" (from wall)
 Weight: 2 oz
 Directions: left or right
 Materials: solid brass or stainless with satin finish
 Includes: 2 brass or stainless screws and drywall anchors

Ideas for display:



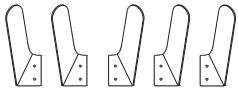
Single Left



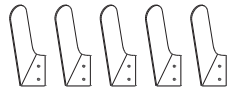
Single Right



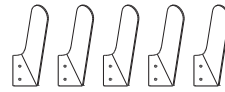
Antler



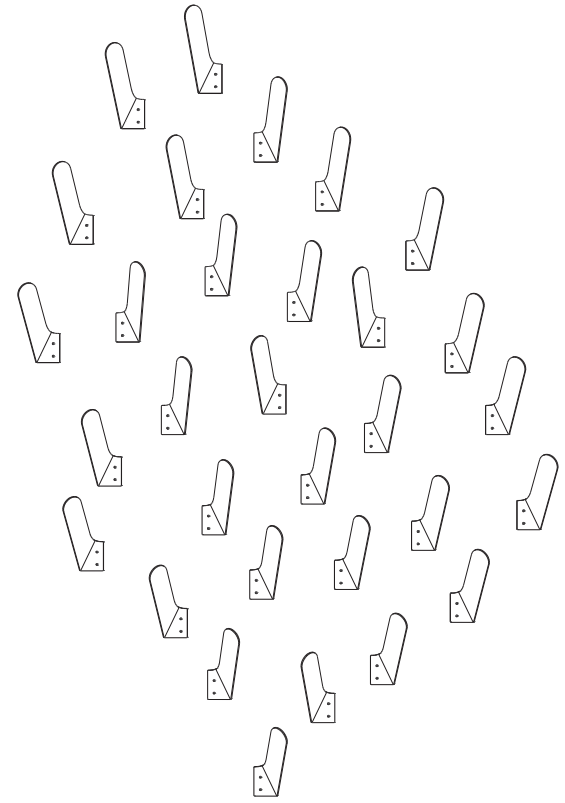
Row Mix



Row Left



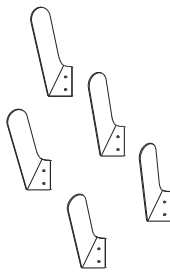
Row Right



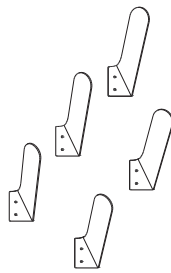
Cluster Mix



Tree



Cluster Left



Cluster Right

Commercial grade - used in gyms, educational, hotels, restaurants, offices, workspaces, bathrooms, pools

Hardware Recommendations:

*Hooks have total weight bearing capacity of 25 lbs when proper anchors are used.

*Designed for screws #6 - #8.

*Recommended to use best anchors and hardware for your wall surface - the coat hooks will only be as strong as the anchors you use to attach to surface. If unsure check with your local hardware store for advice or feel free to contact us for suggestions.