

MX10
10 Inch MidBass Speaker
Ø 3.5 Inch Voice Coil 8Ω



SPECIFICATIONS

General Data

Overall Dimensions	D×H	260mm×128mm
Nominal Power Handling	P	500W
Maximum Power		1000W
Sensitivity 2.83V / 1 M	dB	96.2 dB
Frequency Response		68-4.5KHz
Cone Material		Paper Cone
Net Weight	Kg	8.77kg

Electrical Data

Nominal Impedance	Z	8 Ohm
DC Resistance	Re	5 Ohm

Voice Coil and Magnet Parameters

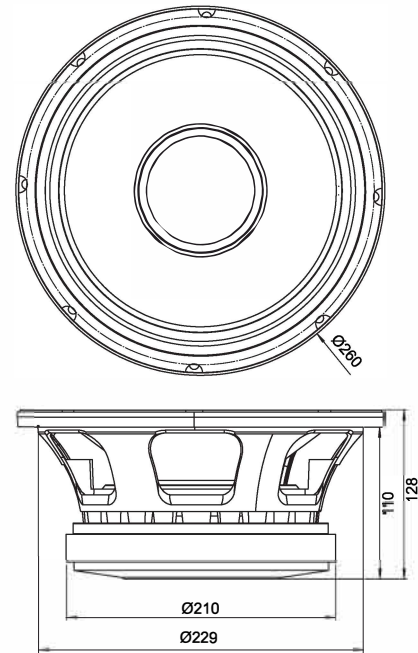
Voice Coil Diameter	DIA	89 mm (3.5")
Voice Coil Height		14mm (0.55")
HE Magnetic Gap Height	HE	8 mm (0.24")
Max.Linear Excursion	X	3 mm (0.12")
Voice Coil bobbin		TBH
Voice Coil Wire		CCAW
Number Of Layers		2
Magnet System Type		High Flux Ferrite
BL Product	BL	17.2

T-S Parameters

Suspension Compliance	Cms	0.126
Mechanical Q Factor	Qms	5.6
Electrical Q Factor	Qes	0.306
Total Q Factor	Qts	0.29
Moving Mass	Mms	42.3g
Eq.Cas Air Load(liters)	VAS	21.4 L
Resonant Frequency	Fs	68 Hz
Effective Piston Area	SD	346.3cm ²

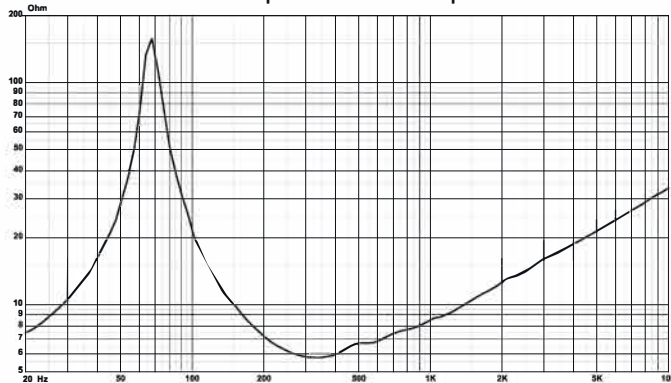
FEATURES

- * Dia-Cast Aluminum Basket
- * High Flux Ferrite Magnet System
- * 3.5 Inch Voice Coil
- * 1000 Watts Peak Power Handling

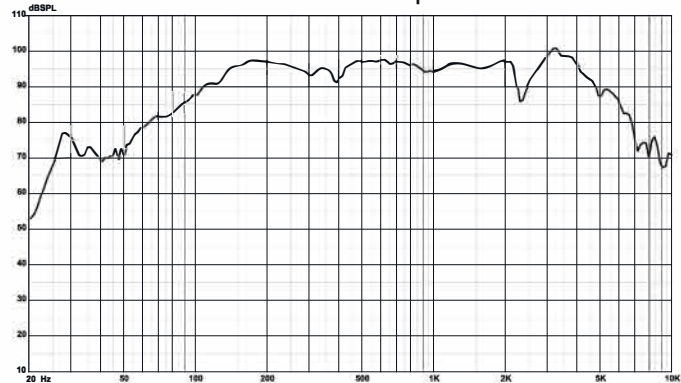


unit:mm

Impedance vs Freq



SPL vs Freq



Audio Legion
www.audioleonusa.com