

MG8
8 Inch Midrange Speaker
Ø 2.5 Inch Voice Voil 4Ω



SPECIFICATIONS

General Data

Overall Dimensions	D×H	210mm×98mm
Nominal Power Handling(DIN)	P	150W
Maximum Power		300W
Sensitivity 2.83V / 1 M	dB	95dB
Frequency Response		93-10KHz
Cone Material		Paper Cone
Net Weight	Kg	2.05kg

Electrical Data

Nominal Impedance	Z	4 Ohm
DC Resistance	Re	3.0 Ohm
Voice Coil Inductance @ 1KHz	LBM	0.04mH

Voice Coil and Magnet Parameters

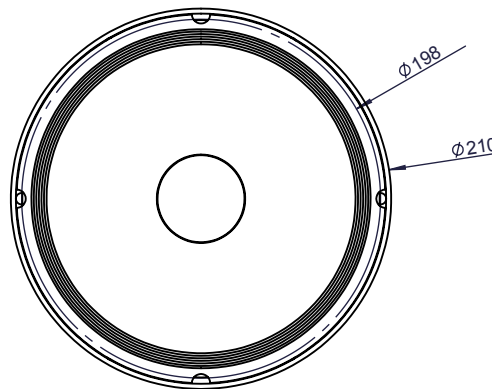
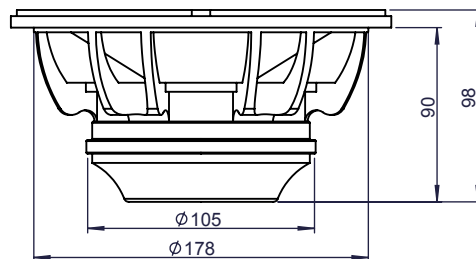
Voice Coil Diameter	DIA	61.1 mm (2.5")
Voice Coil Height		10.7mm (0.47")
HE Magnetic Gap Height	HE	8 mm (0.24")
Max.Linear Excursion	X	1.35 mm (0.053")
Voice Coil bobbin		KAPTON
Voice Coil Wire		CCAW
Number Of Layers		2
Magnet System Type		Neodymium
BL Product	BL	8.879

T-S Parameters

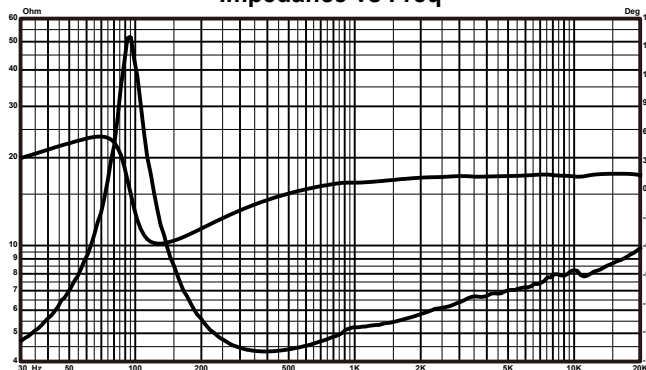
Suspension Compliance	Cms	156.11
Mechanical Q Factor	Qms	4.82
Electrical Q Factor	Qes	0.414
Total Q Factor	Qts	0.38
Moving Mass	Mms	18.48
Eq.Cas Air Load(liters)	VAS	10.13 L
Resonant Frequency	Fs	93 Hz
Effective Piston Area	SD	213cm ²

FEATURES

- * Dia-Cast Aluminum Basket
- * High Flux Neodymium Magnet System
- * 2.5" Voice Coil
- * 300 Watts Peak Power Handling



Impedance vs Freq



SPL vs Freq

