

MG6
6 Inch Midrange Speaker
Ø 1.5 Inch Voice Coil 4Ω



SPECIFICATIONS

General Data

Overall Dimensions	D×H	165mm×81mm
Nominal Power Handling(DIN)	P	100W
Maximum Power		200W
Sensitivity 2.83V / 1 M	dB	96.3dB
Frequency Response		148-10KHz
Cone Material		Paper Cone
Net Weight	Kg	1.33kg

Electrical Data

Nominal Impedance	Z	4Ohm
DC Resistance	Re	3.2 Ohm
Voice Coil Inductance @ 1KHz	LBM	0.024mH

Voice Coil and Magnet Parameters

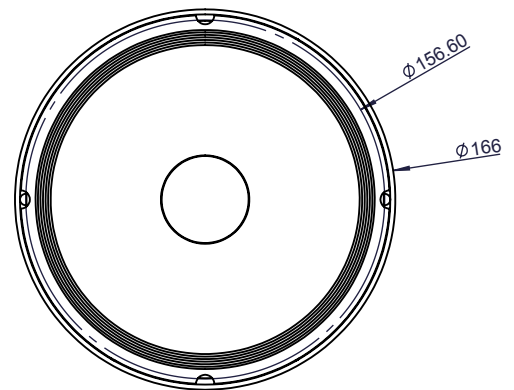
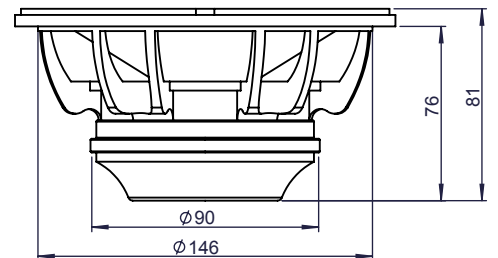
Voice Coil Diameter	DIA	38.6 mm (1.5")
Voice Coil Height		8mm (0.47")
HE Magnetic Gap Height	HE	8 mm (0.24")
Max.Linear Excursion	X	0 mm (0")
Voice Coil bobbin		Glass fiber
Voice Coil Wire		CCAW
Number Of Layers		2
Magnet System Type		Neodymium
BL Product	BL	8.425

T-S Parameters

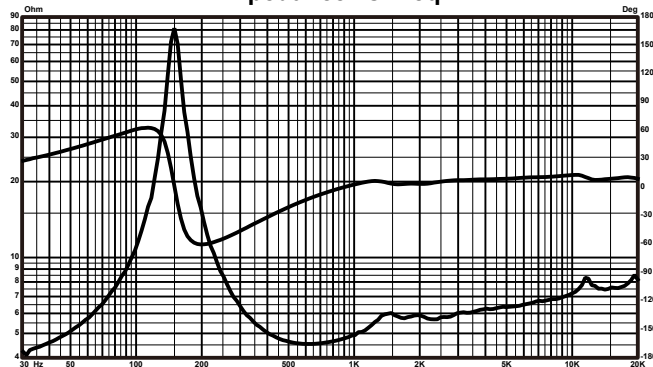
Suspension Compliance	Cms	123.75
Mechanical Q Factor	Qms	6.542
Electrical Q Factor	Qes	0.39
Total Q Factor	Qts	0.368
Moving Mass	Mms	9.246 g
Eq.Cas Air Load(liters)	VAS	3.29L
Resonant Frequency	Fs	148 Hz
Effective Piston Area	SD	136cm ²

FEATURES

- * Dia-Cast Aluminum Basket
- * High Flux Neodymium Magnet System
- * 1.5" Voice Coil
- * 200 Watts Peak Power Handling



Impedance vs Freq



SPL vs Freq

