

CMG68
6*8 Inch 2-Way Car Coaxial Speaker
Ø 1.2 Inch Voice Coil 4Ω



SPECIFICATIONS

General Data

Overall Dimensions		237×165×93mm
Nominal Power Handling(DIN)	P	50W
Maximum Power		100W
Sensitivity 2.83V / 1 M	dB	89dB
Frequency Response		60-20KHz
Cone Material		Fiber Cone
Net Weight	Kg	1.09kg

Electrical Data

Nominal Impedance	Z	4 Ohm
DC Resistance	Re	3.4 Ohm
Voice Coil Inductance @ 1KHz	LBM	

Voice Coil and Magnet Parameters

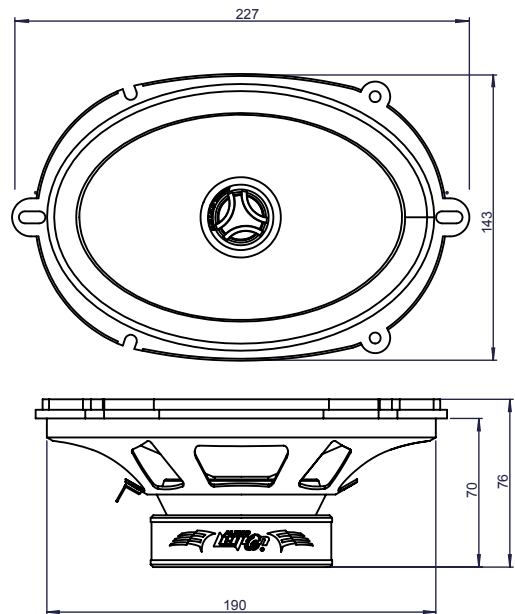
Voice Coil Diameter	DIA	30.5 mm (1.2")
Voice Coil Height		10.7mm (0.42")
HE Magnetic Gap Height	HE	5 mm (0.19")
Max.Linear Excursion	X	2.85 mm (0.11 ")
Voice Coil bobbin		KAPTON
Voice Coil Wire		Copper
Number Of Layers		2
Magnet System Type		High Flux Ferrite
BL Product	BL	5

T-S Parameters

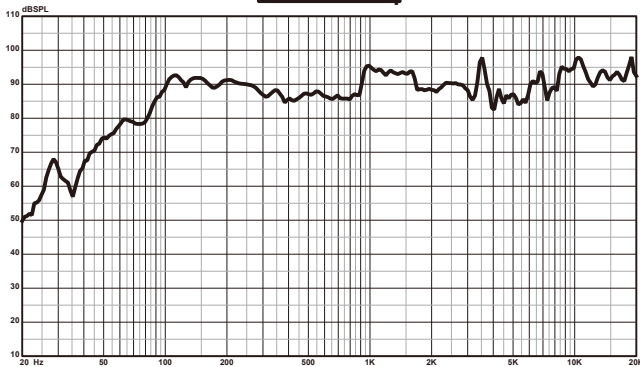
Suspension Compliance	Cms	0.484
Mechanical Q Factor	Qms	6.2
Electrical Q Factor	Qes	0.7
Total Q Factor	Qts	0.63
Moving Mass	Mms	15.7
Eq.Cas Air Load(liters)	VAS	19.3 L
Resonant Frequency	Fs	57 Hz
Effective Piston Area	SD	167.7cm ²

FEATURES

- * Stamped Steel Basket
- * High flux Ferrite Magnet System
- * 1.2" Voice Coil
- * 100 Watts Peak Power Handling



SPL vs Freq



Impedance vs Freq

