



225A LOGGER
VIN#AEB404225YR000014
PARTS MANUAL



Document Part Number : 874005

Issue : DECEMBER 2000
(Amended July 2002)

Technical Documentation
BELL EQUIPMENT COMPANY
Richards Bay

IMPORTANT

Due to BELL's policy of continuous product improvement, the information contained in this manual was correct up to the time of printing (Issue date of manual). Any changes after this date will only be included in the next update of this manual.

Illustrations in this manual are pictorial representations of the component and are not drawn to scale.

CONTENTS

SECTION 1. GENERAL INFORMATION

SECTION 2. ENGINE

SECTION 3. POWER TRAIN

SECTION 4. HYDRAULICS

SECTION 5. ELECTRICAL

SECTION 6. FRAME AND BODY

TABLE OF CONTENTS

SECTION 1 GENERAL INFORMATION	1-1
BELL WARRANTY INFORMATION	1-3
INSTALLATION CERTIFICATES AND CUSTOMER QUESTIONNAIRE	1-5
INTRODUCTION.	1-7
USER'S COMMENT FORM	1-13
BULLETINS.	1-15
LIST OF ABBREVIATIONS.	1-17
ORDERING OF PARTS	1-19
DIMENSIONS	1-21
SERIAL NUMBER PLATES	1-23
SERVICE KITS.	1-25
SECTION 2. ENGINE	2-2
ENGINE AND MISCELLANEOUS PARTS	2-4
ENGINE DRAIN ASSEMBLY	2-8
AIR CLEANER SYSTEM	2-10
AIR CLEANER	2-12
PRE CLEANER.	2-14
EXHAUST SYSTEM	2-16
FUEL SYSTEM	2-18
THROTTLE AND CUT OUT CONTROL	2-20
SECTION 3. POWER TRAIN	3-1
TRANSMISSION SYSTEM (#24 WHEEL DRIVES)	3-2
TRANSMISSION SYSTEM (#25 WHEEL DRIVES)	3-4
TRANSMISSION PUMP MISCELLANEOUS PARTS	3-6
TRANSMISSION PUMP	3-8
WHEEL DRIVE ASSEMBLY (# 24).	3-12
WHEEL DRIVE ASSEMBLY (# 25).	3-16
HYDRAULIC MOTOR (F12-40)	3-20
HYDRAULIC MOTOR (WITH INTERNAL FLUSHING VALVE)	3-22
HYDRAULIC MOTOR ASSEMBLY	3-24
PRIMARY REDUCTION ASSEMBLY (MODEL 6, 14:1)	3-26
PRIMARY REDUCTION ASSEMBLY (MODEL 15.39:1)	3-28
MULTI DISC BRAKE ASSEMBLY	3-30
MULTI DISC BRAKE ASSEMBLY	3-32
MULTI DISC BRAKE ASSEMBLY	3-34
BRAKE RELEASE VALVE	3-36
CONTROL LINKAGE ASSEMBLY	3-38
TAIL WHEEL ASSEMBLY	3-40
TAIL WHEEL AXLE	3-42
WHEEL ASSEMBLY (400 X 15.5, 10 PLY).	3-44
WHEEL ASSEMBLY (18.4 x 26, 10 PLY).	3-46
SPECIAL TOOLS.	3-48

SECTION 4. HYDRAULIC SYSTEM	4-1
HYDRAULIC SYSTEM	4-2
HYDRAULIC SYSTEM (BOOM SECTION)	4-6
HYDRAULIC BREATHER ASSEMBLY	4-8
CONTROL VALVE (ONE BANK)	4-10
CONTROL VALVE (TWO BANK)	4-12
HANDLE ASSEMBLY	4-18
HYDRAULIC PUMP	4-20
CYLINDER ASSEMBLY (LIFT)	4-22
CYLINDER ASSEMBLY (LOG GRAB)	4-24
ROTATOR ASSEMBLY	4-26
SECTION 5. ELECTRICAL SYSTEM	5-1
ELECTRICAL SYSTEM	5-2
INSTRUMENT PANEL ASSEMBLY	5-4
BATTERY AND CLAMPS	5-6
LIGHTING KIT	5-8
SECTION 6. FRAME AND BODY	6-1
FRAME AND BODY	6-2
CAB ASSEMBLY	6-6
SEAT ASSEMBLY	6-8
BOOM ASSEMBLY	6-10
GRAPPLE, LINK AND ROTATOR	6-12
GRAPPLE ASSEMBLY (SERIES 35)	6-14
DECAL LAYOUT	6-16
DECALS	6-18

SECTION 1 GENERAL INFORMATION

BELL WARRANTY INFORMATION

**INSTALLATION CERTIFICATES AND CUSTOMER
QUESTIONNAIRE**

INTRODUCTION

This manual has been produced to assist you in ordering of parts for the maintenance of your **BELL** machine.

The information contained in the manual is in a logical sequence. Each illustrated breakdown is supported with a parts list.

The parts manual has been produced by the Technical Documentation Department of **BELL EQUIPMENT Co.** Every effort has been made to ensure that the information in this manual was correct at the time of publication. **BELL EQUIPMENT Co.** has a policy of continuous product development, improvement and design. **BELL EQUIPMENT Co.** reserves the right to change, amend and update the design of its product at any time without prior notice. With this policy, changes may have occurred that are not included in this manual.

Whilst every endeavor has been made to provide accurate and reliable information, **BELL EQUIPMENT Co.** specifically disclaims any actual or implied warranty and under no circumstances shall be liable for any loss, damage or injury to person or property suffered, whether direct, or indirect or consequential, arising from the use of this manual. In particular and without detracting from the above, the disclaimer also applies in the event of any specification, warning, or representation contained in this manual being inadequate, inaccurate, or unintentionally misleading.

The user is urged to strictly comply with the instructions and warnings that are given in the interests of general safety. Please do not hesitate to contact your **BELL** Product Support Representative whenever you have a query on your **BELL** product or this manual. The address of your nearest **BELL** branch or dealer is as follows:-

The following address list was correct as at 06 March 2002.

R.S.A.

Richards Bay (Head Office):

Carbonode Cell
Alton
RICHARDS BAY
3900

Tel : (035) 907 9111
Fax : (035) 797 4323
Email : dereks@bell.co.za

P.O. Box 198
RICHARDS BAY
3900

Bloemfontein:

109 Fritz Stockenström Street
Ooseinde
BLOEMFONTEIN
9300

Tel : (051) 4327 855
Fax : (051) 4323 740
Email : vivianm@bell.co.za

P.O. Box 1878
BLOEMFONTEIN
9300

Cape Town:

Malan Street
Airport Industria
CAPE TOWN
7525

Tel : (021) 386 2252
Fax : (021) 386 2260
Email : fionaj@bell.co.za

P.O. Box 162
EPPINDUST
7475

Empangeni:

No.1 Irvine Bell Drive
Old Mill Industrial
EMPANGENI
3880

Tel : (035) 787 1366
Fax : (035) 787 0740
Email : shelleyb@bell.co.za

P.O. Box 7332
EMPANGENI RAIL
3910

East London:

25 Ray Craib Crescent
Beacon Bay
Industrial Area
EAST LONDON
5200

Tel : (043) 748 6622/3
Fax : (0431) 748 6624
Email : pierred@bell.co.za

c/o P.O. Box 3443
North End
PORT ELIZABETH
6056

George:

Pioneer Road
Pacaltsdorp
GEORGE
6534

Tel : (044) 878 0930/1
Fax : (0441) 878 0932
Email : karino@bell.co.za

P.O. Box 1697
GEORGE
6530

Gauteng (Bell Jet Park):

Griffith Road
JET PARK
1462

Tel : (011) 928 9700/22
Fax : (011) 928 9730
Email : bokkiec@bell.co.za

P.O. Box 25391
EAST RAND
1459

Gauteng (Sales):

Griffith Road
JET PARK
1459

Tel : (011) 928 9700 to 22
Fax : (011) 928 9730
Email : pamj@bell.co.za

P.O. Box 25391
EAST RAND
1462

Gauteng (Used/Rebuild Division):

Griffith Road
JET PARK
1459

Tel : (011) 928 9700/ 22
Fax : (011) 928 9730
Email : pauld@bell.co.za

P.O. Box 25391
EAST RAND
1462

Gauteng (National Distribution):

Griffith Road
JET PARK
1459

Tel : (011) 928 9700 to 22
Fax : (011) 928 9730
Email : gailh@bell.co.za

P.O. Box 25391
EAST RAND
1462

Kimberly:

2 - 4 Hendrick Van Eck Street
Kimindustria
KIMBERLY
8300

Tel : (053) 841 0710/11/12/13
Fax : (053) 841 1940
Email : gerteyc@bell.co.za

P.O. Box 2927
KIMBERLY
8300

Kuruman:

8 Acacia Street
KURUMAN
8460

Tel : (05373) 30698
Fax : (05373) 30697
Email : charld@bell.co.za

P.O. Box 1396
KURUMAN
8460

Middleburg:

9 Celcius Street
Building B
Industrial Area
MIDDLEBURG
1050

Tel : (013) 246 1169
Fax : (013) 246 1229
Email : kathyb@bell.co.za

P.O. Box 2821
MIDDLEBURG
1050

Nelspruit:

3 Christie Crescent
Vintonia 2
NELSPRUIT
1200

Tel : (013) 755 2110/6
Fax : (013) 755 2117
Email : ling@bell.co.za

P.O. Box 1672
NELSPRUIT
1200

Piet Retief:

14 Smith Street
PIET RETIEF
2380

Tel : (017) 826 1523
Fax : (017) 826 1580
Cell : 082 774 0495 (Kersy Mrugan)

P.O. Box 2597
PIET RETIEF
2380

Pietermaritzburg:

7 Van Eck Place
MKONDENI
3209

Tel : (033) 386 9319
Fax : (033) 386 1837
Email : carlaf@bell.co.za

P.O. Box 100436
SCOTSVILLE
3201

Pongola:

Dewaal Street 233
Pongola
3170

Tel : (034) 413 1720
Fax : (034) 413 1735

P.O. Box 681
PONGOLA
3170

Port Elizabeth:

349 Kempston Road
Korsten
PORT ELIZABETH
6056

Tel : (041) 451 3202/4/6
Fax : (041) 451 3208
Email : lynneo@bell.co.za

P.O. Box 3443
NORTH END
PORT ELIZABETH
6056

Port Shepstone:

Shop 5 Industrial Park
Cnr. Main Harding and
Izotsha Road
PORT SHEPSTONE
4240

Tel : (039) 685 4124
Fax : (039) 685 5155
Cell : 082 774 0494 (Clive Manning)

P.O. Box 560
PORT SHEPSTON
4240

Rustenburg:

No. 16 Vanadium Street
Border Industrial
RUSTENBURG
0300

Tel : (014) 538 1003/4
Fax : (014) 538 1005
Email : brendadt@bell.co.za

P.O. Box 3701
RUSTENBURG
0300

Springbok:

Drive Inn Road
Industrial Park
SPRINGBOK
8240

Tel : (027) 712 1124/30
Fax : (027) 718 1314
Email : laurencedv@bell.co.za

P.O. Box 618
SPRINGBOK
8240

Tzaneen:

8 Impala Street
Industrial Sites
TZANEEN
0850

Tel : (015) 307 4812
Fax : (015) 307 3095
Email : altar@bell.co.za
: fouchew@bell.co.za

P.O. Box 2102
TZANEEN
0850

Umhlali:

Lot 81
Shakas Head, Industrial Park
Shakas Head
UMHLALI
4390

Tel : (032) 947 0696
Tel : (032) 947 1637
Fax : (032) 71367
Cell : 082 774 0493 (Keith Hall)

P.O. Box 39
UMHLALI
4390

Vryheid:

Bloekom Street
VRYHEID
3100

Tel : (034) 981 5541
Fax : (034) 980 9752
Cell : 082 627 6450 (Cliff Glenn)

P.O. Box 1221
VRYHEID
3100

Windhoek:

37 Lazarett Street
Ausspahn Platz
WINDHOEK
NAMIBIA

Tel : (264) 612 226021/2/3
Fax : (264) 612 228330
Cell : 081 127 3043
(Wolfgang Schweiger)

Private Bag 12018
Ausspahn Platz
WINDHOEK
NAMIBIA

Wolmaransstad:

80 Kruger Street
WOLMARANSSTAD
2630

Tel : (018) 596 2319
Fax : (018) 596 2855
Cell : 082 560 1694 (Wim Farmer) 9300

c/o P.O. Box 587
WOLMARANSSTAD

OTHER AFRICA REGIONS**Matsapha/Swaziland (BELL Equipment Swaziland):**

Shop No. 4
Second street
Matsapha
SWAZILAND

Tel : (+268) 51 87496/7
Fax : (+268) 51 87498
Cell : 083 626 8316 (Charlie Boucher)

P.O. Box 1754
Matsapha
SWAZILAND

EUROPEAN REGION**France (Bell France SARL):**

Z.A. Route d' Argenton-Sur-Creuse
23800 Dun Le Palestel
FRANCE
GA 31408

Tel : (+33) 55589 2356
Fax : (+33) 55589 2324
Email : claud.boulet@bell-france.fr

Germany (Bell Equipment (Deutschland) GmbH):

Am Ringofen 24/14B
D-36304 Alsfeld
GERMANY

Tel : (+49) 6631 911 300
Fax : (+49) 6631 911 313
Email : center@bell-germany.de

Spain (Bell Equipment Espana):

C/. Ocana 23, piso 5B
28047 MADRID
SPAIN

Tel : (+ 34) 917 191 512
Fax : (+ 34) 917 191 512
Email : jesus.vivero@bell-france.fr

Switzerland (Bell Switzerland, Bell Handling Systems and Bellinter Holdings):

Avenue de la gare 40
Immeuble le Polygone
1618 Chatel-St-Denis
SWITZERLAND

Tel : (+ 41) 21 948 20 81
Fax : (+ 41) 21 948 20 89
Email : cameron.beqch@bluewin.ch
Cell : +41 (0) 79 356 5837 (Cameron Crawford)

United Kingdom (BELL Equipment U.K.):

Unit 6C
Graycar Business Park
Barton Turns
Barton-under-Needwood
Burton-on-Trent
DE 13 8EN
UNITED KINGDOM

Tel : (+44) 1283 712862 (Direct)
Tel : (+44) 1283 716777 (Parts Direct)
Fax : (+44) 1283 712687
Email : general@bellequipment.co.uk
patrickc@bellequipment.co.uk

NORTH AMERICA

Bell Equipment North America Inc:

2843 HWY 80
Garden City
GEORGIA
GA 31408
USA

Tel : (+1) 912 966 2615
Fax : (+1) 912 964 1594
Cell : (+1) 912 667 0066 (Robin Pett)
Email: robinp@bellequipment.com

Bell Equipment North America Inc:

2843 HWY 80
Garden City
GEORGIA
GA 31408
USA

Tel : (+1) 912 966 2615
Fax : (+1) 912 964 1594
Cell : (+1) 912 667 0066 (Robin Pett)
Email: robinp@bellequipment.com

DEALER

Please supply your dealer details here:

USER'S COMMENT FORM

Should you, as user of this manual, have any suggestion for improving the manual, or you find any errors or omissions, then we would like to know.

Please complete a facsimile of this form and hand it in to your nearest **BELL** Product Support Representative or post it directly to your nearest **BELL** Branch. Addresses are given at the beginning of this manual.

YOUR COMMENTS, SUGGESTIONS, OR QUERIES:

MACHINE MODEL:
SERIAL NUMBER:
VIN:
DOCUMENT PART NUMBER AND ISSUE:
PAGE NUMBER:

DOES THE MANUAL MEET YOUR NEEDS ?	YES	NO
DID YOU FIND THE INFORMATION ACCURATE ?	YES	NO
DID YOU FIND THE INFORMATION EASY TO READ AND UNDERSTAND ?	YES	NO
DID YOU FIND THE INFORMATION EASY TO RETRIEVE ?	YES	NO
DID YOU FIND THE INFORMATION WELL ILLUSTRATED ?	YES	NO

NAME:
COMPANY:
TITLE:
ADDRESS:
TELEPHONE NUMBER:

Thank you for your co-operation.

LIST OF ABBREVIATIONS

ADE	Atlantic Diesel Engines	GAL/min	Gallon Per Minute
C	Degree Celsius	Gr	Grade
	Ohm	hex	Hexagonal
A	Ampere	HT	High Tensile
A/R	As Required	hz	Hertz
AC	Alternating Current	ID	Internal Diametre
Ah	Ampere Hours	in	Cubic Inch
API	American Petroleum Institute	incl	Including
approx	Approximately	ISO	International Organisation of Standards
Apr	April	Jan	January
assy	Assembly	JIC	Joint Industry Conference Standards
ATDC	After Top Dead Centre	Jul	July
Aug	August	Jun	June
BHP	Brake Horse Power	kg	Kilogram
BSP	British Standard Pipe	km/h	Kilometre Per Hour
BTDC	Before Top Dead Centre	kPa	Kilopascal
CGA	Compressed Gas Association Inc	kW	Kilowatt
CO	Carbon Dioxide	l/min	Litre Per Minute
CTD	Control Traction Differential	lb	Pound
db	Decibels	LED	Light Emitting Diode
DBH	Diametre at Breast Height	LH	Left Hand
DC	Direct Current	lube	Lubrication
Dec	December	m	Metre
deg or	Degree	m	Cubic Metre
dia	Diametre	mA	Miliampere
diff	Differential	Mar	March
E.G.S.	Electronic Gear Shifting	max	Maximum
ext	Extension	min	Minimum
Feb	February	mm	Millimetre
FMC	Front Mount Cab	mm	Cubic Milimetre
ft lb	Foot Pound	MPa	Megapascal
FWD	Forward	N	Newton

Nm	Newton Metre	SAE	Society of Automotive Engineers
No.	Number	Sep	September
Nov	November	SMC	Side Mounted cab
N/O	Normally Open	SMR	Service Metre Reading
NPT	National Pipe Thread	std	Standard
NSI	Non Stock Item	strt	Straight
Oct	October	TBN	Total Base Number
OD	Outside Diametre	TDC	Top Dead Centre
P/N	Part Number	temp	Temperature
press	Pressure	thru	Through to and Including
psi	Pound per Square Inch	UNC	Unified National Coarse
PTO	Power Take Off	USGAL	United States Gallon (3.7854 litre)
Qty	Quantity	V	Volt
REV	Reverse	W	Watt
rev/min	Revolutions Per Minute	W/O	With out
RH	Right Hand	ZF	Zahnradfabrik Passau Gmbh
RSG	Recommended Service Guide		
SABS	South African Bureau of Standards		

ORDERING OF PARTS

To facilitate the ordering of parts, the following information is required to determine the correct part for your **BELL** product.

1. The model and serial number of your **BELL** product.
2. The serial number of the relevant assembly.
3. The part number.
4. The section, page and item number where the part appears in the parts manual.
5. The quantity required.
6. Your order number.
7. The delivery address.
8. The method of delivery.

Any other information which will assist us in getting the parts to you with the least amount of trouble or delay should be given. This information will be noted and filed for future reference.

DIMENSIONS

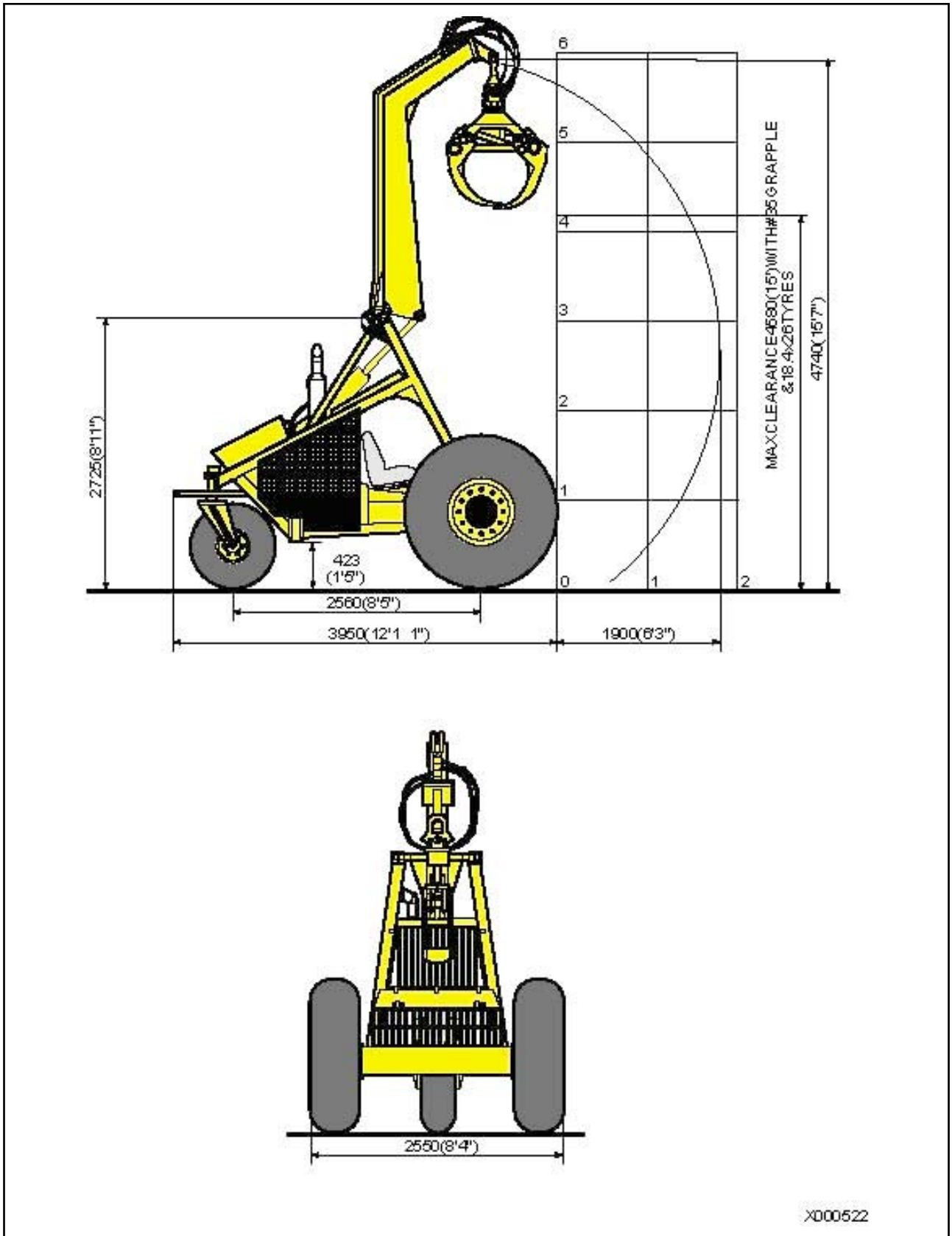


Figure 1

SERIAL NUMBER PLATES

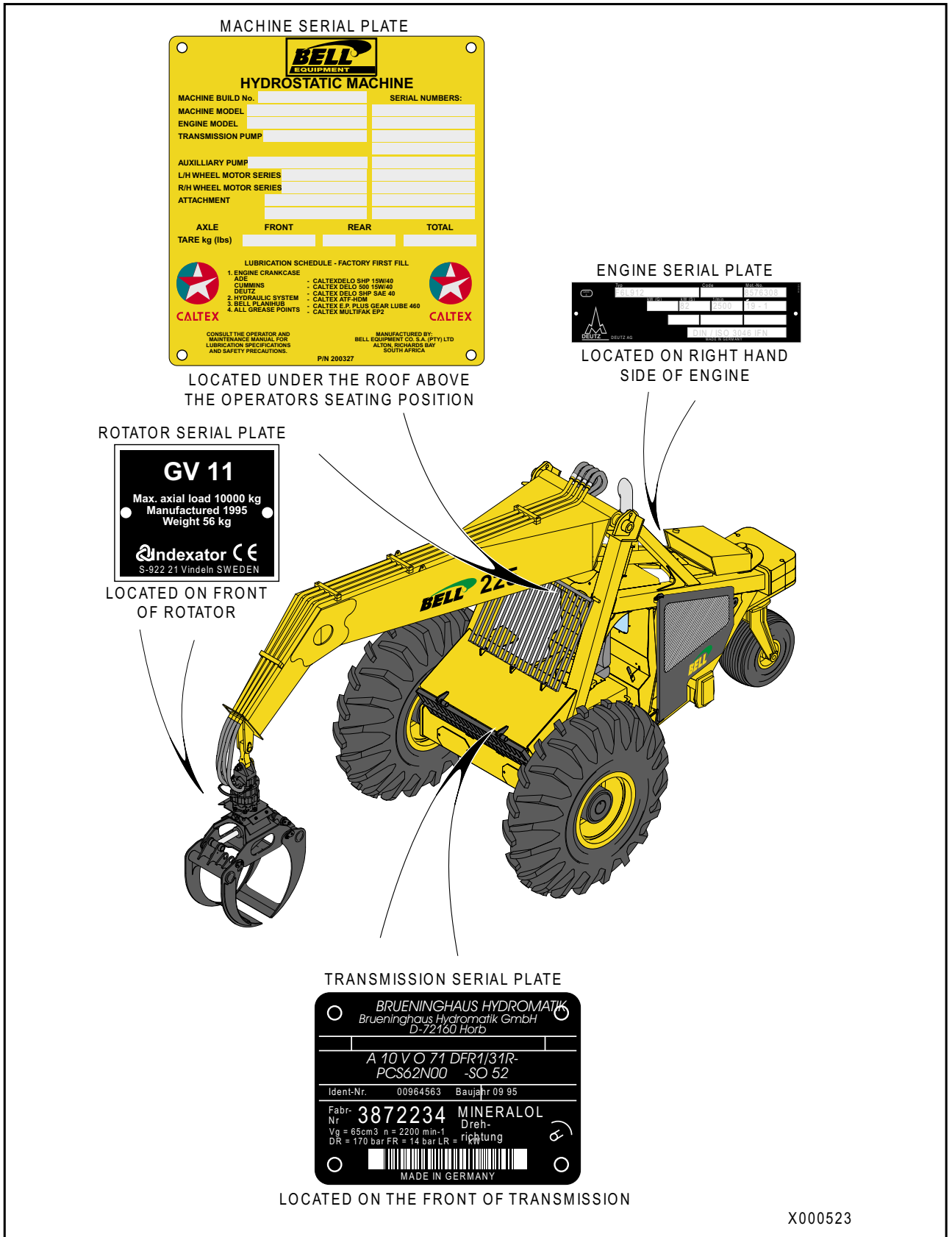


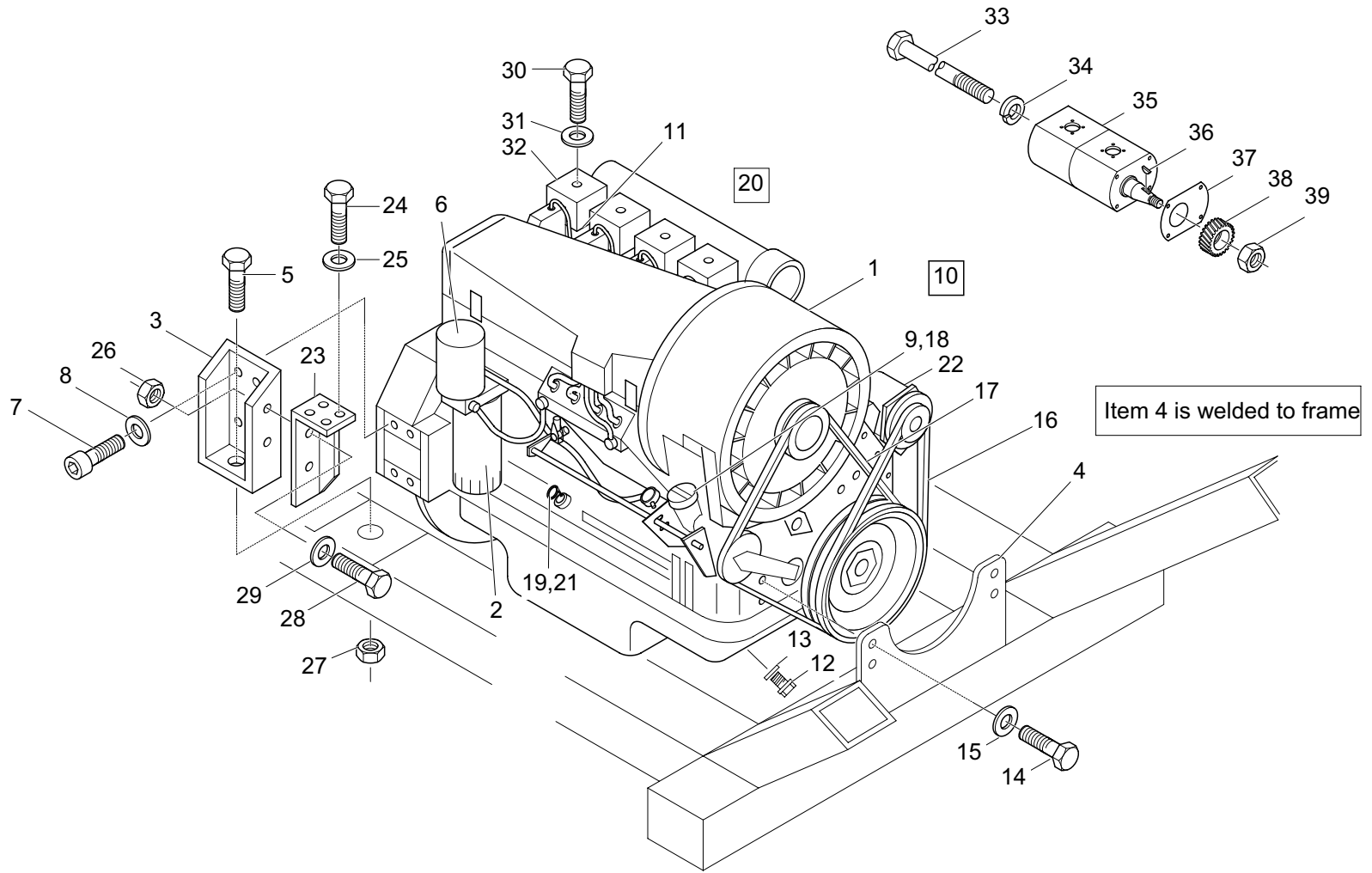
Figure 2

X000523

SERVICE KITS

100 HR	360440
250 HR	360441
500 HR	360440
750 HR	360441
1000 HR	360444

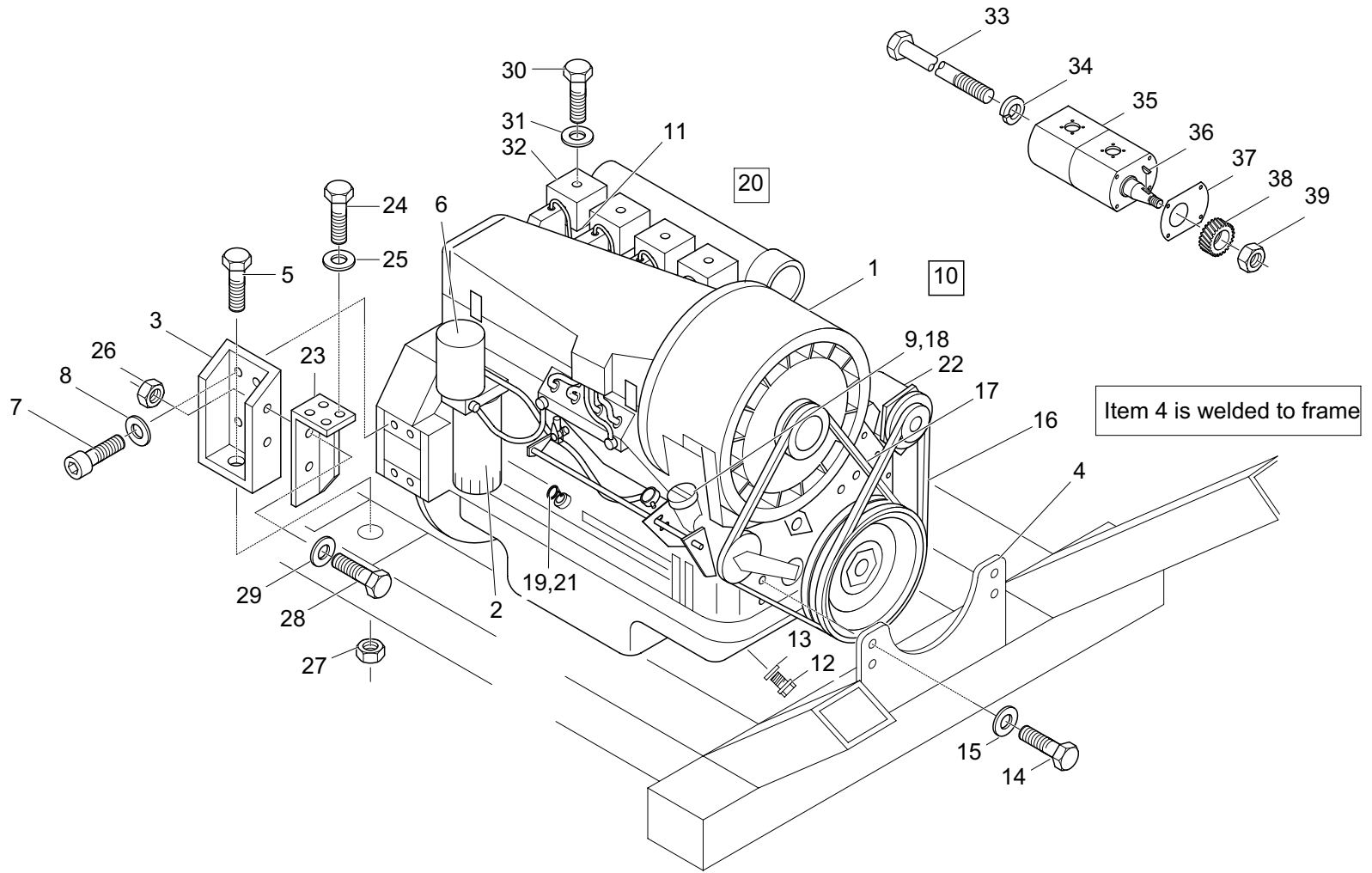
SECTION 2. ENGINE



P007055

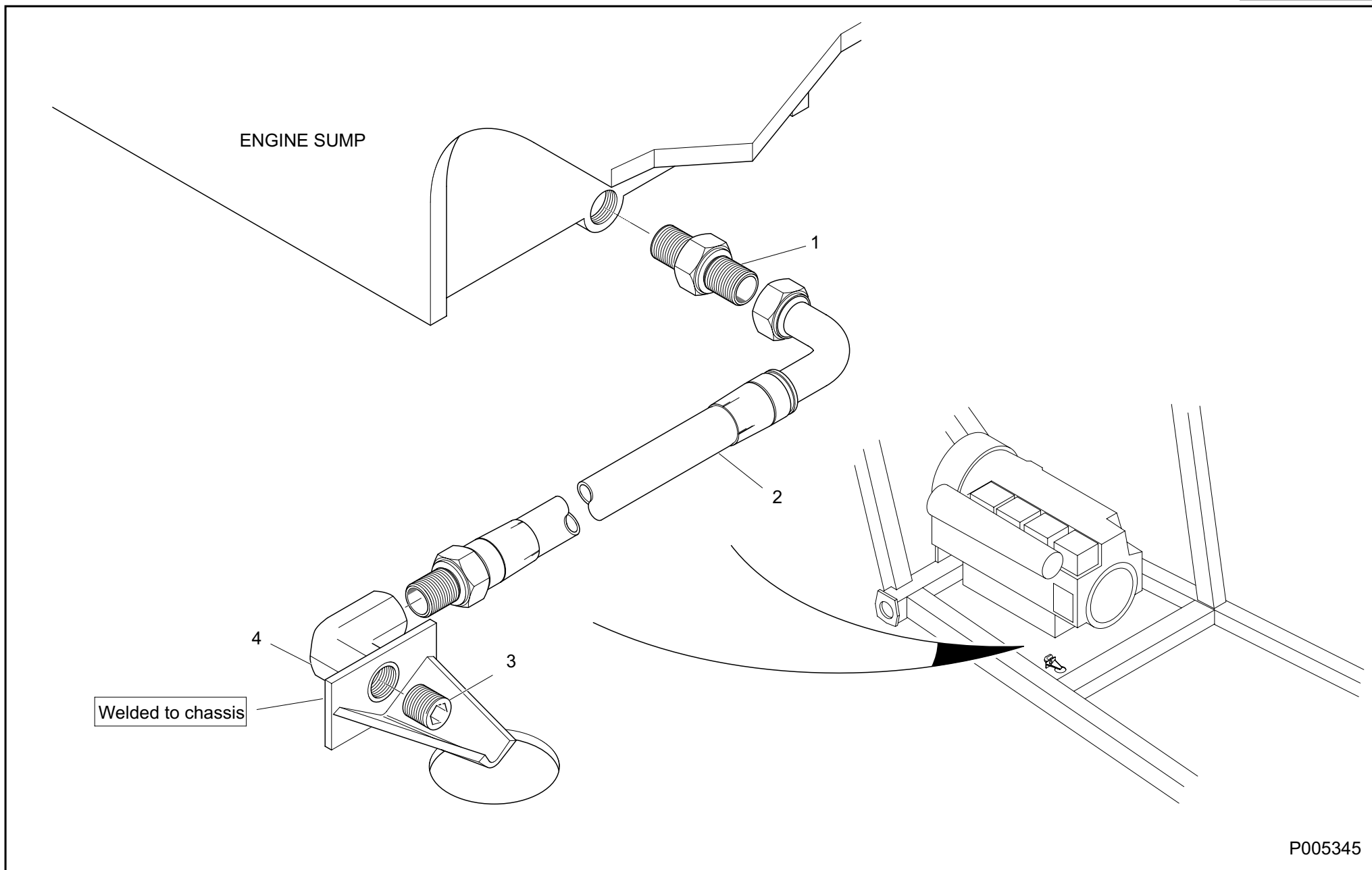
ENGINE AND MISCELLANEOUS PARTS

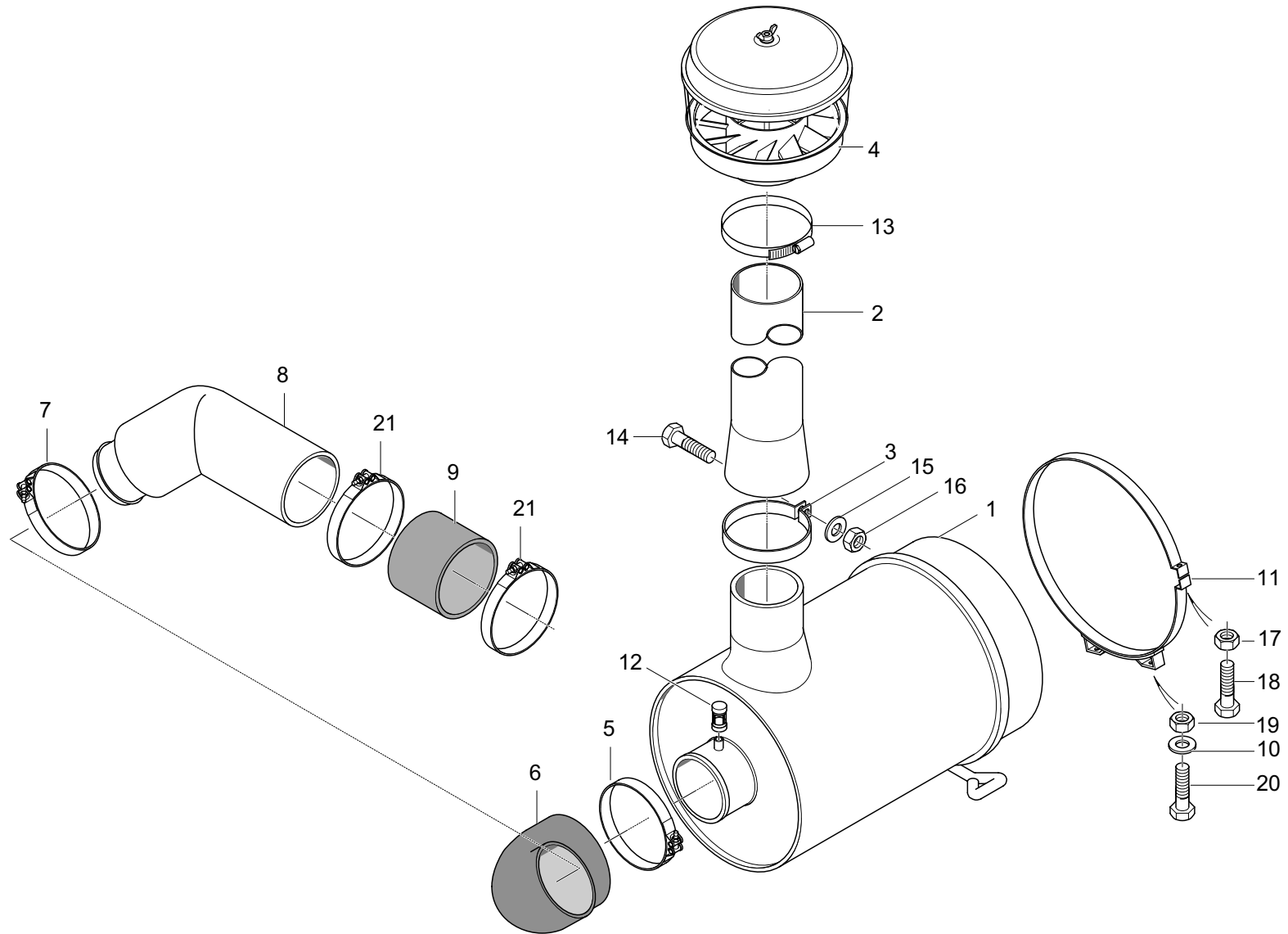
ITEM	PART NUMBER	QTY	DESCRIPTION	REMARKS
1	250401	1	ENGINE, Deutz (F4L912)	
2	220047	1	FILTER, Oil	
3	180122	2	BRACKET, Mounting, Engine	
4	177132	1	MOUNTING, Rear, Engine	
5	100156	2	SCREW, Hex. Head	
6	220048	1	FILTER, Fuel	
7	100123	8	SCREW, Cap	
8	100044	8	WASHER, Spring	
9	D1236290	1	GASKET	
10	200168	1	SWITCH, Engine Oil Pressure	Not Illustrated, RHS of engine
11	D423214	4	GASKET	
12	170845	1	PLUG, Drain	
13	D1118783	1	WASHER	
14	DC100115	4	BOLT	
15	101335	4	WASHER	
16	200169	1	BELT, Drive, Alternator	
17	200073	1	BELT, Drive, Fan	
18	D1236291	1	CAP, Oil Filler	
19	D1176382	1	DIPSTICK	
20	290010	1	STARTER	Not Illustrated, RHS of engine
21	D1174311	1	O RING	
22	290007	1	ALTERNATOR	
22	290285	1	ALTERNATOR	Optional
23	181269	1	BRACKET	Mounted on RHS engine mounting bracket only
24	100386	4	SCREW, Hex. Head	
25	100147	4	WASHER, Flat	
26	100316	2	NUT, Nyloc	
27	100323	2	NUT, Nyloc	
28	100211	2	SCREW, Hex. Head	
29	100148	2	WASHER, Flat	
30	D1112341	4	BOLT, Hex. Head	
31	D1216307	4	WASHER, Sealing	
32	D4231430	1	COVER	
33	100247	2	BOLT, Hex. Head	
34	100060	2	WASHER, Spring	
35	210166	1	PUMP, Hydraulic	



P007055

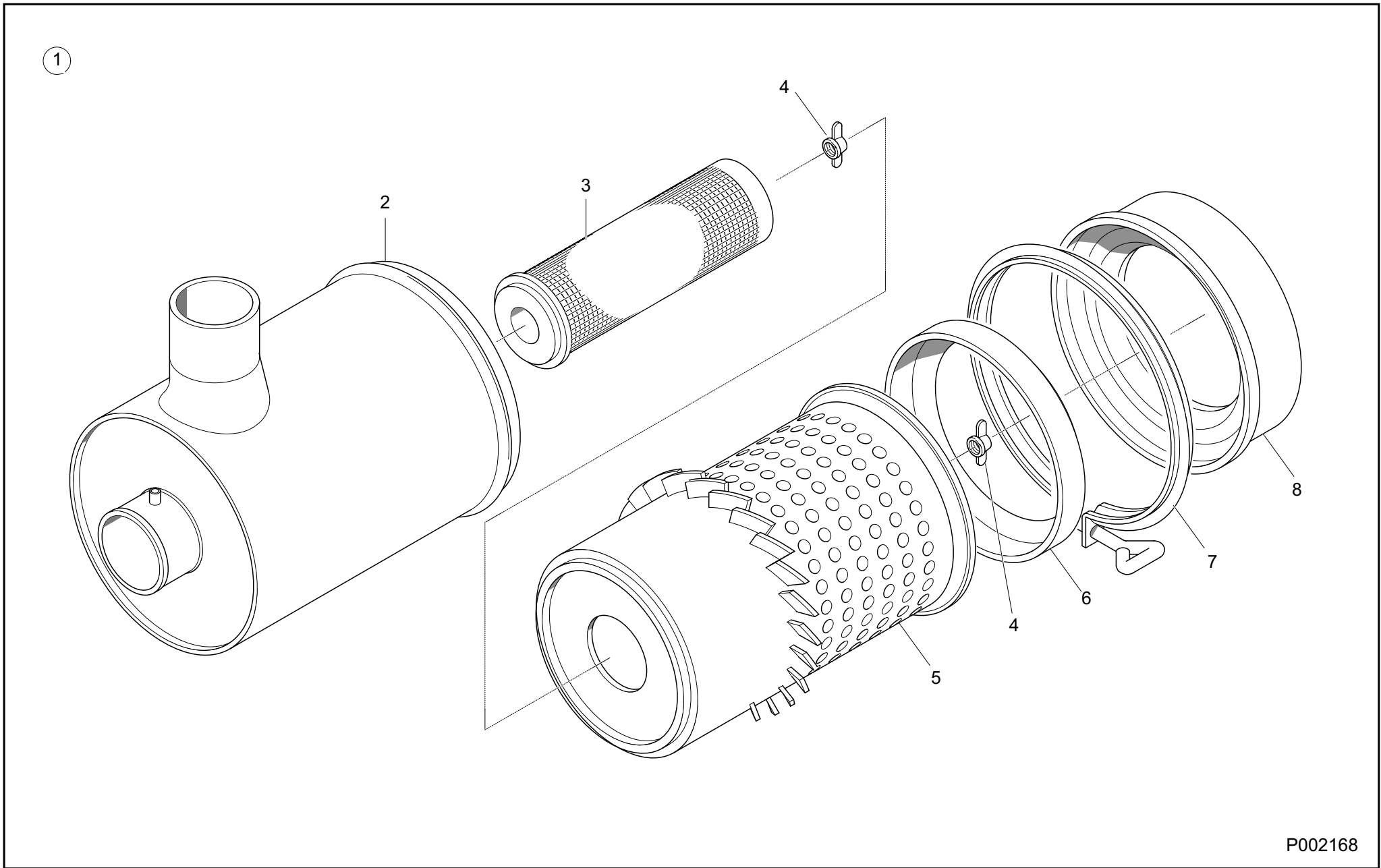
ENGINE DRAIN ASSEMBLY





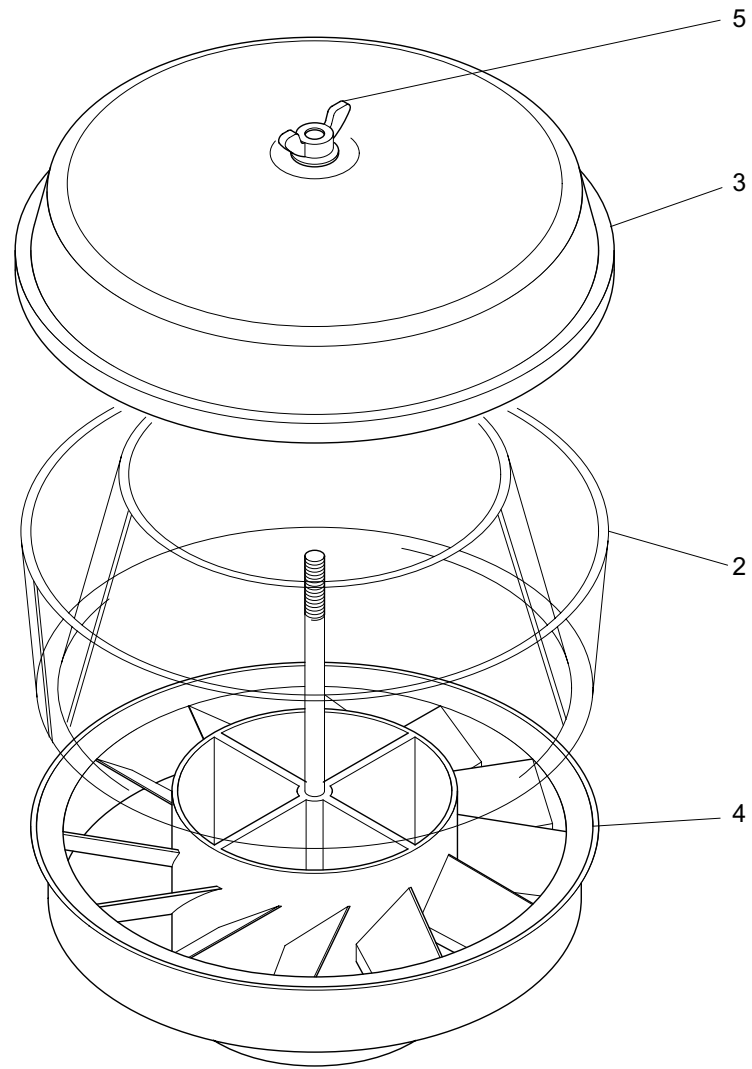
P005348

AIR CLEANER

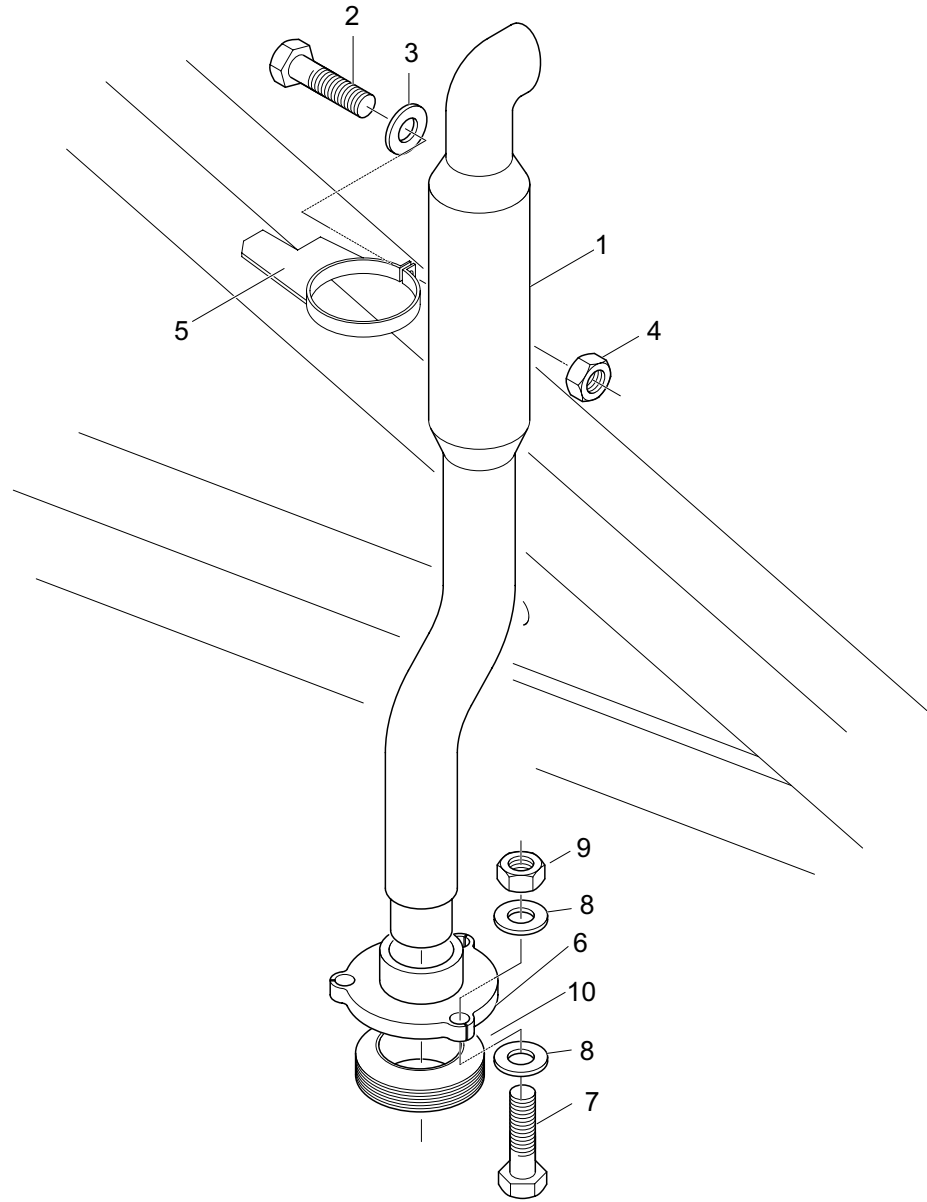


P002168

①

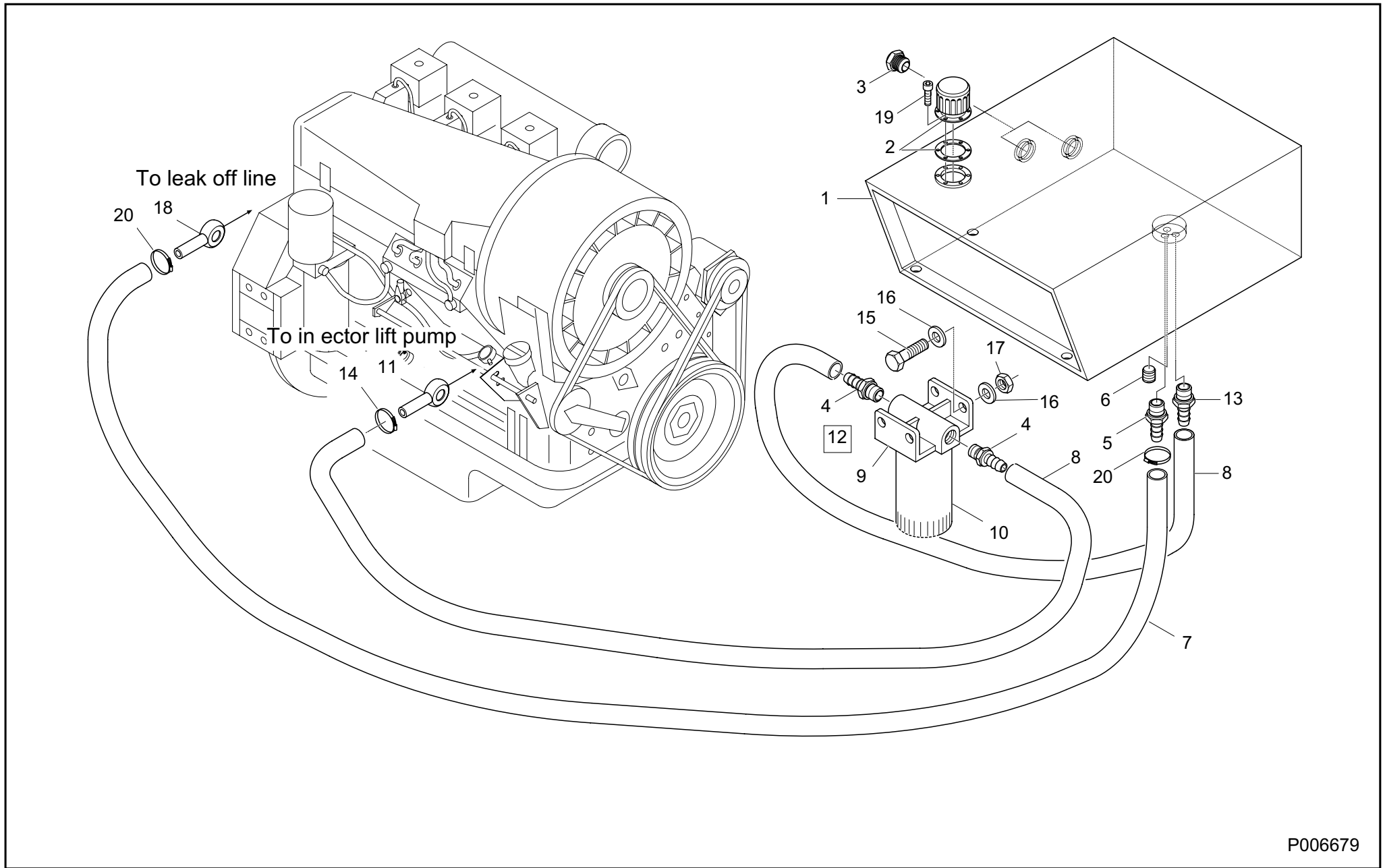


P001995



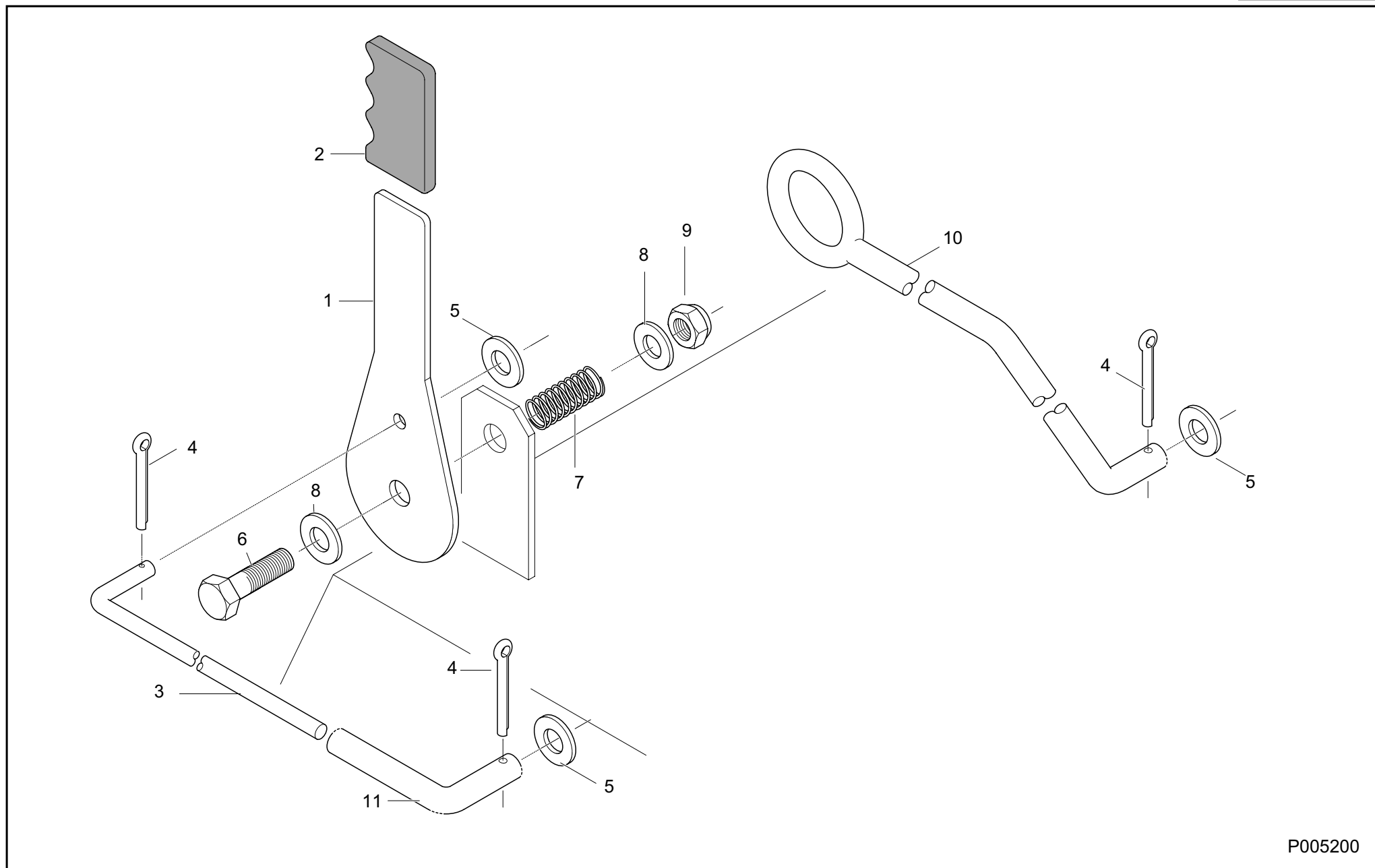
P005197

FUEL SYSTEM



P006679

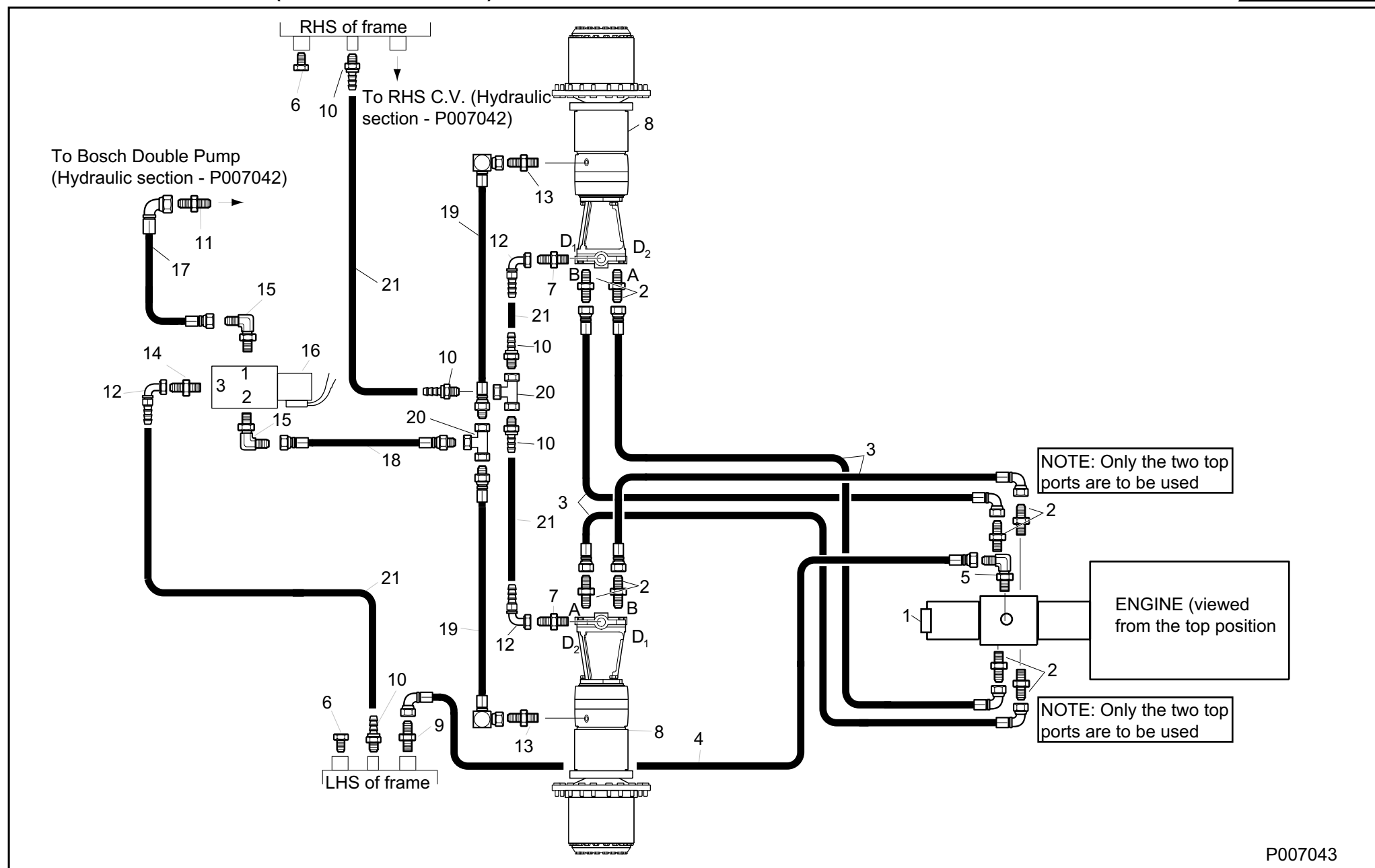
THROTTLE AND CUT OUT CONTROL



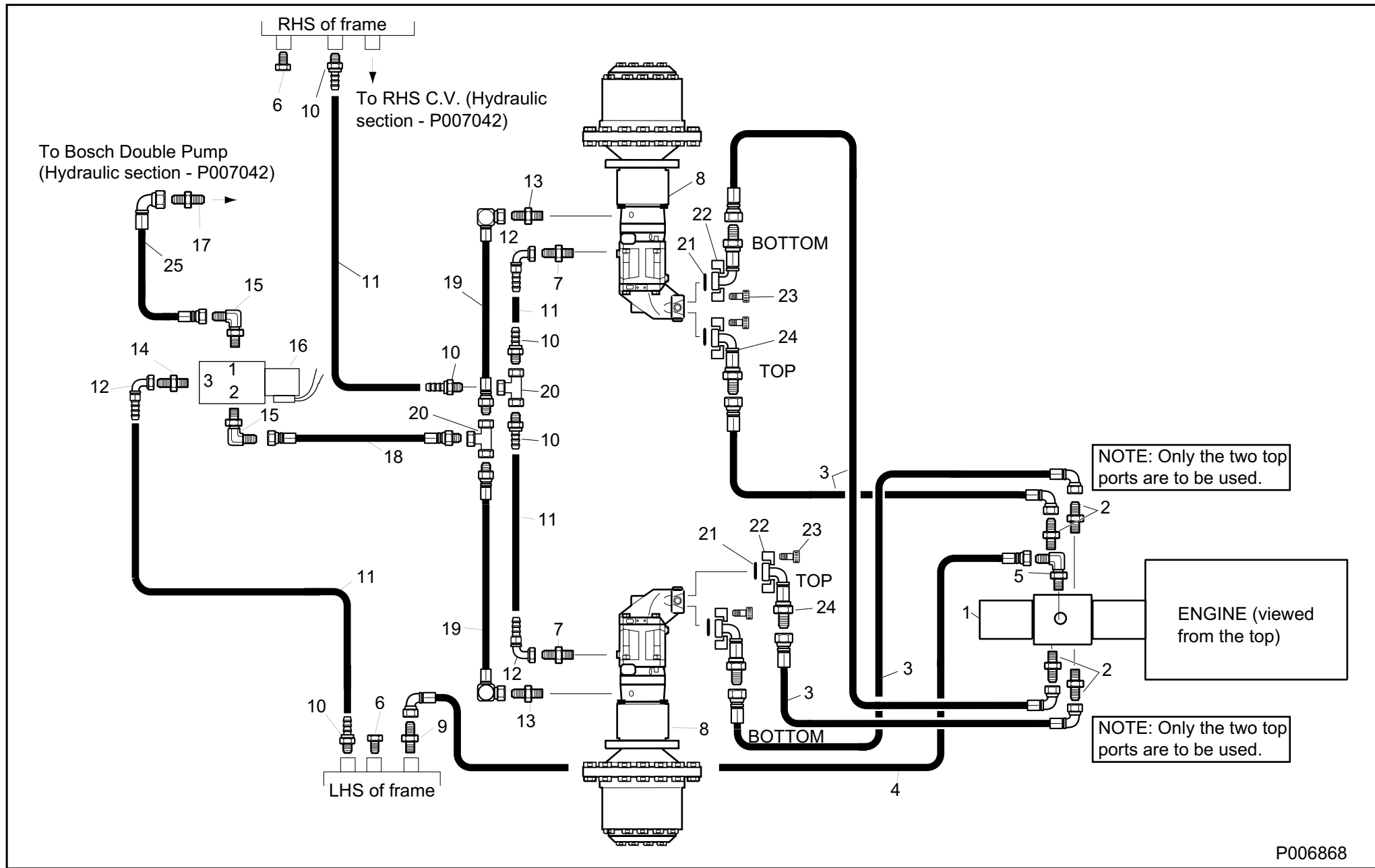
P005200

SECTION 3. POWER TRAIN

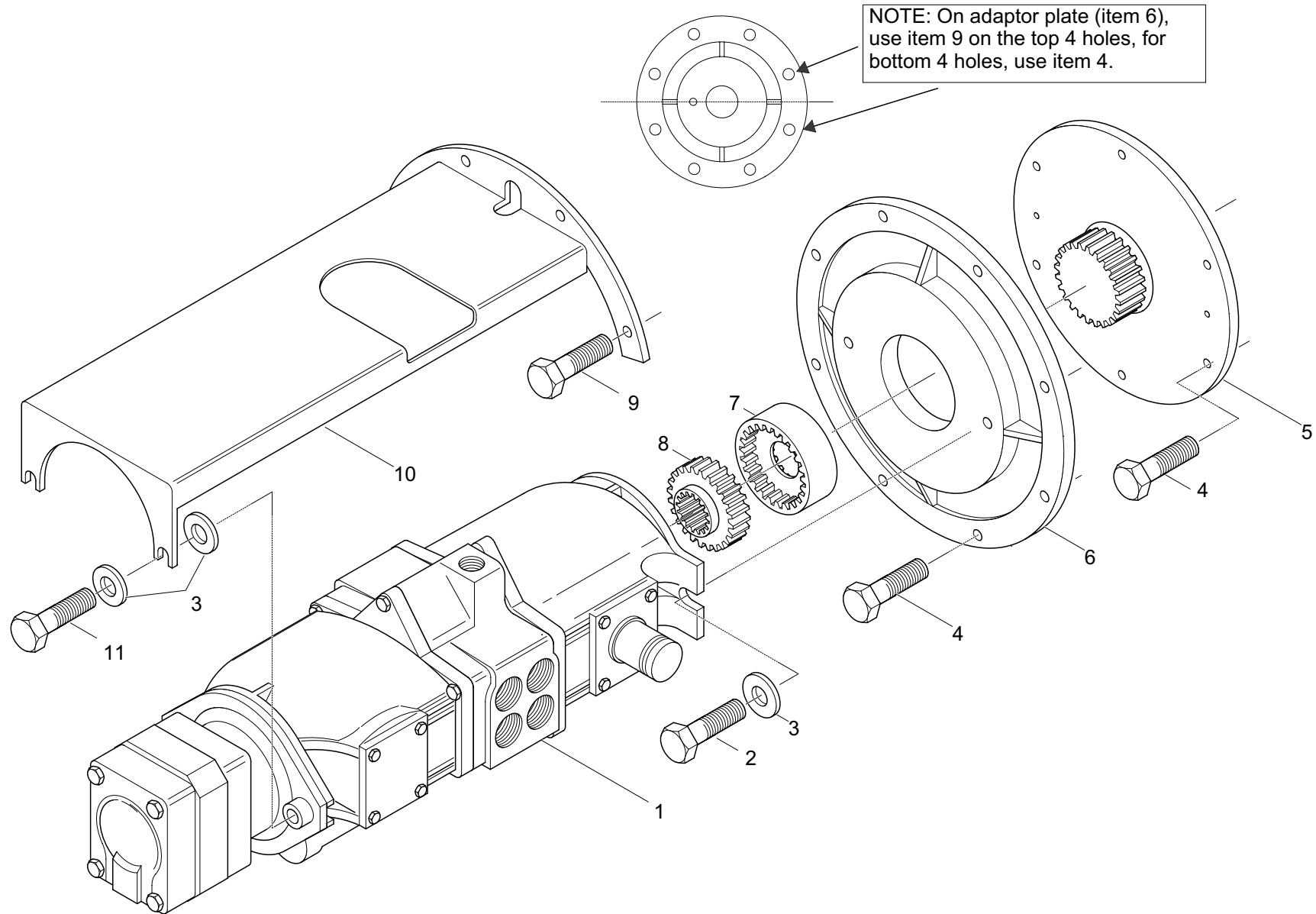
TRANSMISSION SYSTEM (#24 WHEEL DRIVES)



TRANSMISSION SYSTEM (#25 WHEEL DRIVES)



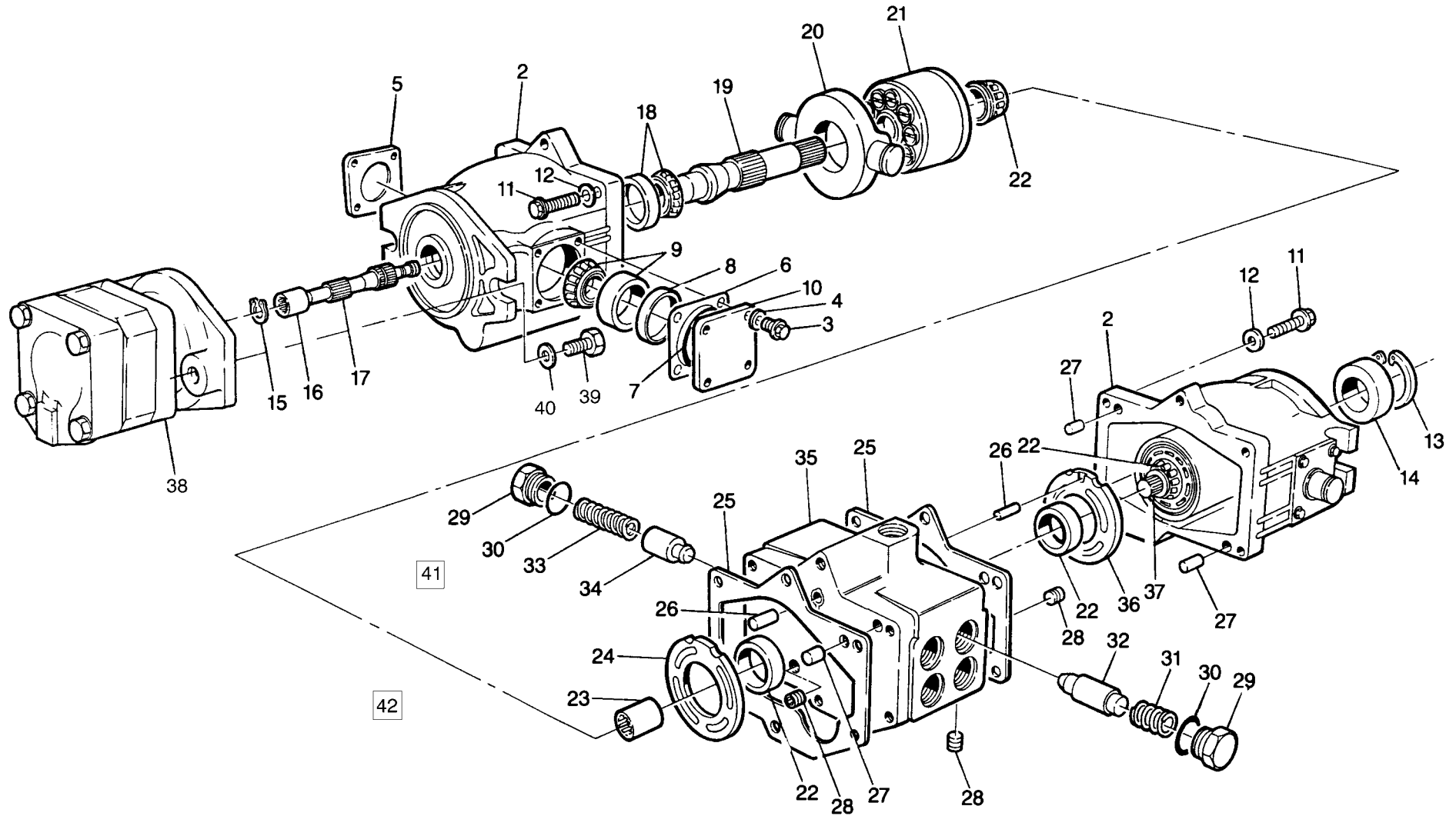
TRANSMISSION PUMP MISCELLANEOUS PARTS



P005201

TRANSMISSION PUMP

1



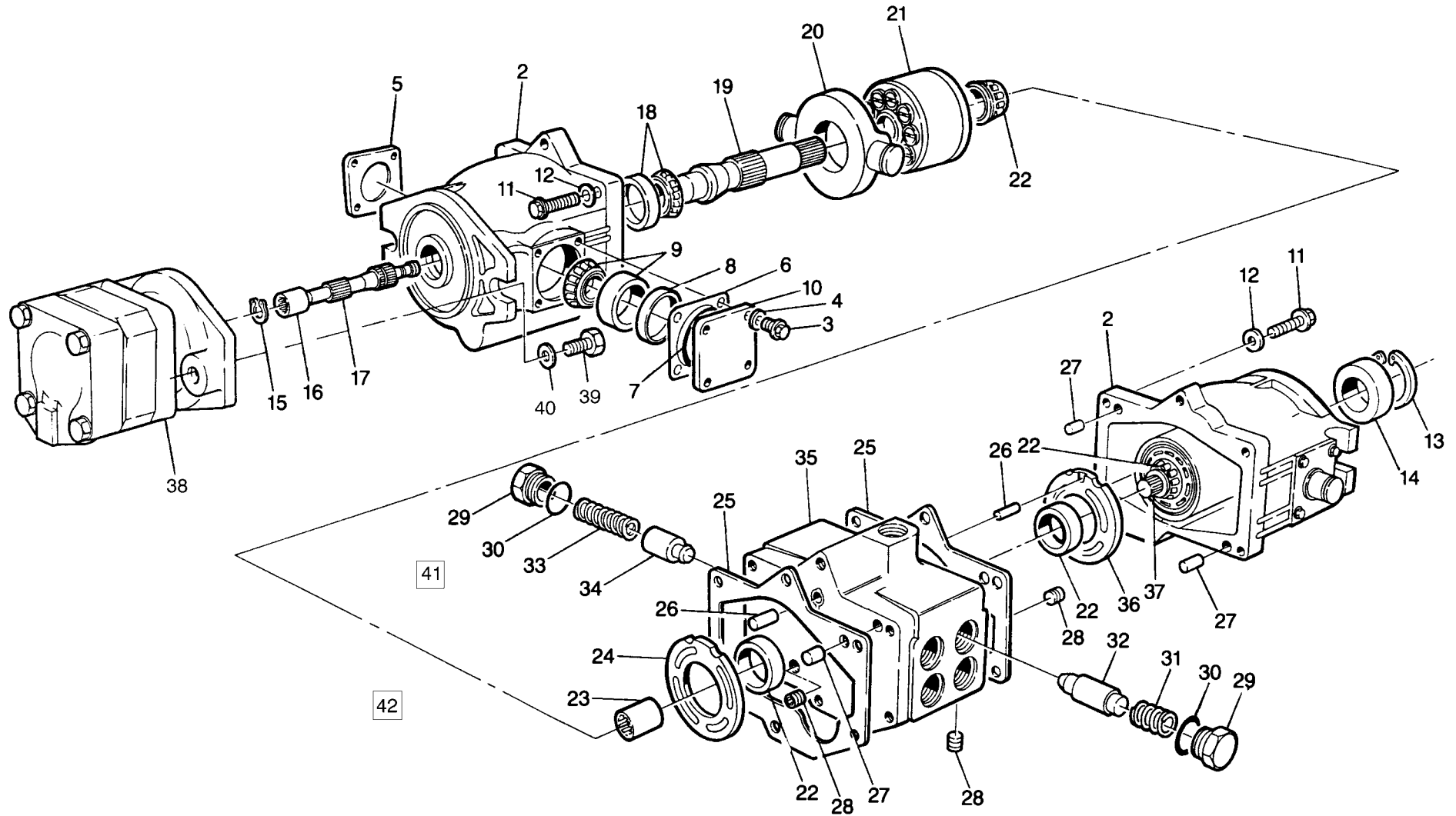
P001369

TRANSMISSION PUMP

ITEM	PART NUMBER	QTY	DESCRIPTION	REMARKS
1	210035	1	TRANSMISSION PUMP (4 500 PSI)	
2	220306	2	HOUSING	
3	100005	16	SCREW, Hex. Head	
4	100054	16	WASHER, Spring	
5	220305	2	COVER, Pintle	
6	220302	4	SHIM	
7	140147*	4	O RING	
8	220303	4	SPACER, Pintle Bearing	
9	150023	4	BEARING, Pintle	
10	220301	2	COVER	
11	100240	12	SCREW, Cap	
12	100060	12	WASHER, Spring	
13	220304	1	RING, Retaining	
14	220337	1	SEAL, Shaft, Front	
15	220344	1	RING, Retaining	
16	220345	1	COUPLING	
17	220354	1	SHAFT	
18	150021	2	BEARING, Cup and Cone	
19	220332	1	SHAFT, Intermediate	
20	220308	2	YOKE	
21	220356	2	ROTATING RING ASSY	
22	150024	2	BEARING, Cup and Cone	
23	220322	1	COUPLING	
24	220321	1	PLATE, Wafer, LH	
25	220307*	2	GASKET	
26	220324	2	PIN	
27	220323	4	PIN	
28	220328	3	PLUG	
29	220325*	5	PLUG	
30	140062	5	O RING	
31	220330	4	SPRING	
32	210351	4	VALVE, Relief, 4 500 psi	
33	220326	1	SPRING	
34	220327	1	POPPET	
35	220329	1	BLOCK, Valve	

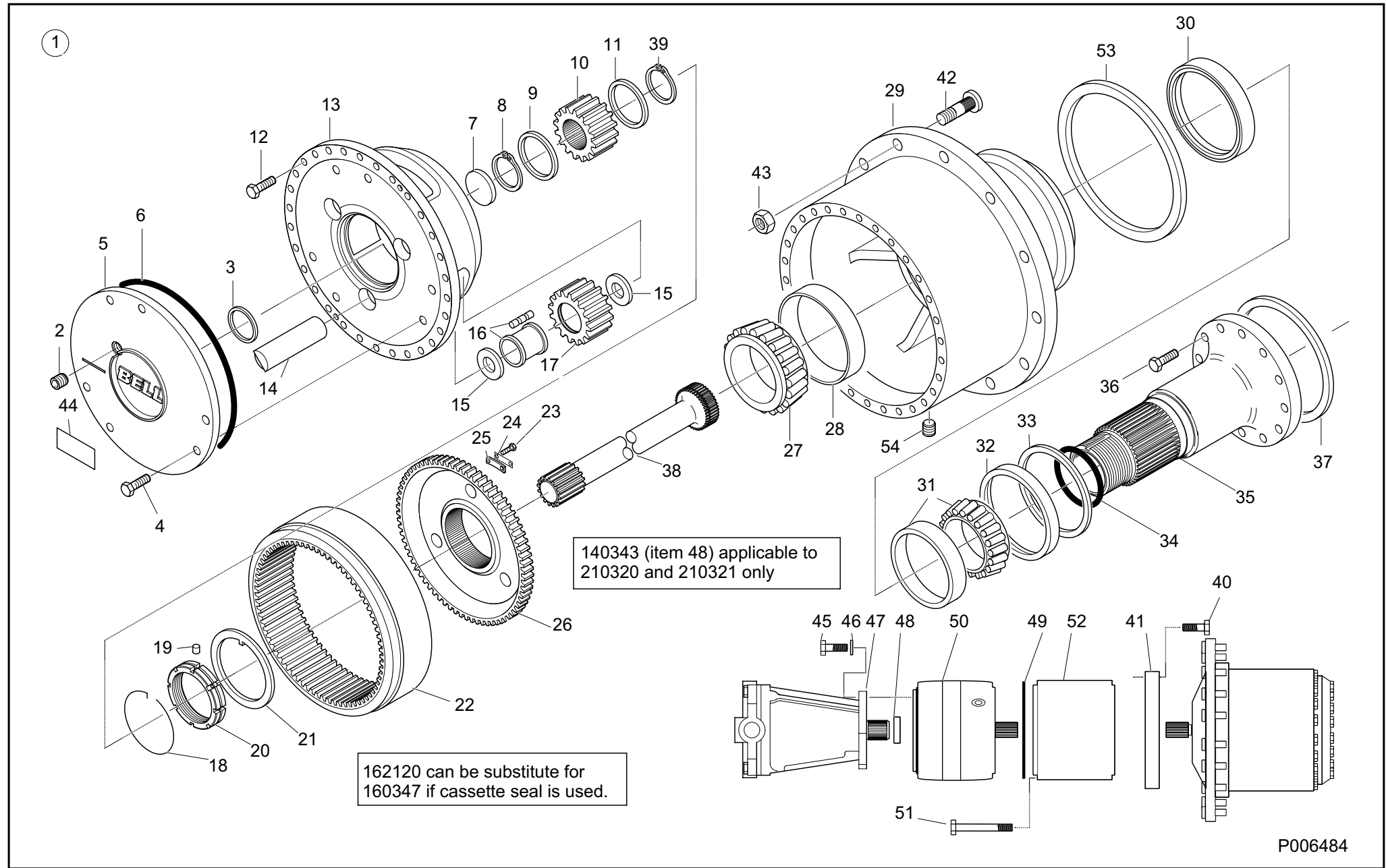
TRANSMISSION PUMP

1



P001369

WHEEL DRIVE ASSEMBLY (# 24)

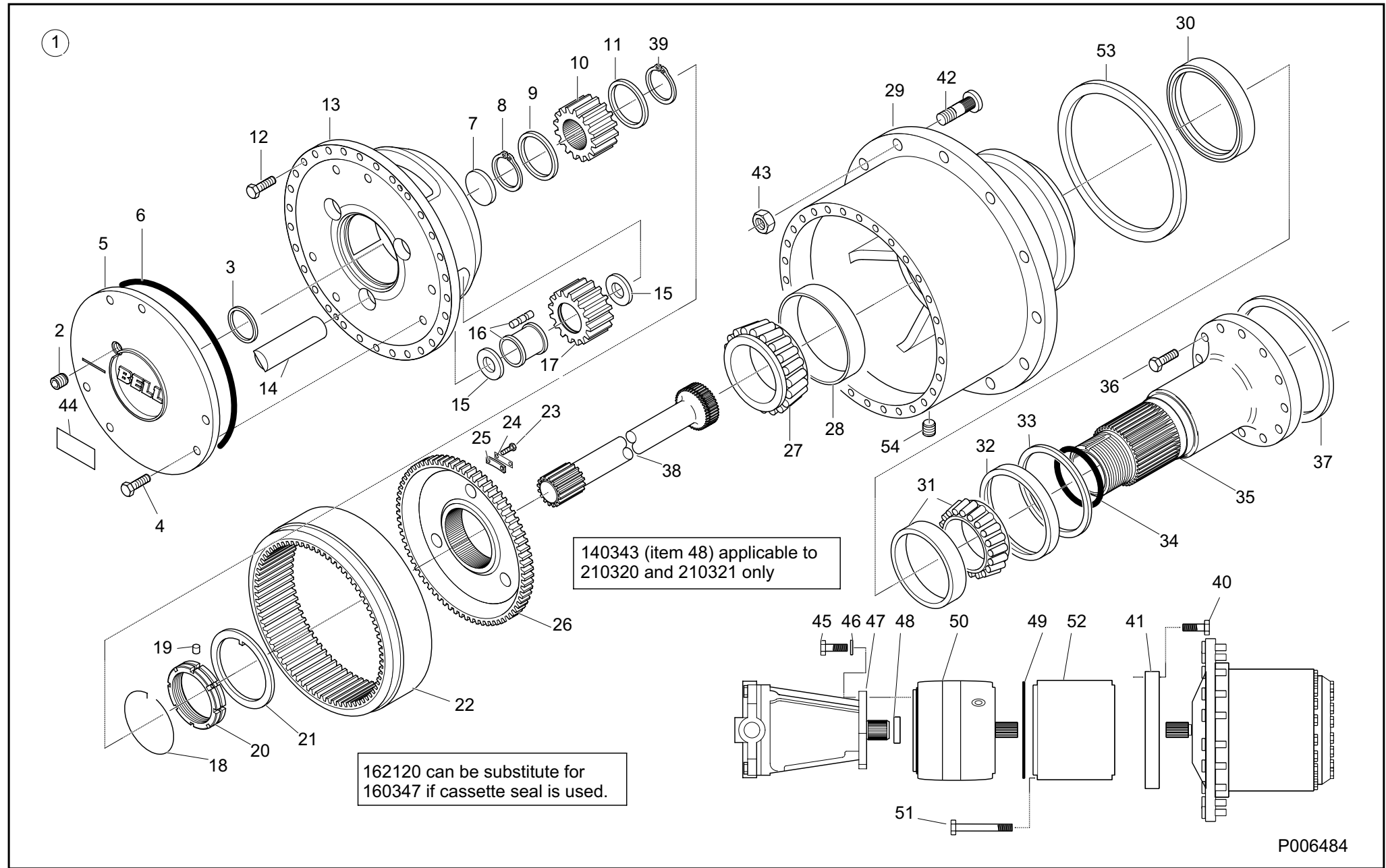


P006484

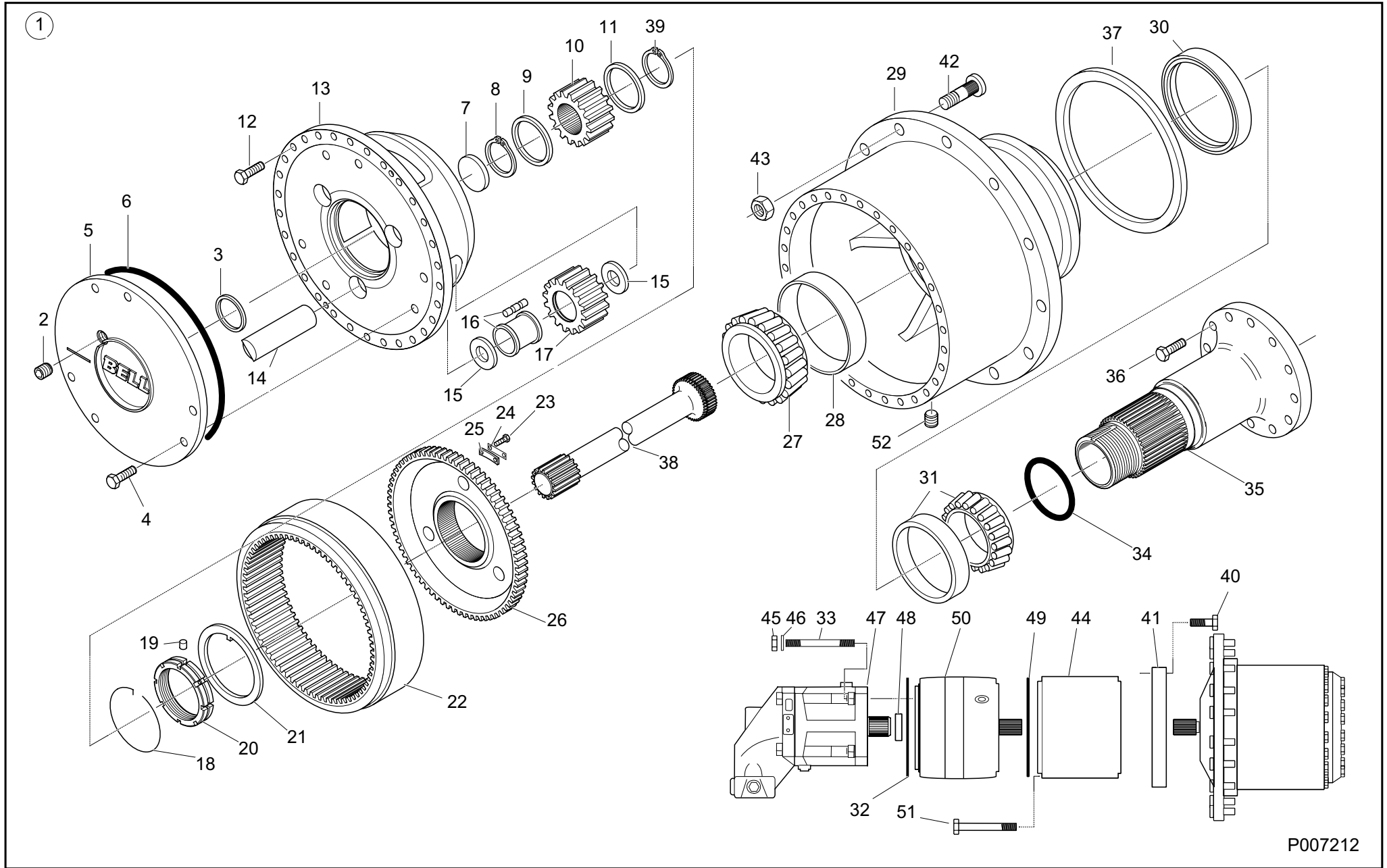
WHEEL DRIVE ASSEMBLY (# 24)

ITEM	PART NUMBER	QTY	DESCRIPTION	REMARKS
1	260531	2	WHEEL DRIVE (# 24)	
2	120019	1	PLUG	
3	100421	2	WASHER	
4	100210	6	SCREW, Hex. Head	
5	160180	1	PLATE, Cover	
6	140191	1	O RING	
7	160194	1	PLUG, Thrust, Bronze	
8	201650	1	CIRCLIP	
9	160193	1	RING, Steel	
10	200846	1	GEAR, Sun	
11	160956	1	RING, Thrust	
12	100211	24	SCREW, Hex. Head	
13	190092	1	CARRIER, Planet	
14	160181	3	PIN, Planet	
15	160182	6	SHIM, Planet	
16	150060	3	BEARING, Roller	
17	200273	3	GEAR, Planet	
18	170222	1	CIRCLIP	
19	150018	1	BEARING, Roller	
20	160263	1	NUT, Lock	
21	190141	1	WASHER	
22	200271	1	GEAR, Ring	
23	100149	6	SCREW, Hex. Head	
24	160360	3	PLATE, Lock	
25	160190	3	PLATE, Retainer	
26	190093	1	CARRIER, Ring Gear	
27	150061	1	CONE, Bearing	
28	150062	1	CUP, Bearing	
29	161789	1	HUB	
30	140039	1	SEAL, Oil, Double lip	
31	150068	2	BEARING	
32	140192	1	SEAL, Oil	
33	160347	1	RING, Seal	
34	140159	1	O RING	
35	160346	1	SHAFT, Stub	

WHEEL DRIVE ASSEMBLY (#24)



WHEEL DRIVE ASSEMBLY (# 25)

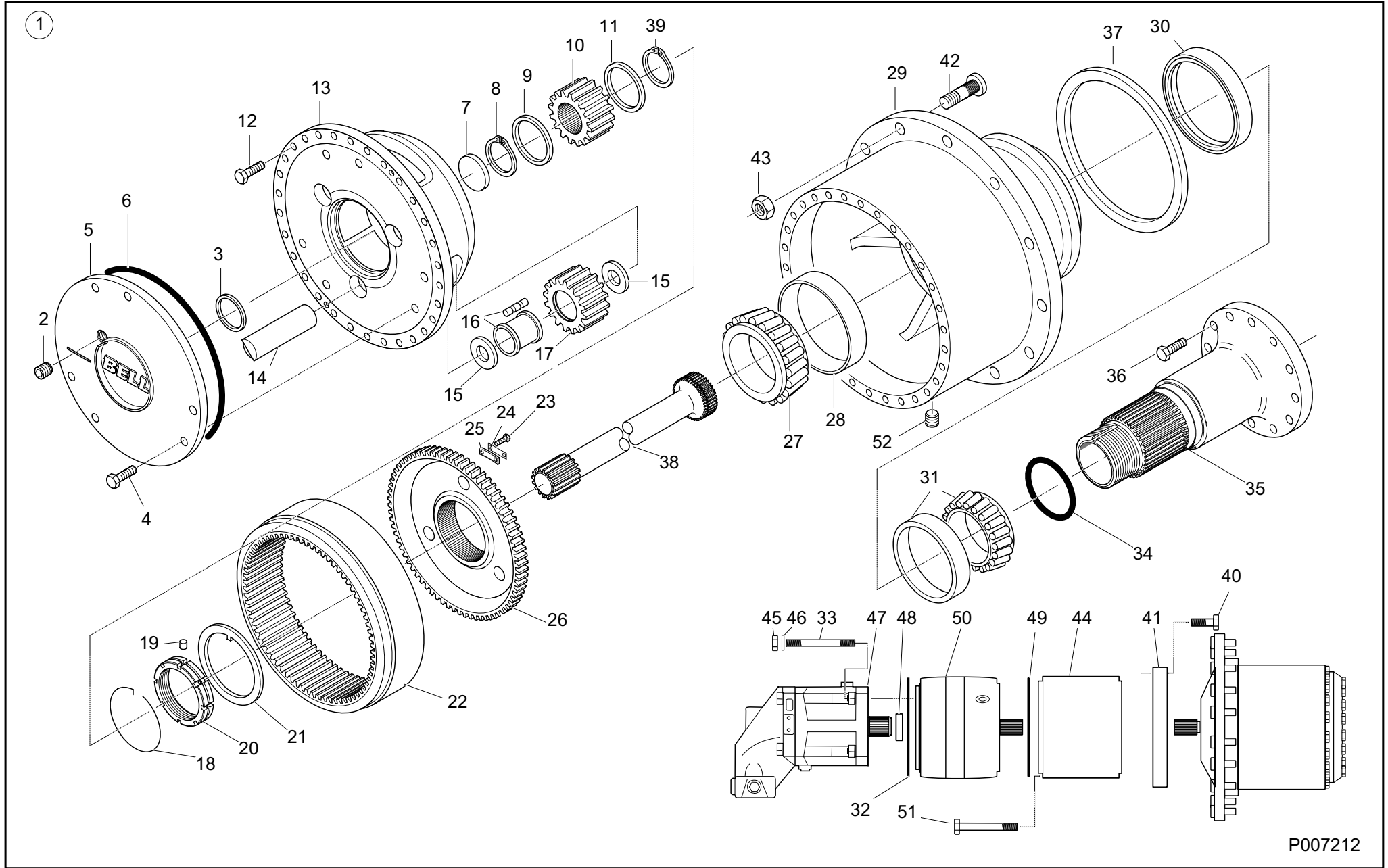


P007212

WHEEL DRIVE ASSEMBLY (# 25)

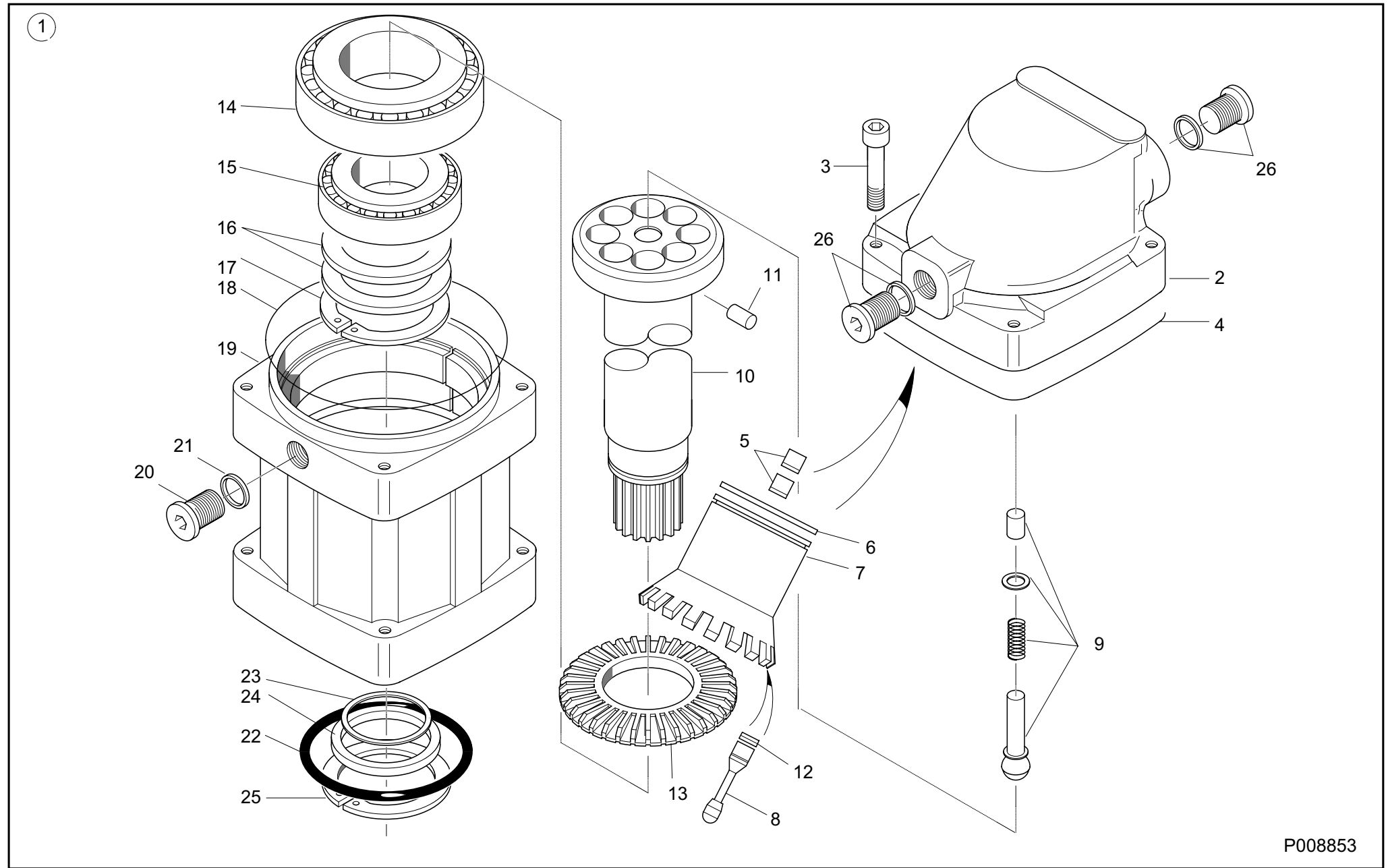
ITEM	PART NUMBER	QTY	DESCRIPTION	REMARKS
1	260529	2	WHEEL DRIVE (# 25)	
2	120019	1	PLUG	
3	100421	2	WASHER	
4	100210	6	SCREW, Hex. Head	
5	160180	1	PLATE, Cover	
6	140191	1	O RING	
7	160194	1	PLUG, Thrust, Bronze	
8	201650	1	CIRCLIP	
9	160193	1	RING, Steel	
10	200846	1	GEAR, Sun	
11	160956	1	RING, Thrust	
12	100211	24	SCREW, Hex. Head	
13	190092	1	CARRIER, Planet	
14	160181	3	PIN, Planet	
15	160182	6	SHIM, Planet	
16	150060	3	BEARING, Roller	
17	200273	3	GEAR, Planet	
18	170222	1	CIRCLIP	
19	150018	1	BEARING, Roller	
20	160263	1	NUT, Lock	
21	190141	1	WASHER	
22	200271	1	GEAR, Ring	
23	100149	6	SCREW, Hex. Head	
24	160360	3	PLATE, Lock	
25	160190	8	PLATE, Retainer, Ring	
26	190093	1	CARRIER, Ring Gear	
27	150061	1	CONE, Bearing	
28	150062	1	CUP, Bearing	
29	161789	1	HUB	
30	162120	1	SEAL, Oil, Double lip	
31	150068	2	BEARING	
32	224860	1	GASKET	
33	100516	4	STUD	Not included in 260529
34	140159	1	O RING	
35	160346	1	SHAFT, Stub	

WHEEL DRIVE ASSEMBLY (# 25)



P007212

HYDRAULIC MOTOR (F12-40)



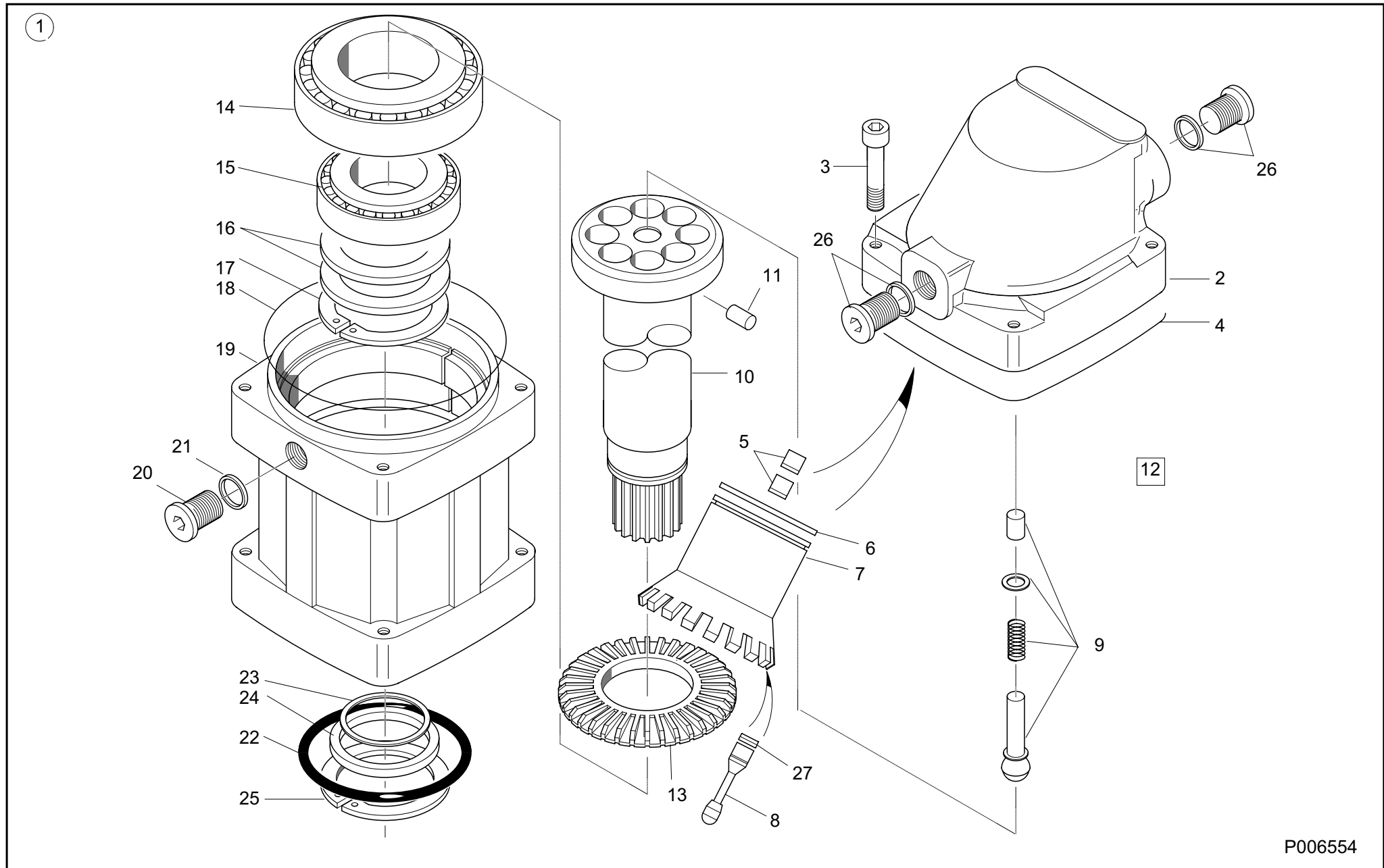
P008853



HYDRAULIC MOTOR (F12-40)

ITEM	PART NUMBER	QTY	DESCRIPTION	REMARKS
1	210296	1	HYDRAULIC MOTOR	Used up to 24-04-96
2	NSI	1	BARREL HOUSING ASSEMBLY	
3	NSI	4	SCREW, Socket, Hex.	
4	NSI	2	SHIM	
5	225075	2	BEARING, Needle	
6	225071	1	PLATE, Valve	
7	225111	1	BARREL, Housing	
8	225077	7	PISTON ASSY	
9	225076	1	SUPPORT, Barrel	
10	220599	1	SHAFT	
11	223518	1	PIN, Guide	
12	225078	21	RING, Piston	
13	225112	1	GEAR, Ring	
14	225079	1	BEARING, Tapered	
15	225080	1	BEARING, Roller	
16	220595	A/R	SHIM, 2.40	
16	220596	A/R	SHIM, 2.60	
16	220597	A/R	SHIM, 2.75	
16	220598	A/R	SHIM, 2.95	
17	NSI	1	RING, Retaining	
18	225072	1	O RING	
19	220594	1	HOUSING, Bearing	
20	NSI	1	PLUG, Bleeder	
21	NSI	1	WASHER, Seal	
22	220245	1	O RING	
23	225074	1	SEAL, Shaft	
24	NSI	1	CARRIER, Seal	
25	NSI	1	RING, Retaining	
26	NSI	2	PLUG ASSY, Hex. Socket	

HYDRAULIC MOTOR (WITH INTERNAL FLUSHING VALVE)



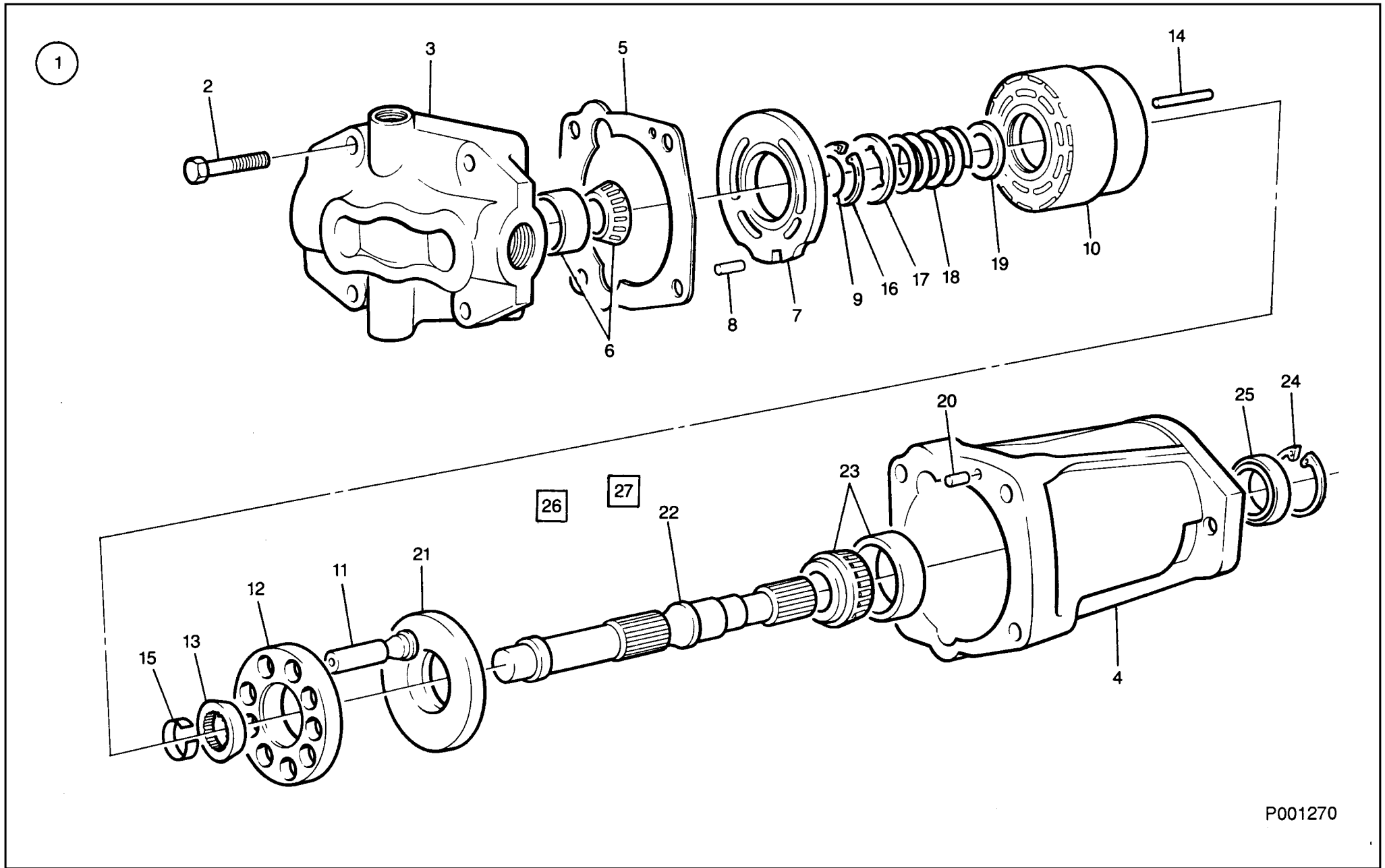
P006554



HYDRAULIC MOTOR (WITH INTERNAL FLUSHING VALVE)

ITEM	PART NUMBER	QTY	DESCRIPTION	REMARKS
1	210304	1	HYDRAULIC MOTOR	Used from 24-04-96
2	NSI	1	BARREL HOUSING ASSY	
3	NSI	4	SCREW, Socket, Hex.	
4	NSI	2	SHIM	
5	225075	2	BEARING, Needle	
6	225071	1	PLATE, Valve	
7	225111	1	BARREL, Housing	
8	225077	7	PISTON ASSY	
9	225076	1	SUPPORT, Barrel	
10	220599	1	SHAFT	
11	223518	1	PIN, Guide	
12	* 225042	1	VALVE, Flushing	* Not supplied with Hydraulic Motor
13	225112	1	GEAR, Ring	
14	225079	1	BEARING, Tapered	
15	225080	1	BEARING, Roller	
16	220595	A/R	SHIM, 2.40	
16	220596	A/R	SHIM, 2.60	
16	220597	A/R	SHIM, 2.75	
16	220598	A/R	SHIM, 2.95	
17	NSI	1	RING, Retaining	
18	225072	1	O RING	
19	220594	1	HOUSING, Bearing	
20	NSI	1	PLUG, Bleeder	
21	NSI	1	WASHER, Seal	
22	220245	1	O RING	
23	225074	1	SEAL, Shaft	
24	NSI	1	CARRIER, Seal	
25	NSI	1	RING, Retaining	
26	NSI	2	PLUG ASSY, Hex. Socket	
27	225078	21	RING, Piston	

HYDRAULIC MOTOR ASSEMBLY



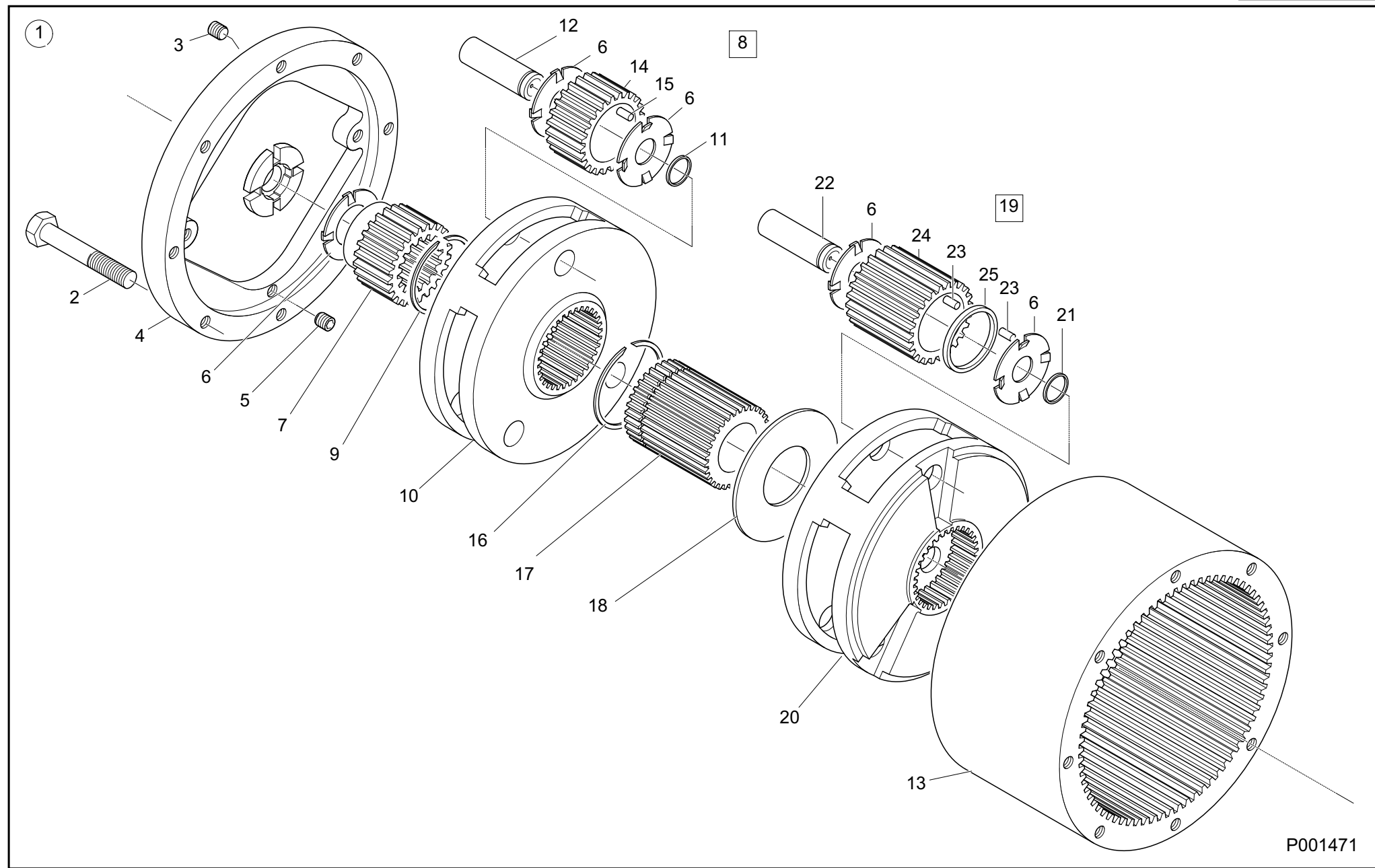
P001270



HYDRAULIC MOTOR ASSEMBLY

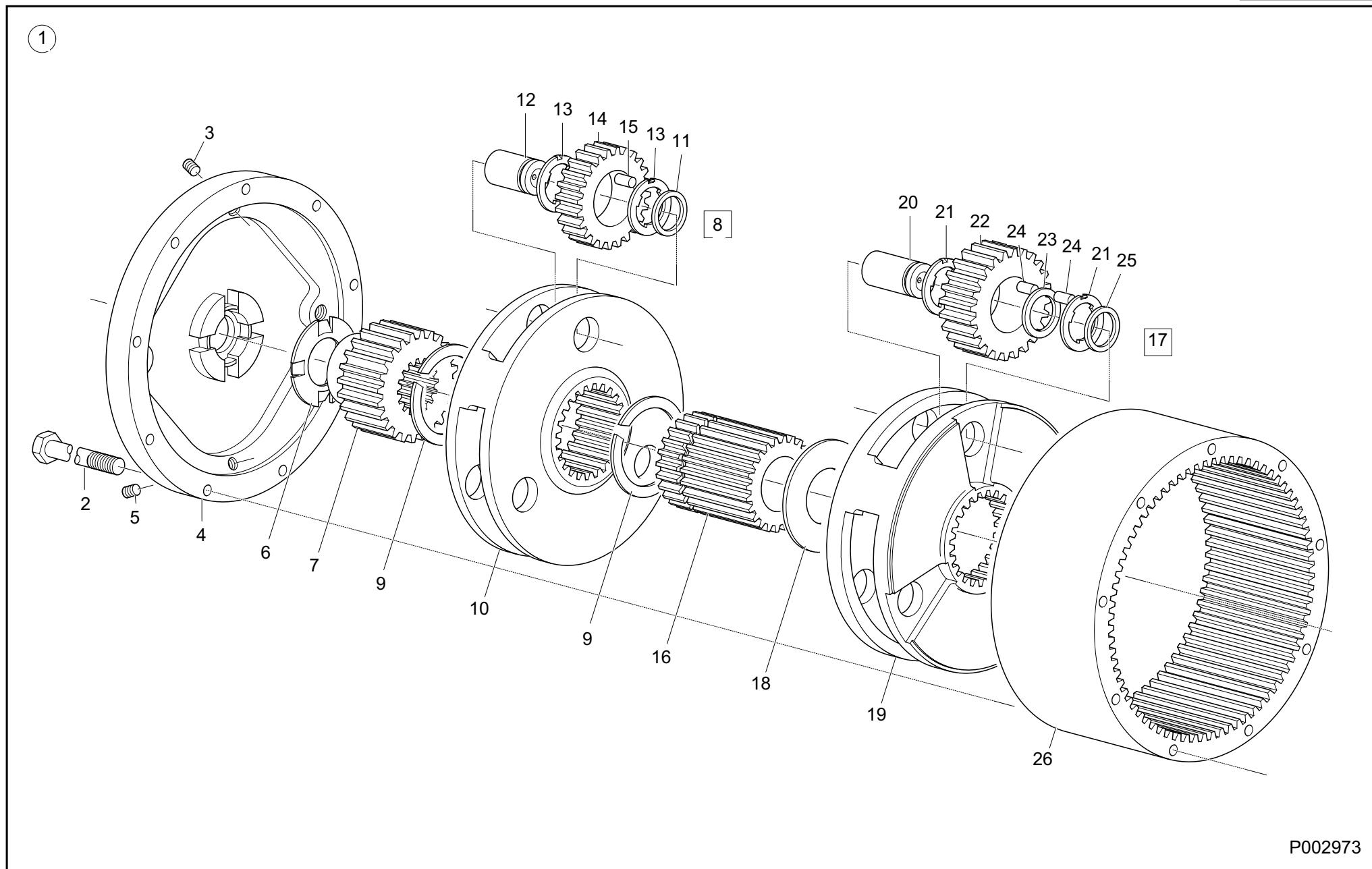
ITEM	PART NUMBER	QTY	DESCRIPTION	REMARKS
1	210304	1	WHEEL MOTOR ASSEMBLY	MFE 19
2	220361	4	SCREW	
3	221472	1	CAP, End	
4	220377	1	HOUSING	
5	220363/*	1	GASKET	
6	150024	1	BEARING, Cup and Cone	
7	220364	1	PLATE, Wafer	
8	220324	1	PIN	
9	**	1	SPACER	
10	**	1	CYLINDER BLOCK	
11	**	9	PISTON AND SHOE	
12	**	1	SHOE PLATE	
13	**	1	WASHER, Spherical	
14	**	3	PIN	
15	**	1	RETAINER, Pin	
16	**	1	RING, Retaining	
17	**	1	WASHER	
18	**	1	SPRING	
19	**	1	WASHER, Pin	
20	220371	2	PIN	
21	**	1	PLATE, Swash	
22	220369	1	SHAFT	
23	150021	1	BEARING, Cup and Cone	
24	220304	1	RING, Retaining	
25	220337/*	1	SEAL	
26	220380	1	KIT, Seal, Wheel Motor Assy	Includes Items Marked *
27	220379	1	KIT, Rotating Group	Includes Items Marked **

PRIMARY REDUCTION ASSEMBLY (MODEL 6, 14:1)



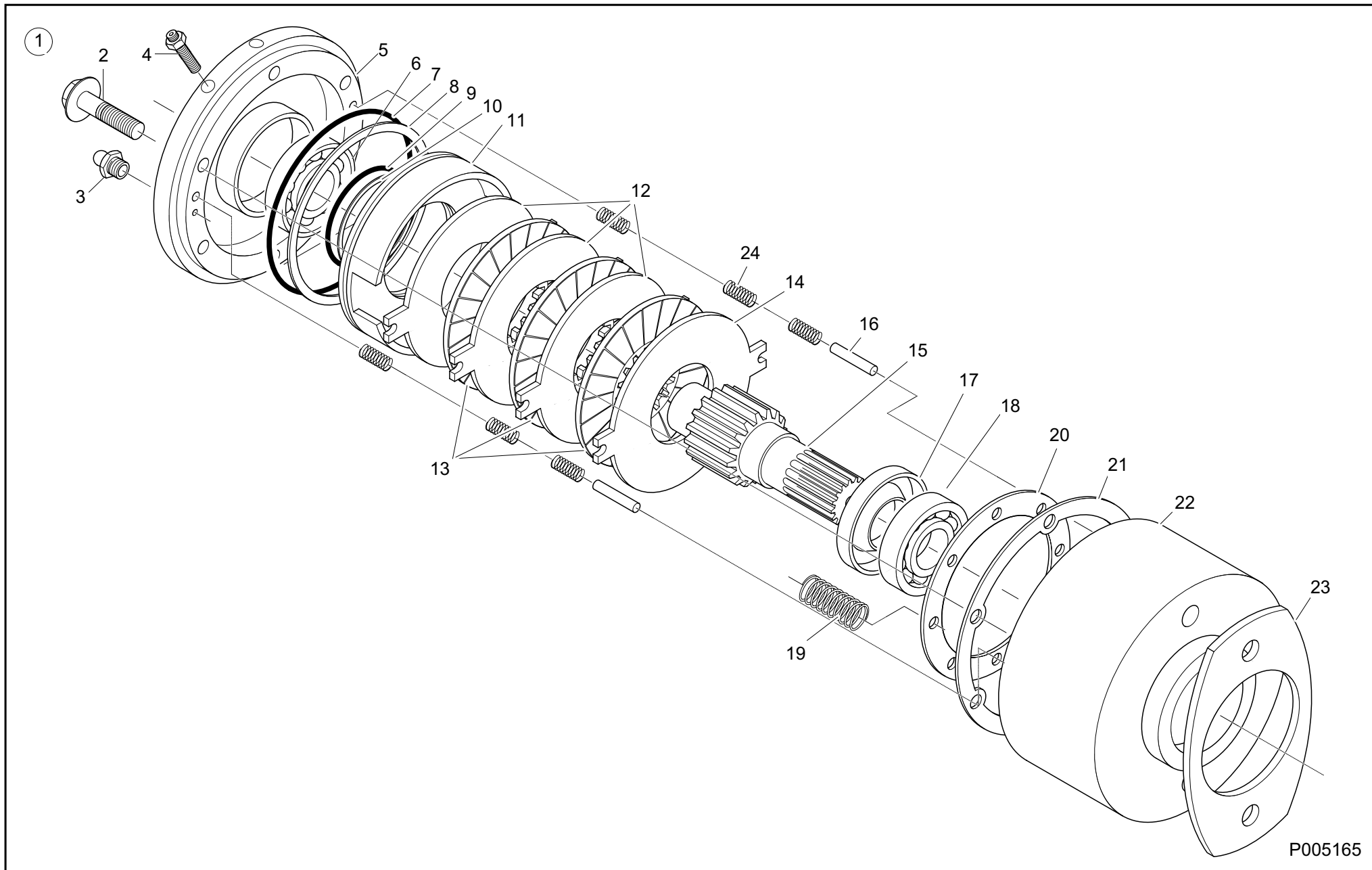
P001471

PRIMARY REDUCTION ASSEMBLY (MODEL 15.39:1)



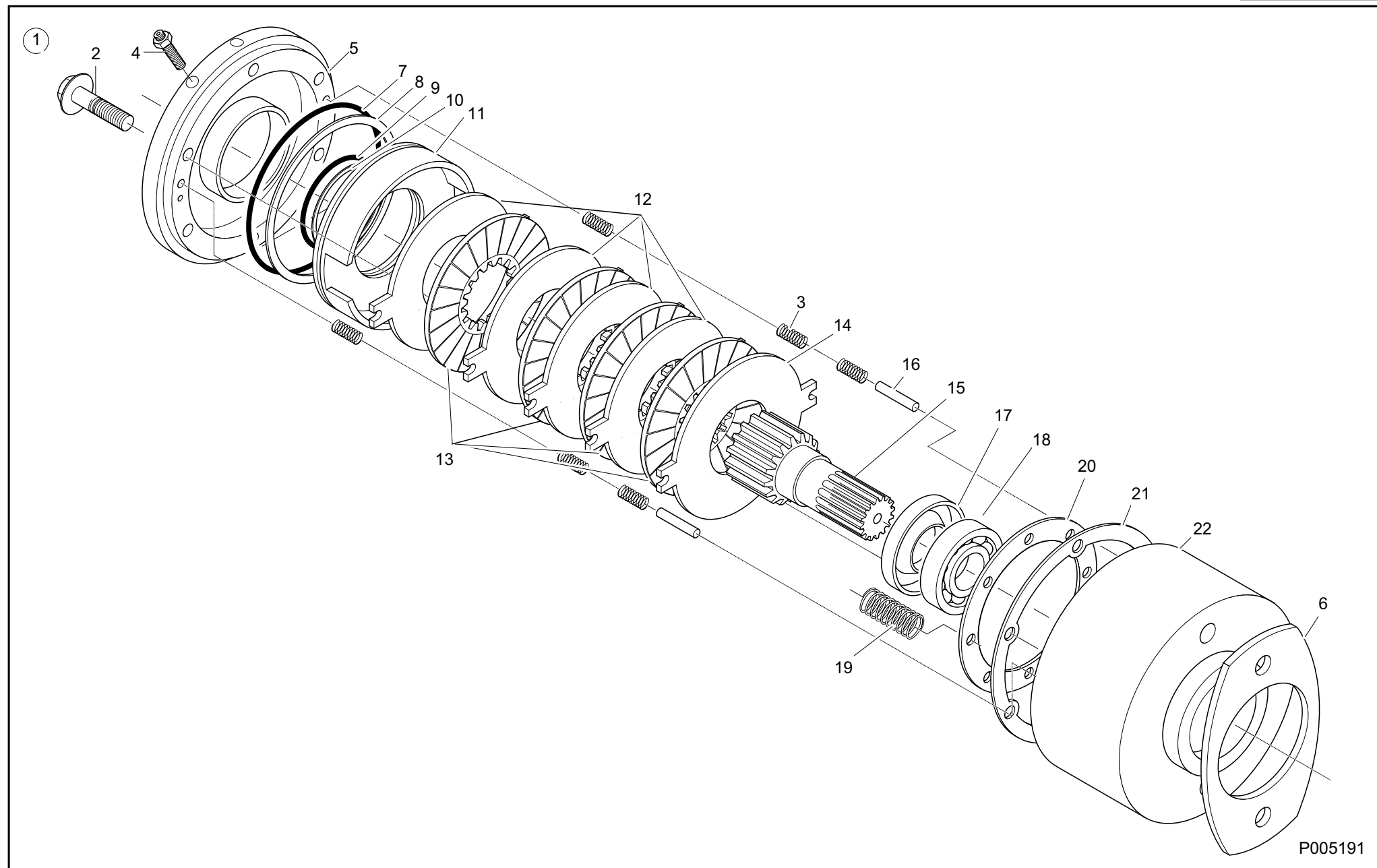
P002973

MULTI DISC BRAKE ASSEMBLY



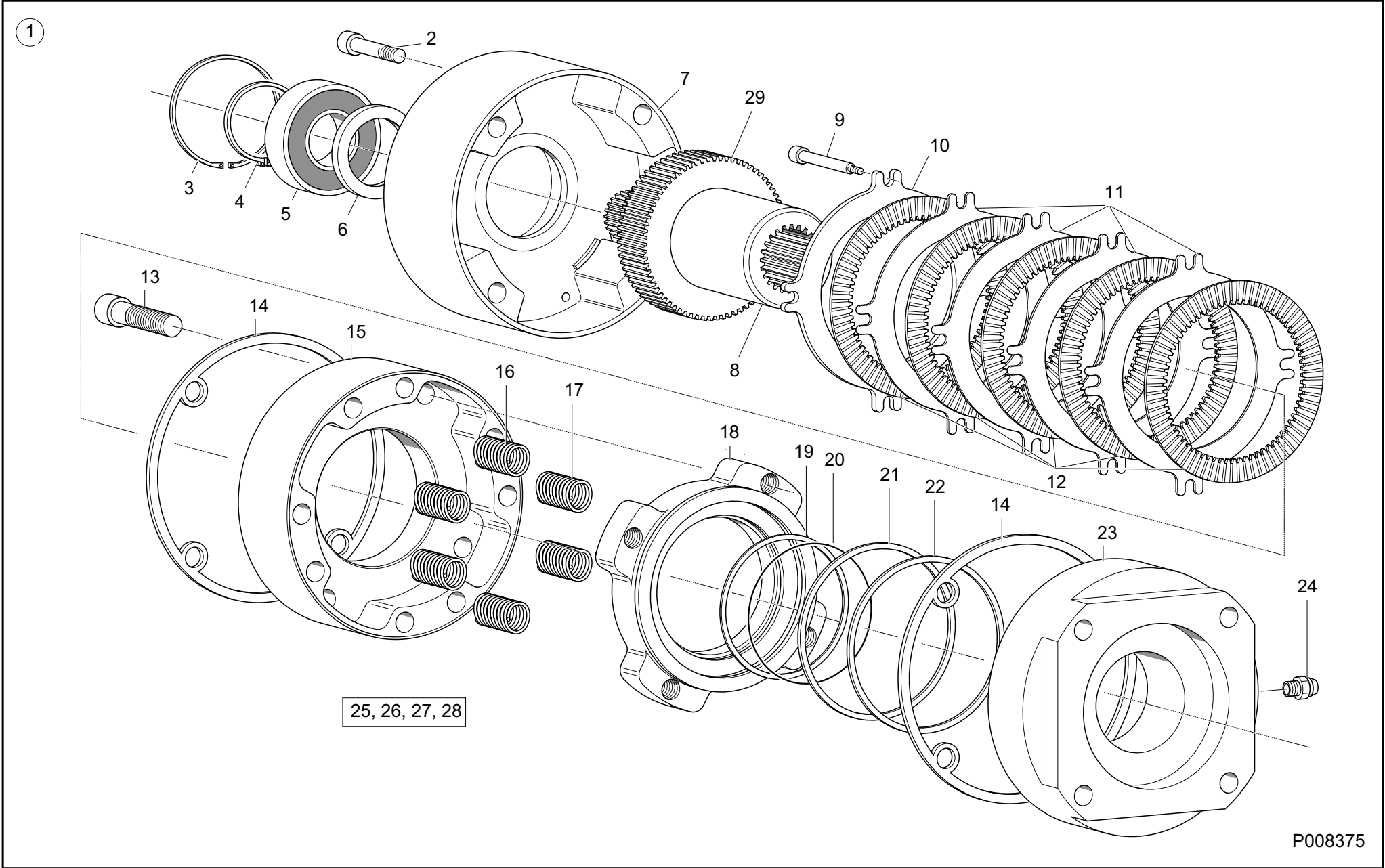
P005165

MULTI DISC BRAKE ASSEMBLY



P005191

MULTI DISC BRAKE ASSEMBLY



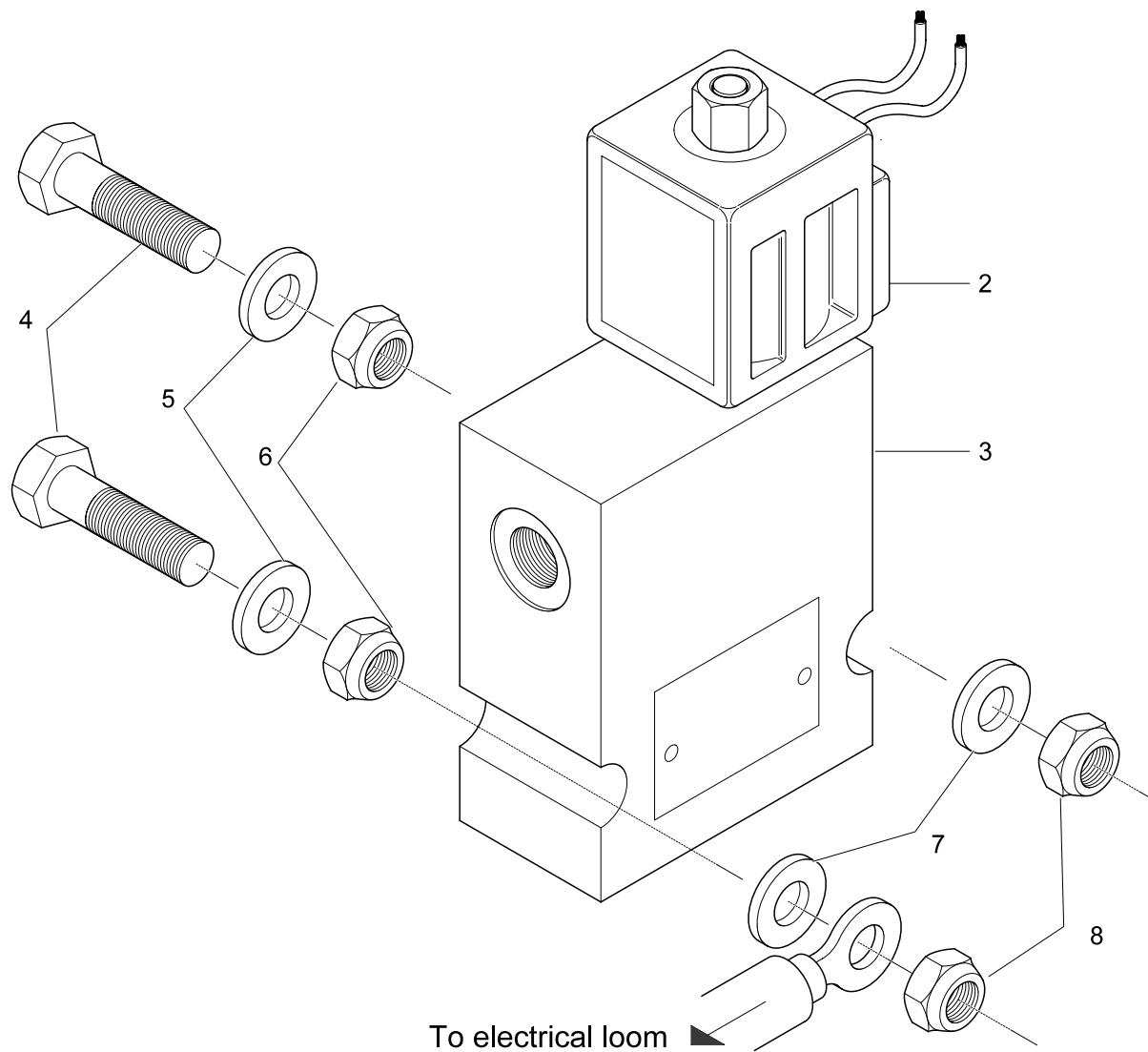
P008375

MULTI DISC BRAKE ASSEMBLY

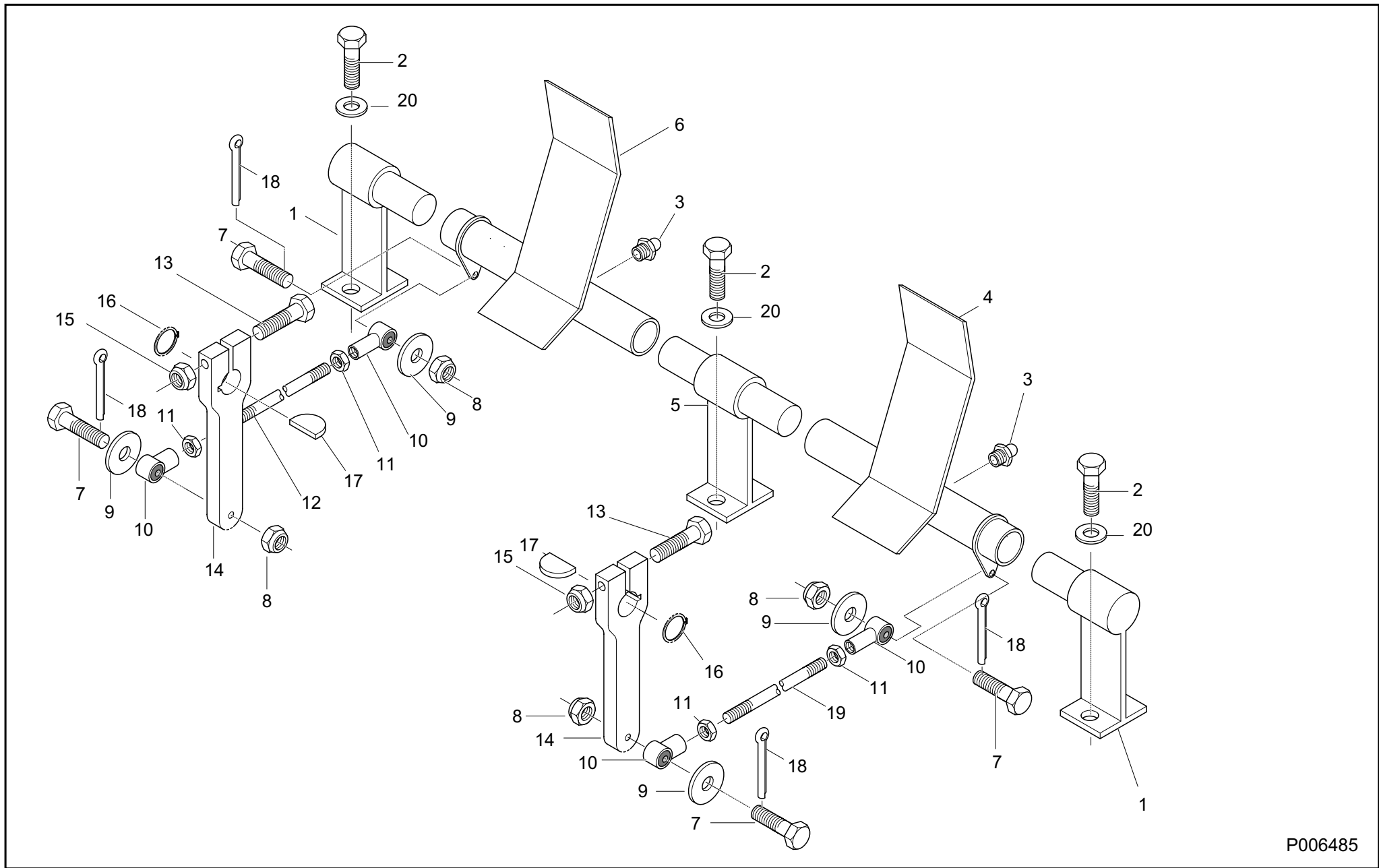
ITEM	PART NUMBER	QTY	DESCRIPTION	REMARKS
1	205119	1	MULTI DISC BRAKE ASSEMBLY	4 BOLT "C" MOUNT
2	NSI	2	BOLT, Socket Head	
3	NSI	1	CIRCLIP	
4	NSi	1	CIRCLIP	
5	***	1	BEARING	
6	*/***	1	SEAL, Oil	
7	NSI	1	COVER	
8	220390	1	SHAFT, Brake Failsafe	
9	NSI	1	BOLT, Shoulder, Socket Head	
10	**	1	DISC, Primary	
11	**	5	DISC, Rotor	
12	**	4	DISC, Stator	
13	NSI	4	SCREW, Socket Head	
14	221342	2	GASKET, Case	Gasket included in items 25, 26, 27, 28
15	NSI	1	PLATE, Spring	
16	****	4	SPRING, Red	
17	****	2	SPRING, Blue	
18	NSI	1	PISTON	
19	*	1	RING, Backup	
20	*	1	PISTON	
21	*	1	RING, Backup	
22	*	1	O-RING	
23	NSI	1	PLATE, Pressure	
24	220386	1	KIT, O Ring and Backup Ring	Includes items marked *
25	220387	1	KIT, Standard Torque Lining	Includes items marked **
26	220388	1	KIT, Bearing	Includes items marked ***
27	220389	1	KIT, Spring	Includes items marked ****
29	220664	1	GEAR, Spline	

BRAKE RELEASE VALVE

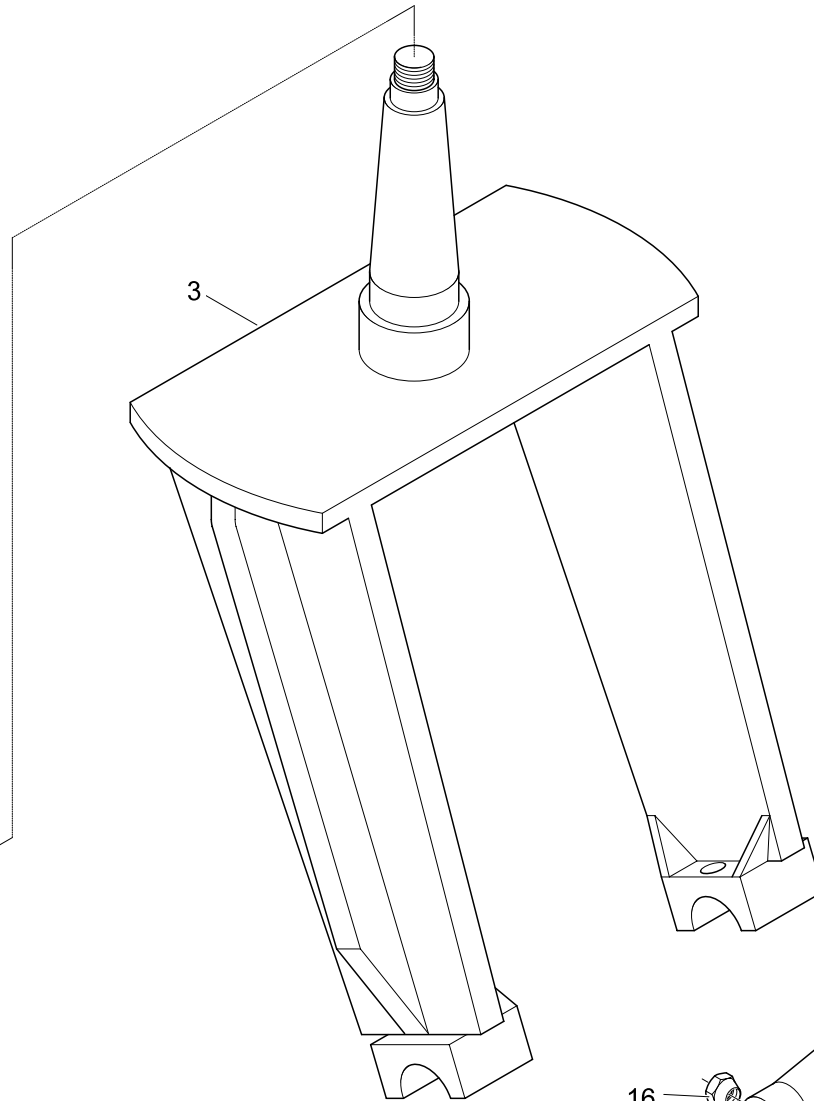
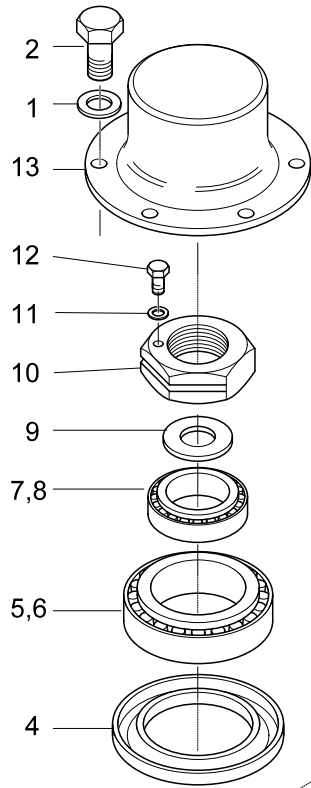
1



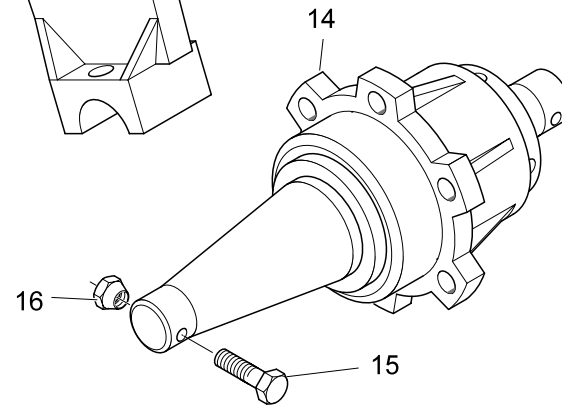
P005190



TAIL WHEEL ASSEMBLY

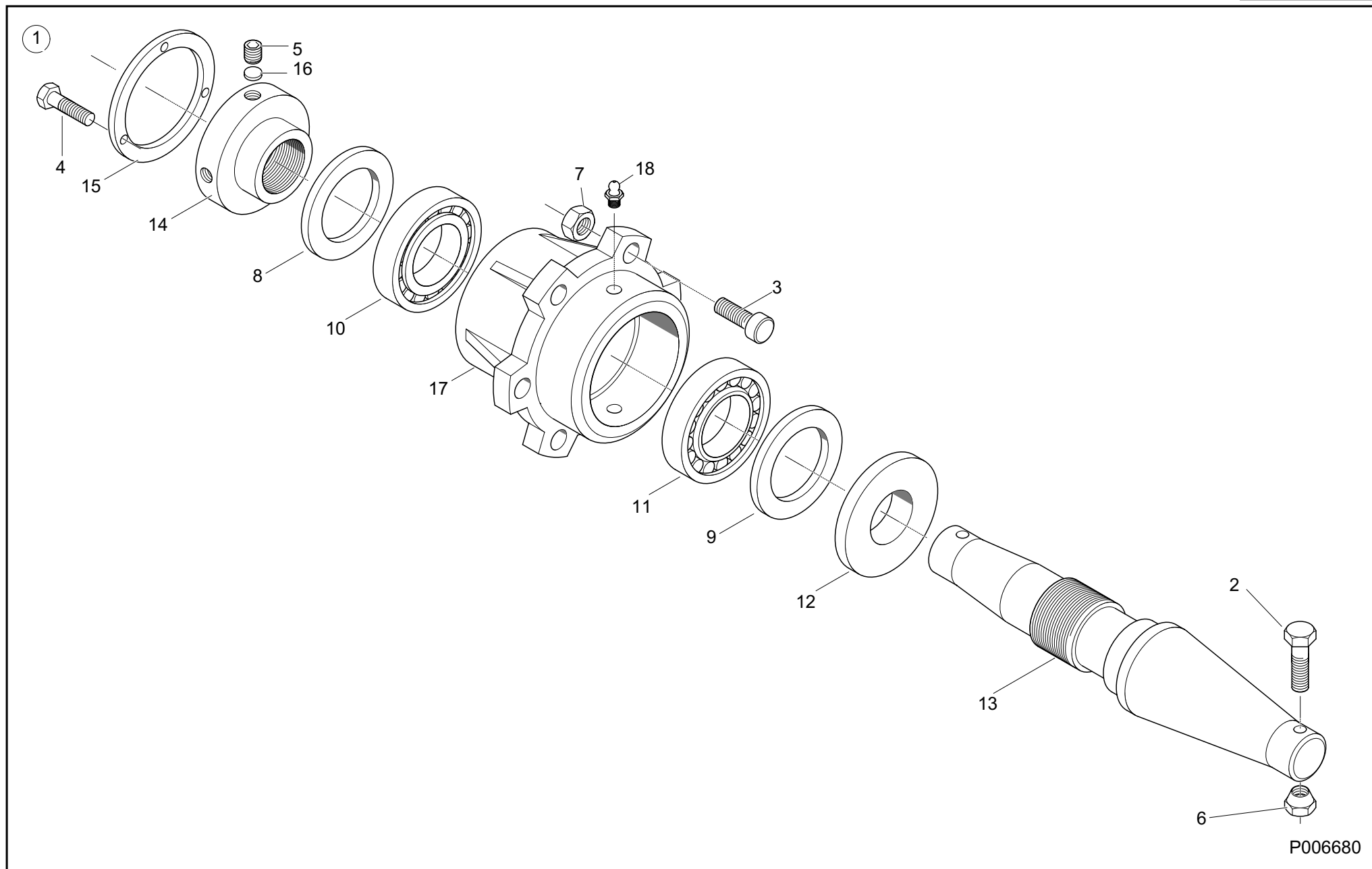


NOTE: The tail wheel locking nut has to be on the RIGHT HAND SIDE of the tail wheel assembly, when the machine is in a drive forward position and the tail wheel fork is facing backwards.



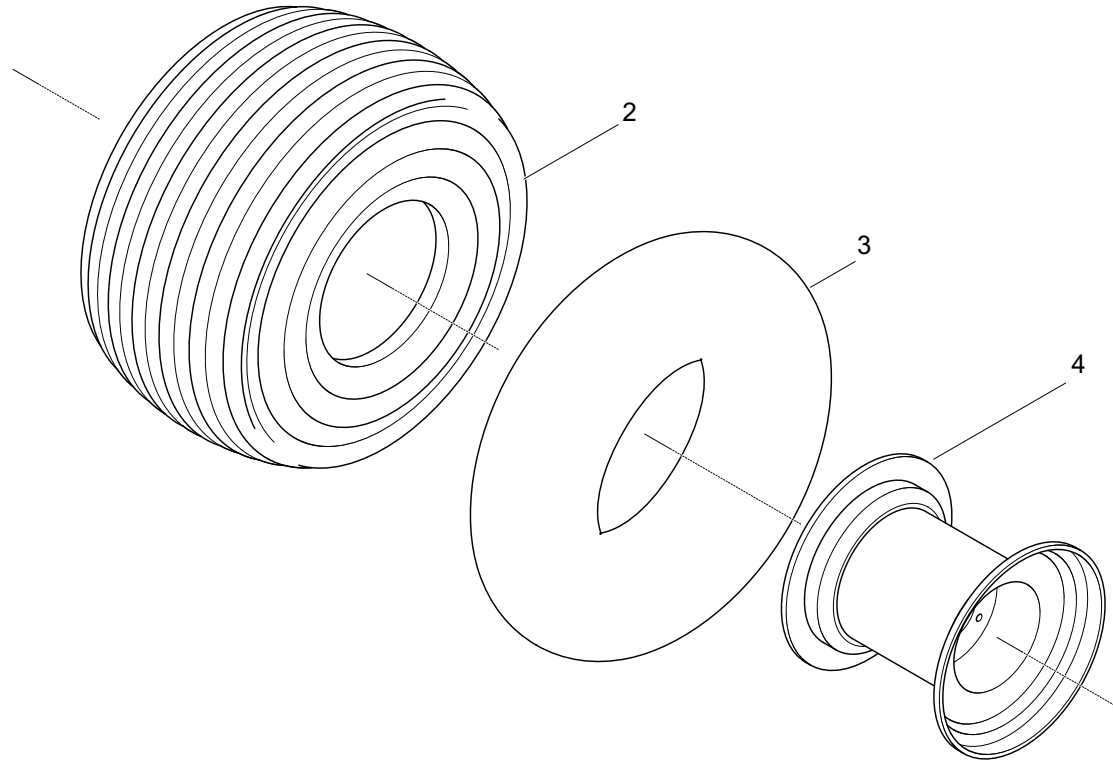
P008058

TAIL WHEEL AXLE



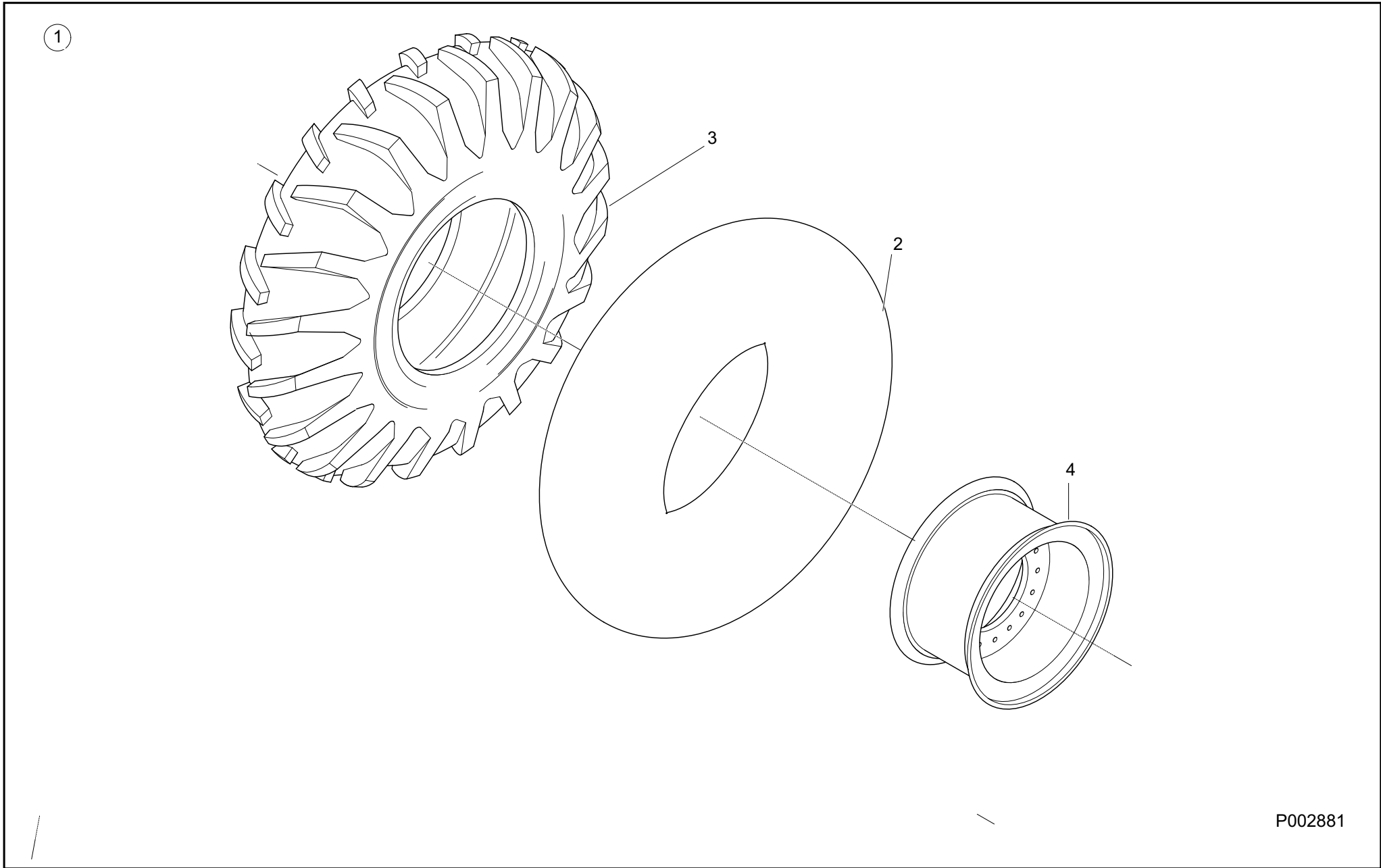
WHEEL ASSEMBLY (400 X 15.5, 10 PLY)

①

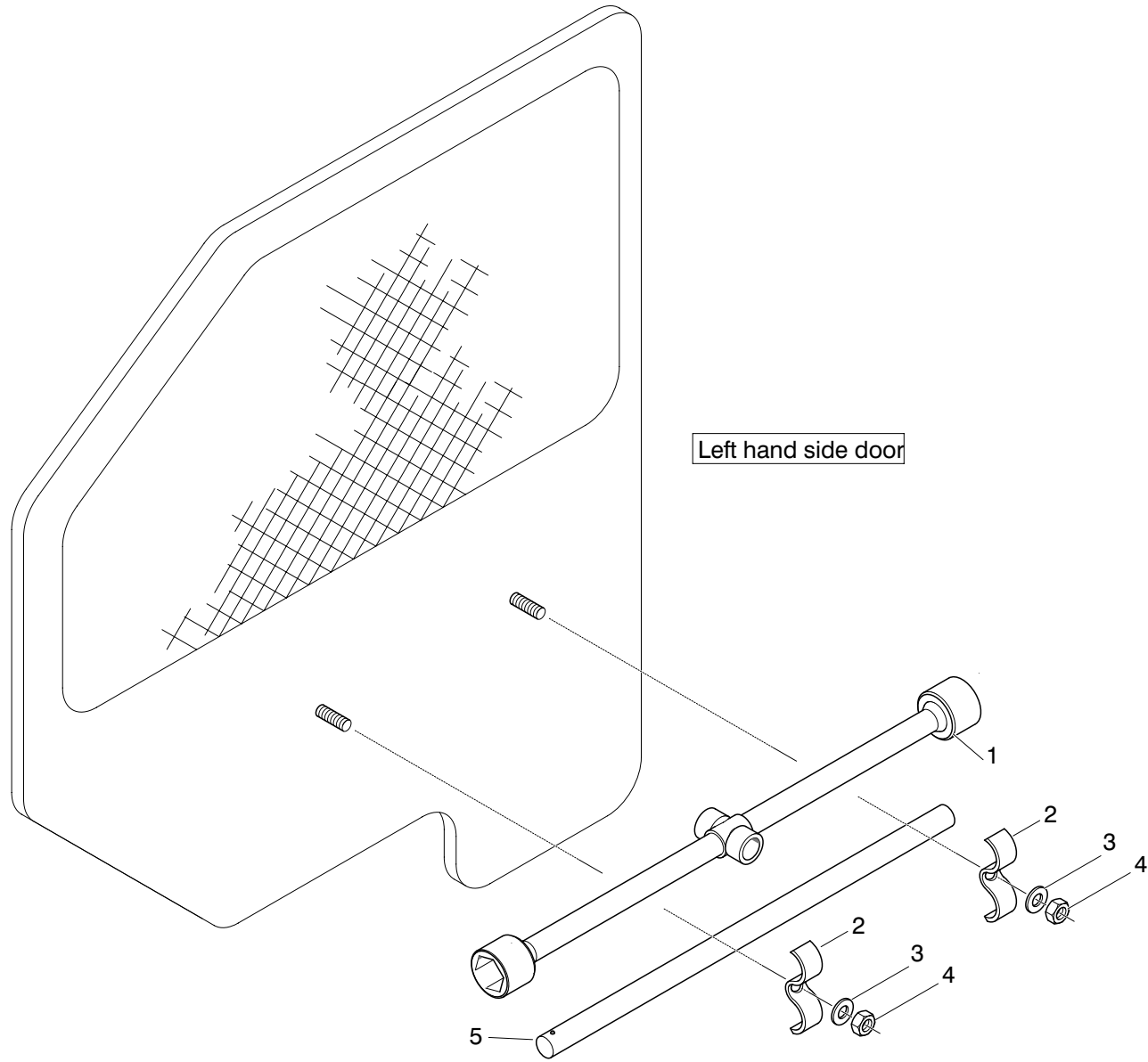


P005203

WHEEL ASSEMBLY (18.4 x 26, 10 PLY)



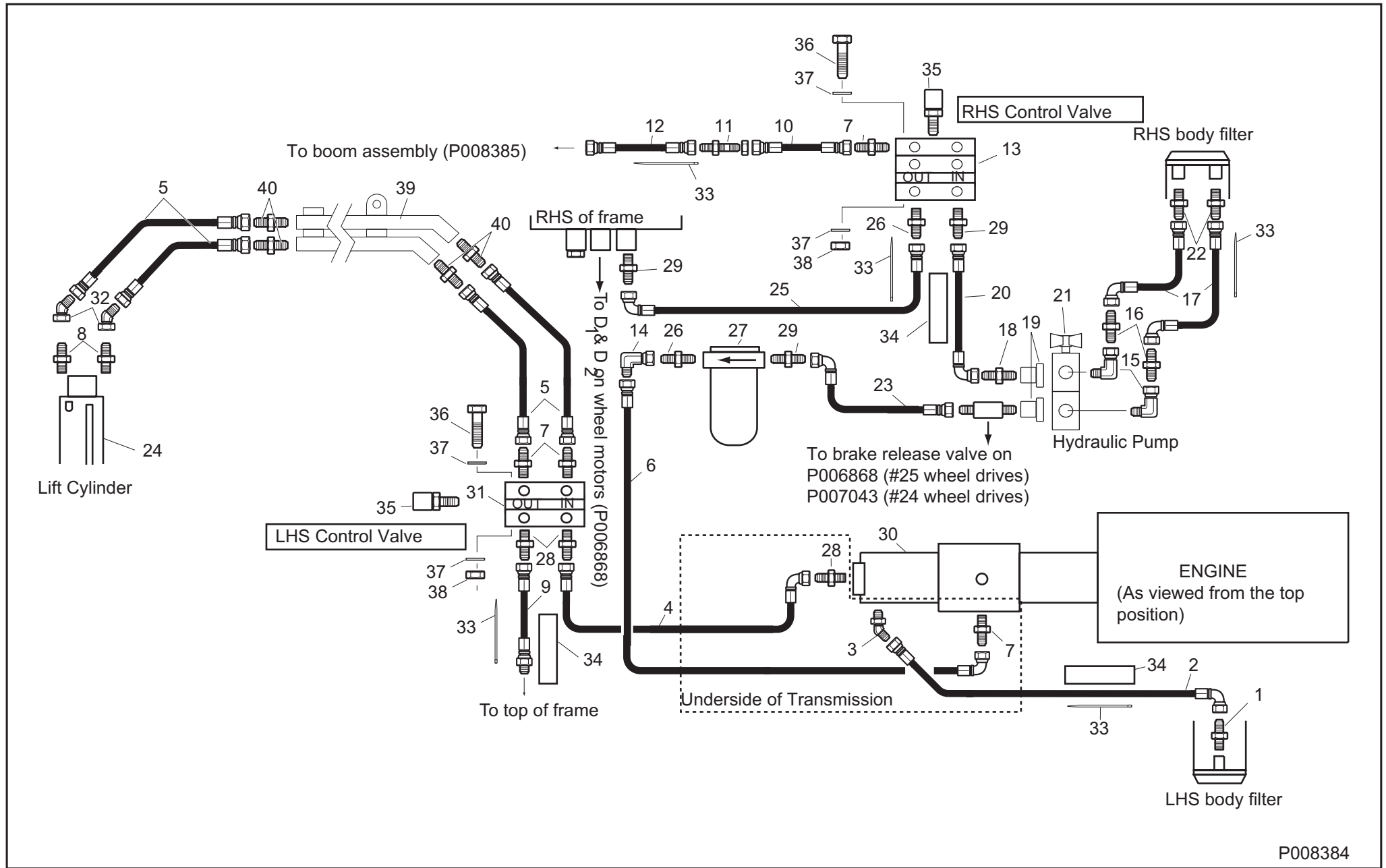
P002881



P005224

SECTION 4. HYDRAULIC SYSTEM

HYDRAULIC SYSTEM



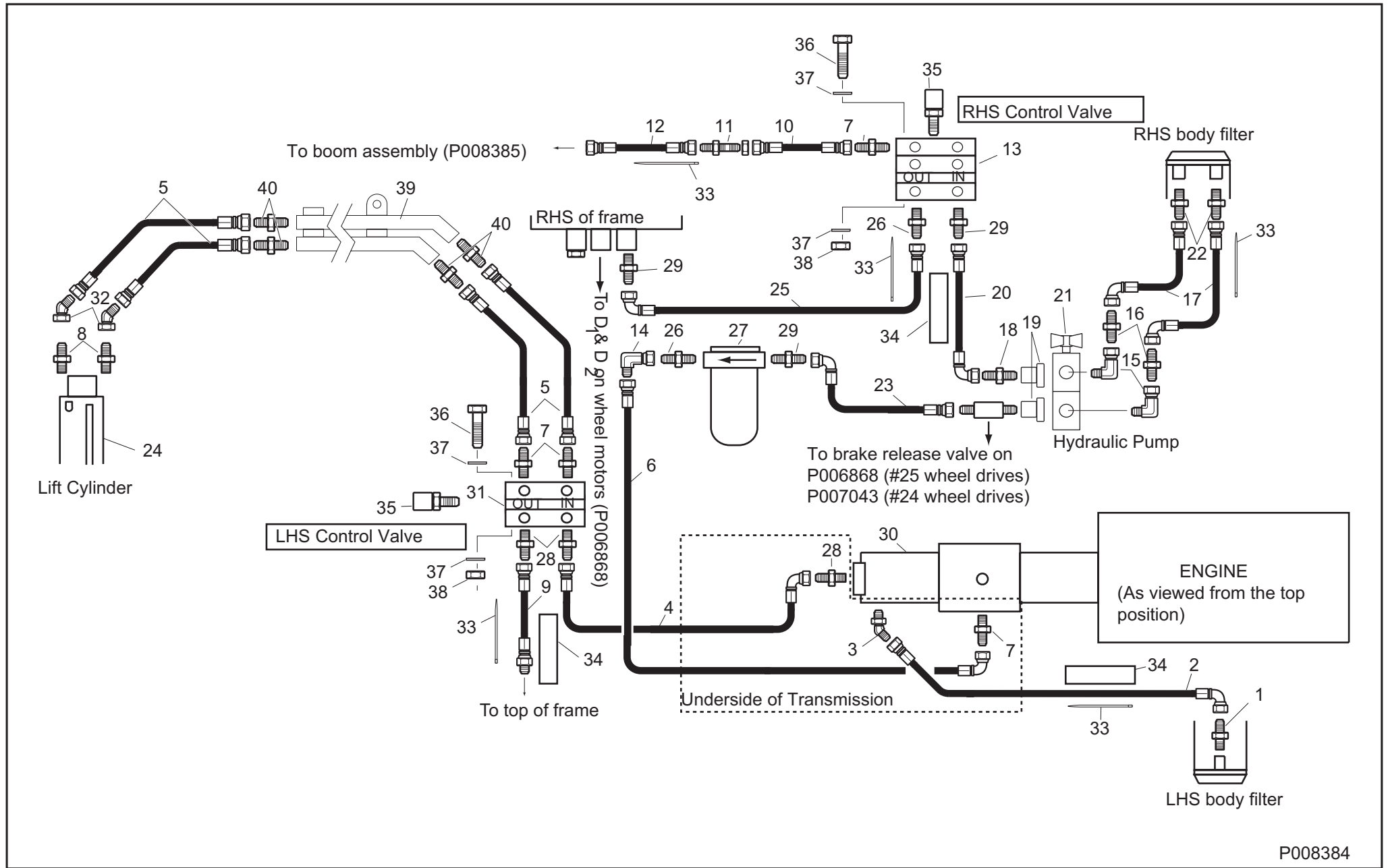
P008384



HYDRAULIC SYSTEM

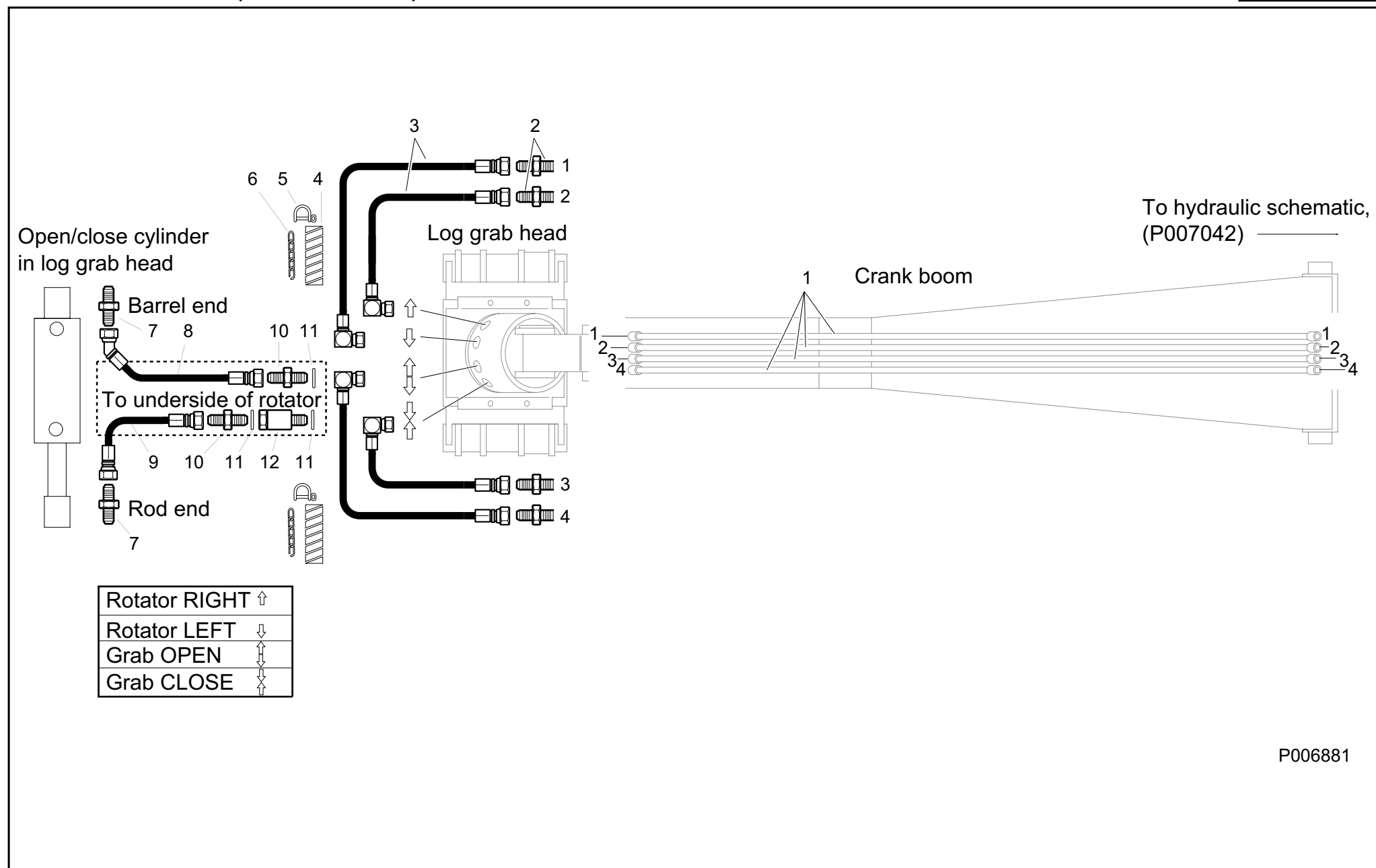
ITEM	PART NUMBER	QTY	DESCRIPTION	REMARKS
1	120117	1	CONNECTOR	
2	240666	1	HOSE ASSY	
3	120116	1	ELBOW	
4	240033	1	HOSE ASSY	
5	241246	4	HOSE ASSY	
6	240146	1	HOSE ASSY	
7	120049	9	CONNECTOR	
8	120002	2	CONNECTOR	
9	240208	1	HOSE ASSY	
10	240675	4	HOSE ASSY	
11	120313	4	BULKHEAD	
12	241242	4	HOSE ASSY	
13	210082	1	VALVE, Control	2 Bank
14	120101	1	ELBOW	
15	120118	2	FITTING	Includes O-ring and mounting screws
16	190073	2	ADAPTOR	Includes ferrel and locking nut
17	240195	2	HOSE ASSY	
18	190031	1	ADAPTOR	
19	120122	2	FITTING	Includes ferrel and locking nut
20	240206	1	HOSE ASSY	
21	210166	1	PUMP, Hydraulic	BOSCH Double Pump
22	120035	2	CONNECTOR	
23	120032	1	HOSE ASSY	
24	230139	1	CYLINDER, Boom Lift	
25	240103	1	HOSE ASSY	
26	120026	2	CONNECTOR	
27	210034	1	FILTER UNIT	
28	120026	3	CONNECTOR	
29	120032	3	CONNECTOR	
30	210035	1	PUMP, Transmission (TA1919)	4 500 psi
31	210081	1	VALVE, 1 Bank	
32	120814	2	ELBOW	
33	200653	A/R	CABLE TIE	
34	130032	A/R	BLUE SLEEVE	
35	201739	2	TEST POINT	

HYDRAULIC SYSTEM

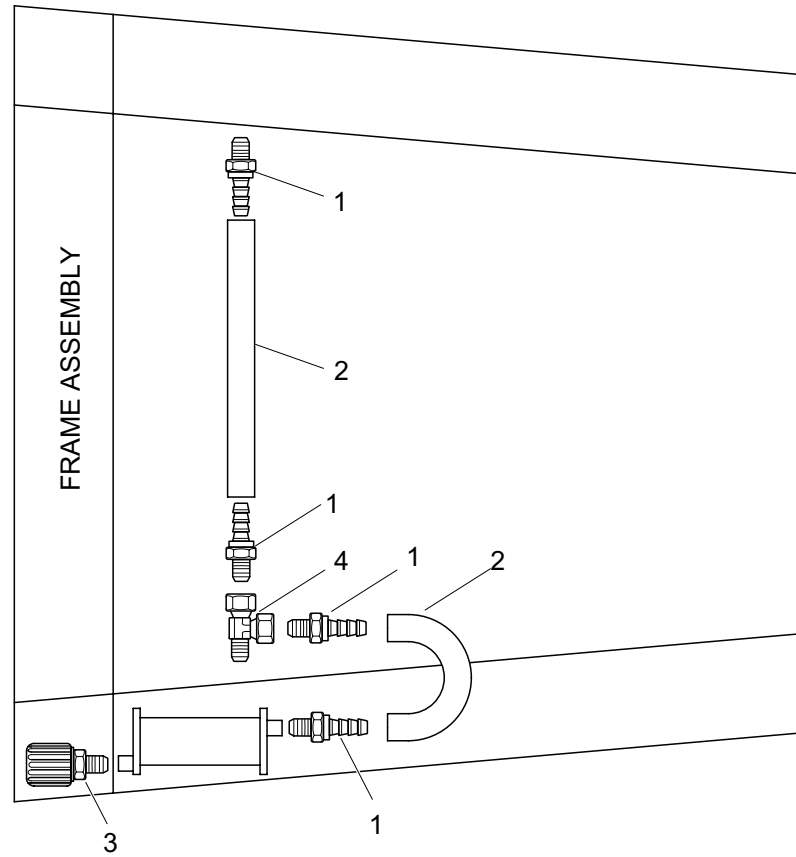


P008384

HYDRAULIC SYSTEM (BOOM SECTION)



P006881



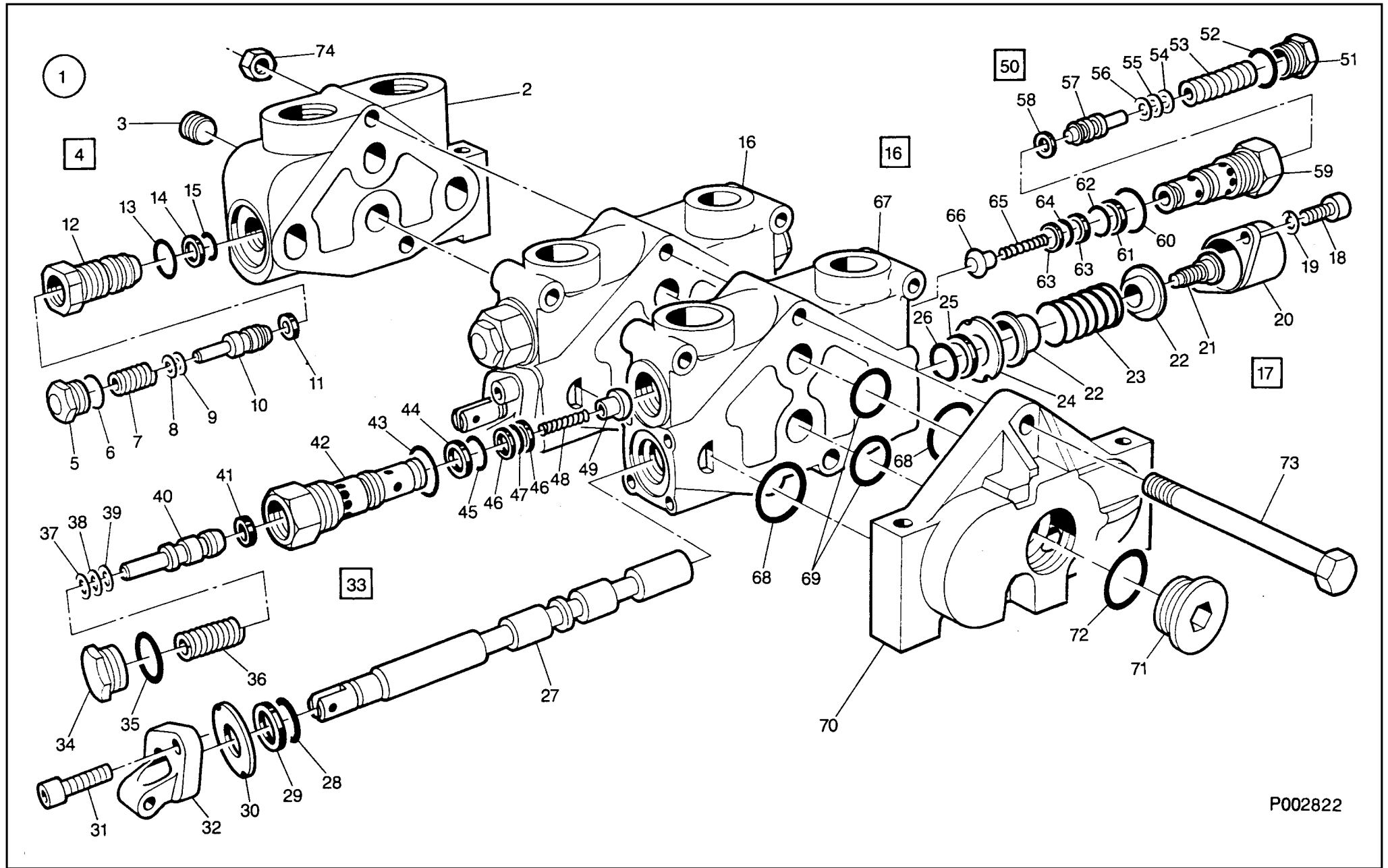
P006864



CONTROL VALVE (ONE BANK)

ITEM	PART NUMBER	QTY	DESCRIPTION	REMARKS
1	210081	1	CONTROL VALVE (ONE BANK)	
2	220222	1	COVER, Inlet	
3	NSI	1	SCREW, Grub	
4	220224	1	VALVE, Relief, Main, 2 000 psi	
5	220223	1	SECTION, Valve	
6	140320	2	KIT, Seal, In-between Section	Pre 1991
7	*	2	SCREW, Cap	
8	*	2	WASHER, Lock	
9	*	1	COVER	
10	*	1	SCREW, Adjusting	
11	*	2	COLLAR, Stop	
12	220193	1	SPRING	
13	220196	A/R	SHIM, 0.04"	
13	220197	A/R	SHIM, 0.02"	
13	220198	A/R	SHIM, 0.01"	
14	**	2	RING, Retaining	
15	**	2	O RING	Supplied with 220223
16	NSI	1	SPOOL	
17	202201	1	BRACKET	
18	NSI	2	SCREW	
19	210145	1	CARTRIDGE, Port Relief	
20	210148	1	CARTRIDGE, Port Relief, 2 000 psi	
21	140090	3	O RING	
22	140370	1	O RING	
23	210169	1	COVER, Outlet	
24	NSI	1	PLUG	
25	NSI	1	O RING	
26	NSI	3	BOLT	
27	NSI	3	NUT	
28	220205	1	KIT, Back Cover	Includes Items Marked *
29	140179	1	KIT, Seal, Neutral Positioner	Includes Items Marked **
30	222823	2	KIT, Seal, In-between Sections	Includes Item No. 21 and 22
31	140175	2	KIT, Seal, Port Relief Valve	

CONTROL VALVE (TWO BANK)

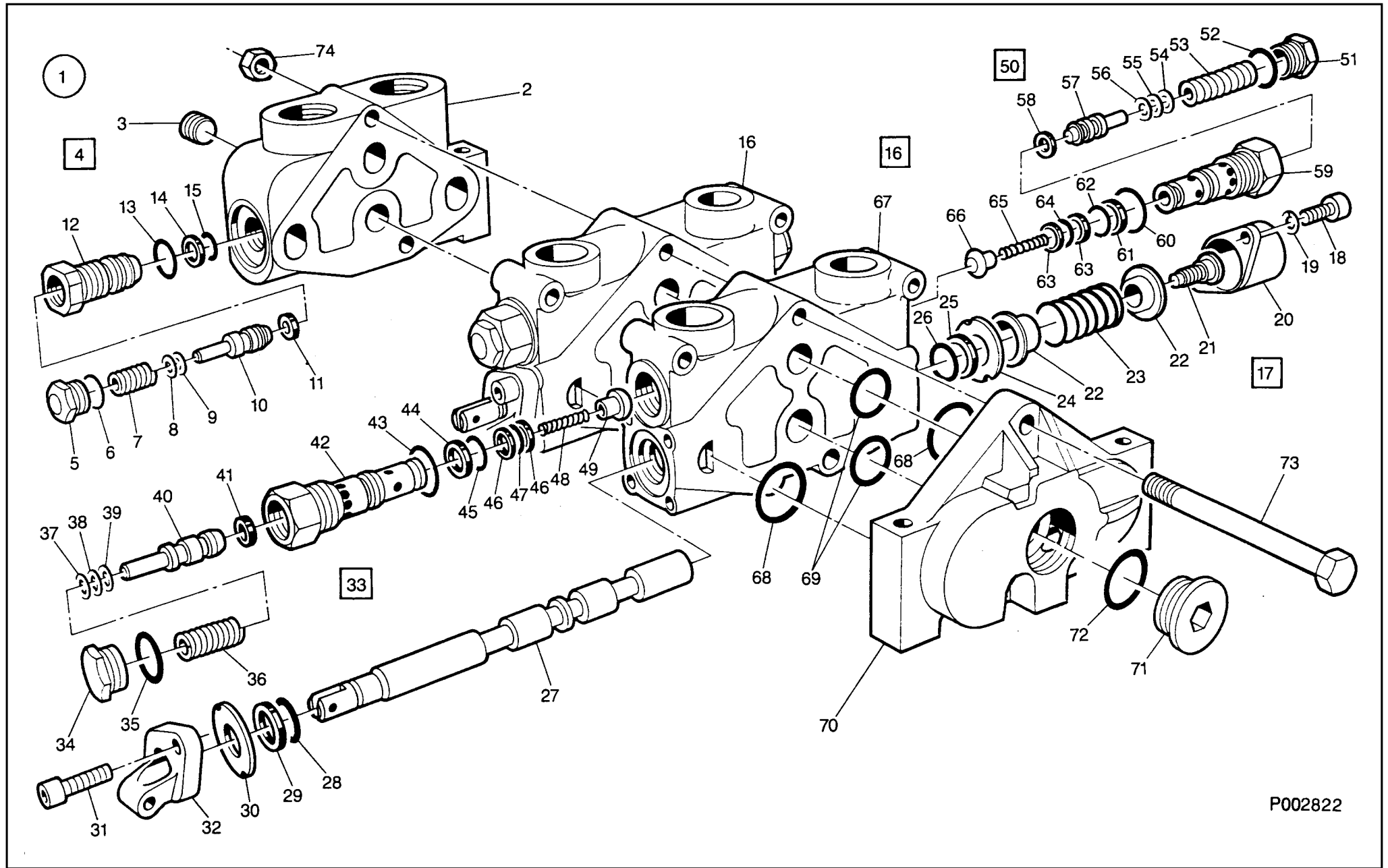


P002822

CONTROL VALVE (TWO BANK)

ITEM	PART NUMBER	QTY	DESCRIPTION	REMARKS
1	210082	1	CONTROL VALVE	
2	220222	1	COVER, Inlet	
3	NSI	1	SCREW	
4	220224	1	VALVE, Relief, Main	
5	NSI	1	CAP, End	
6	*****	1	O RING	
7	NSI	1	SPRING, Compression	
8	220196	A/R	SHIM, 0.04"	
9	220198	A/R	SHIM, 0.01"	
10	NSI	1	VALVE, Relief	
11	NSI	1	RING, Piston	
12	NSI	1	BODY, Valve, Relief	
13	*****	1	O RING	
14	*****	1	RING, Backup	
15	*****	1	O RING	
16	220223	2	SECTION, Valve	
17	*	1	POSITIONING, Return, Neutral	
18	*	2	SCREW, Hex. Head	
19	*	2	WASHER, Lock	
20	*	1	COVER	
21	*	1	SCREW, Adjusting	
22	*	2	COLLAR, Stop	
23	*	1	SPRING	
24	***	1	RETAINER, Seal	
25	***	1	RING, Backup	
26	***	1	O RING	
27	NSI	1	SPOOL	Supplied with 220223
28	***	1	O RING	
29	***	1	RING, Backup	
30	***	1	RETAINER, Seal	
31	NSI	2	SCREW, Hex. Head	
32	202201	1	BRACKET	
33	210145	1	CARTRIDGE, Port Relief	
34	NSI	1	CAP, End	
35	**	1	O RING	

CONTROL VALVE (TWO BANK)

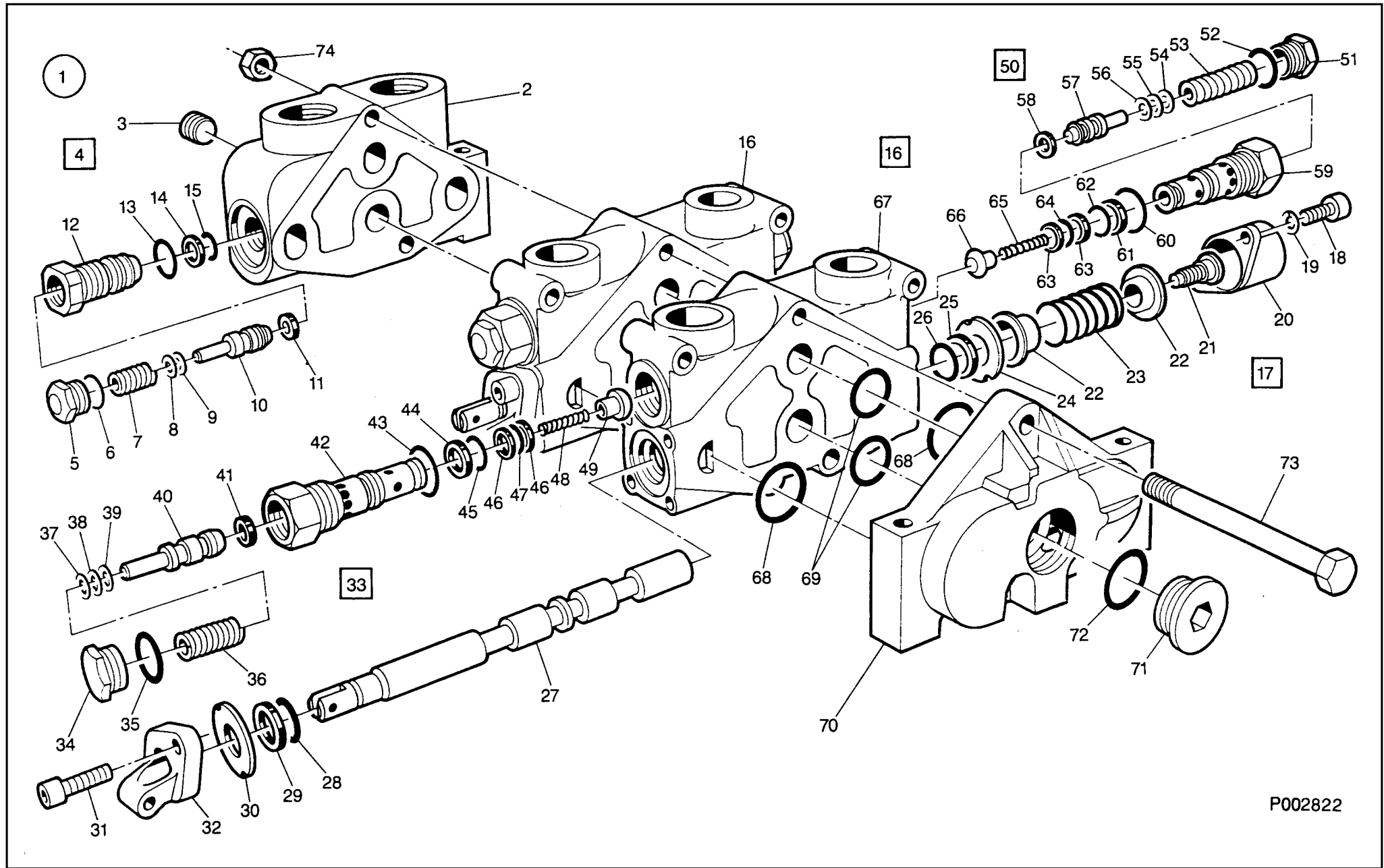


P002822

CONTROL VALVE (TWO BANK)

ITEM	PART NUMBER	QTY	DESCRIPTION	REMARKS
36	220192	1	SPRING, Compression	
37	220196	A/R	SHIM, 0.04"	
38	220197	A/R	SHIM, 0.02"	
39	220198	A/R	SHIM, 0.01"	
40	NSI	1	VALVE, Relief, Pilot	
41	NSI	1	RING, Piston	
42	NSI	1	BODY, Valve, Relief	
43	**	1	O RING	
44	**	1	RING, Backup	
45	**	1	O RING	
46	**	2	RING, Backup	
47	*	1	O RING	
48	220202	1	SPRING	
49	220201	1	VALVE, Relief, Poppet	
50	210148	1	CARTRIDGE, Port Relief, 2 000 psi	
51	NSI	1	CAP, End	
52	**	1	O RING	
53	220188	1	SPRING, Compression	
54	220196	A/R	SHIM, 0.04"	
55	220197	A/R	SHIM, 0.02"	
56	220198	A/R	SHIM, 0.01"	
57	NSI	1	VALVE, Relief, Pilot	
58	NSI	1	RING, Piston	
59	NSI	1	BODY, Valve, Relief	
60	**	1	O RING	
61	**	1	RING, Backup	
62	**	1	O RING	
63	**	2	RING, Backup	
64	**	1	O RING	
65	220202	1	SPRING	
66	220201	1	VALVE, Relief, Poppet	
67	NSI	1	BODY, Section, Work	
68	****	2	O RING	
69	****	2	O RING	
70	210169	1	COVER	

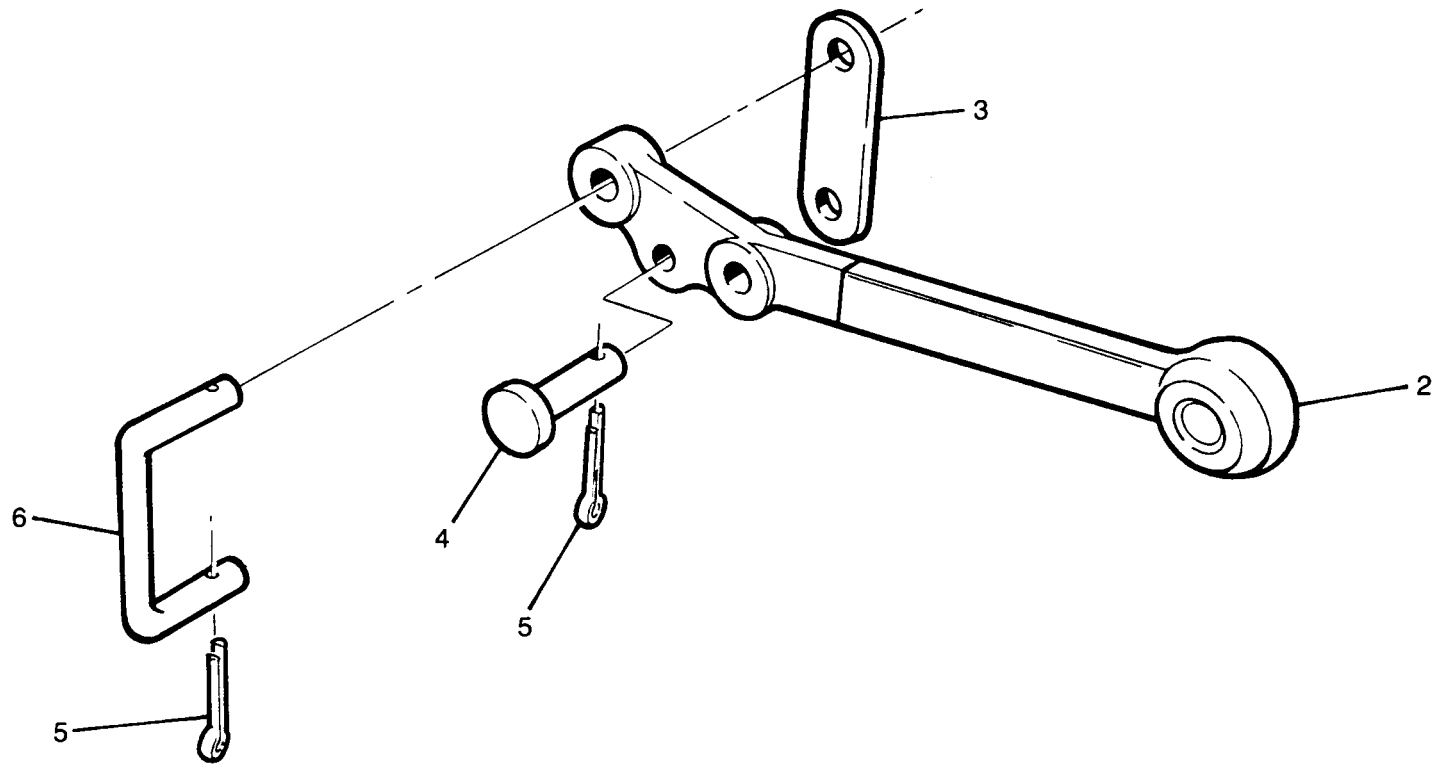
CONTROL VALVE (TWO BANK)



P002822

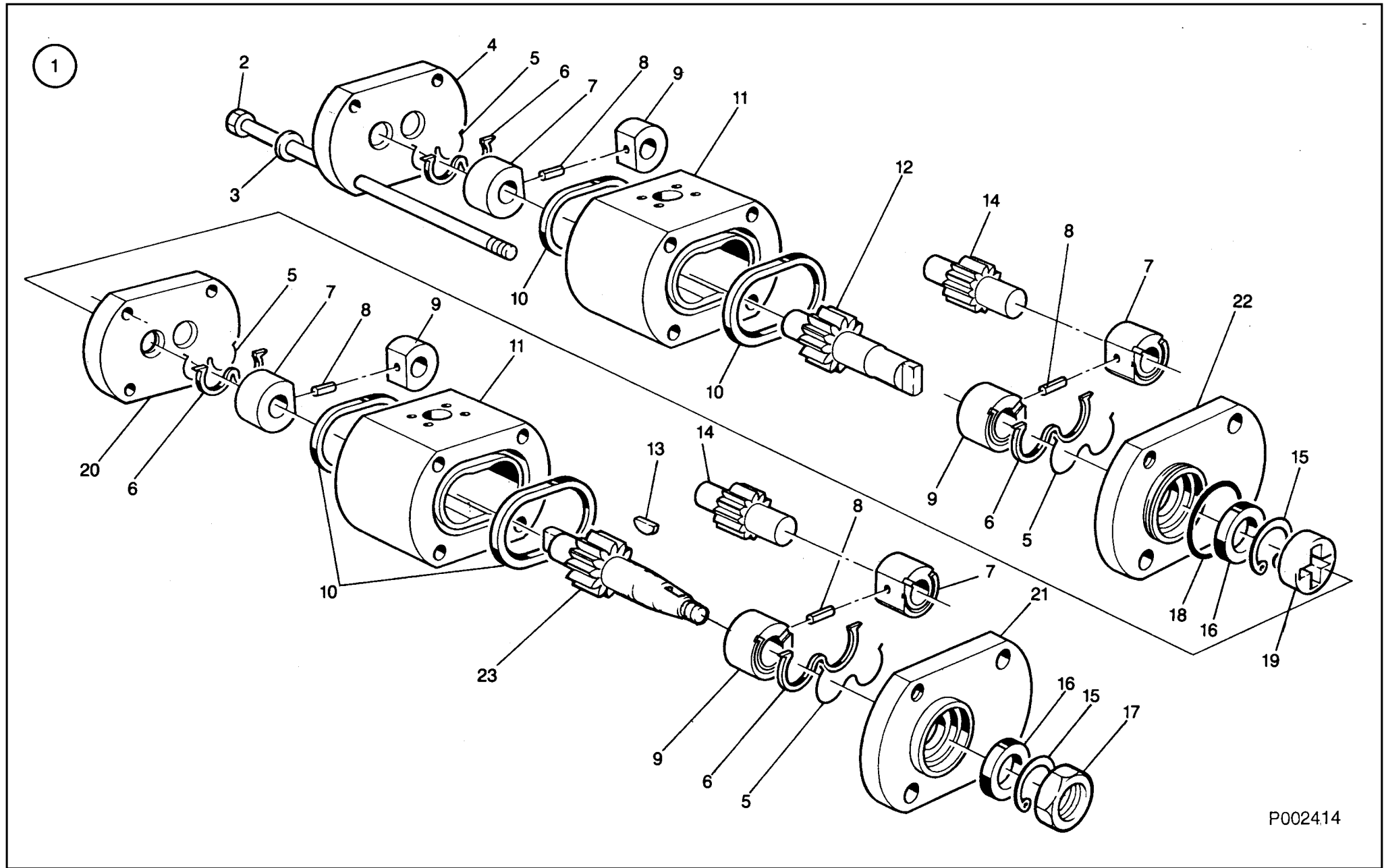
HANDLE ASSEMBLY

1



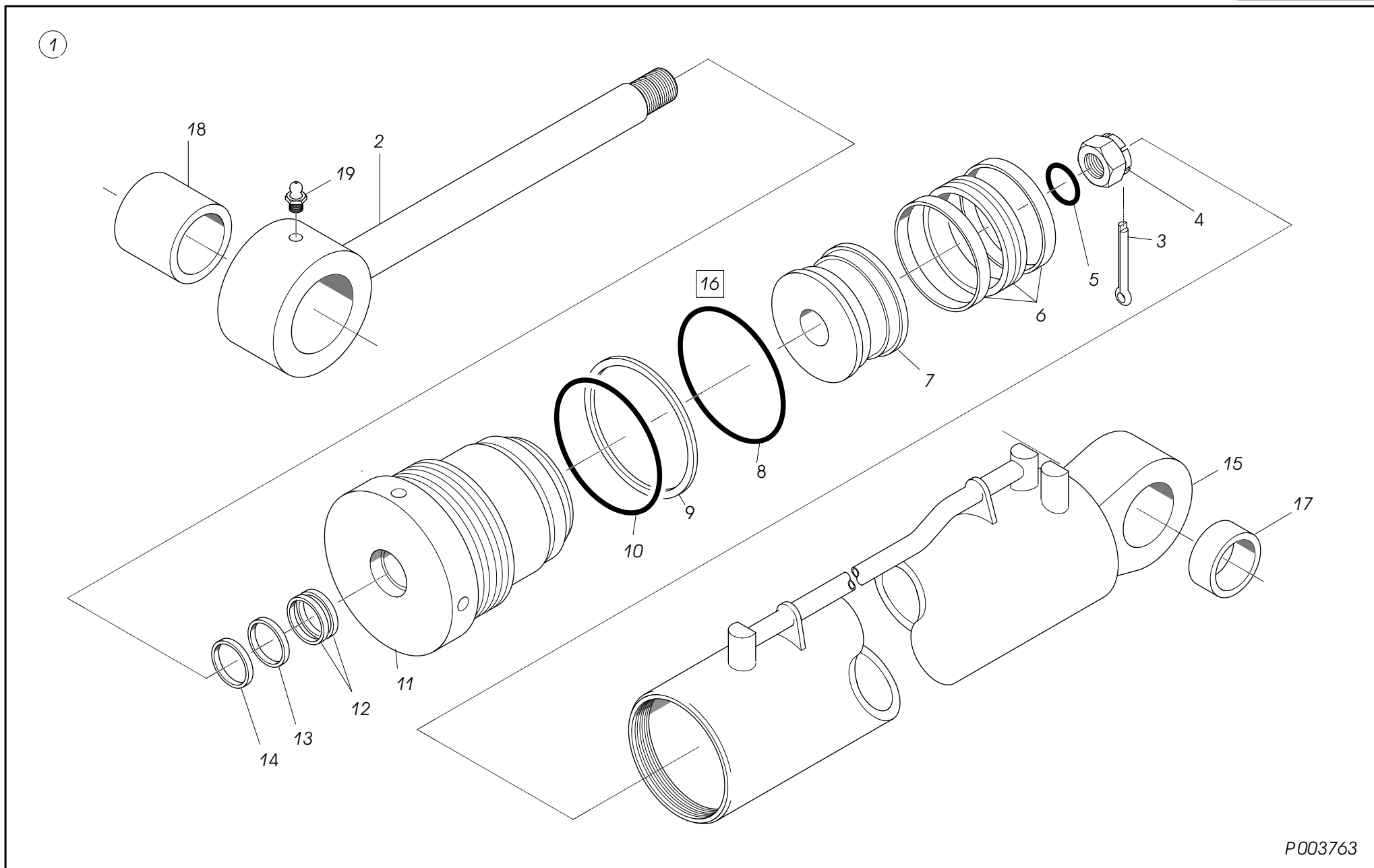
P001158

HYDRAULIC PUMP



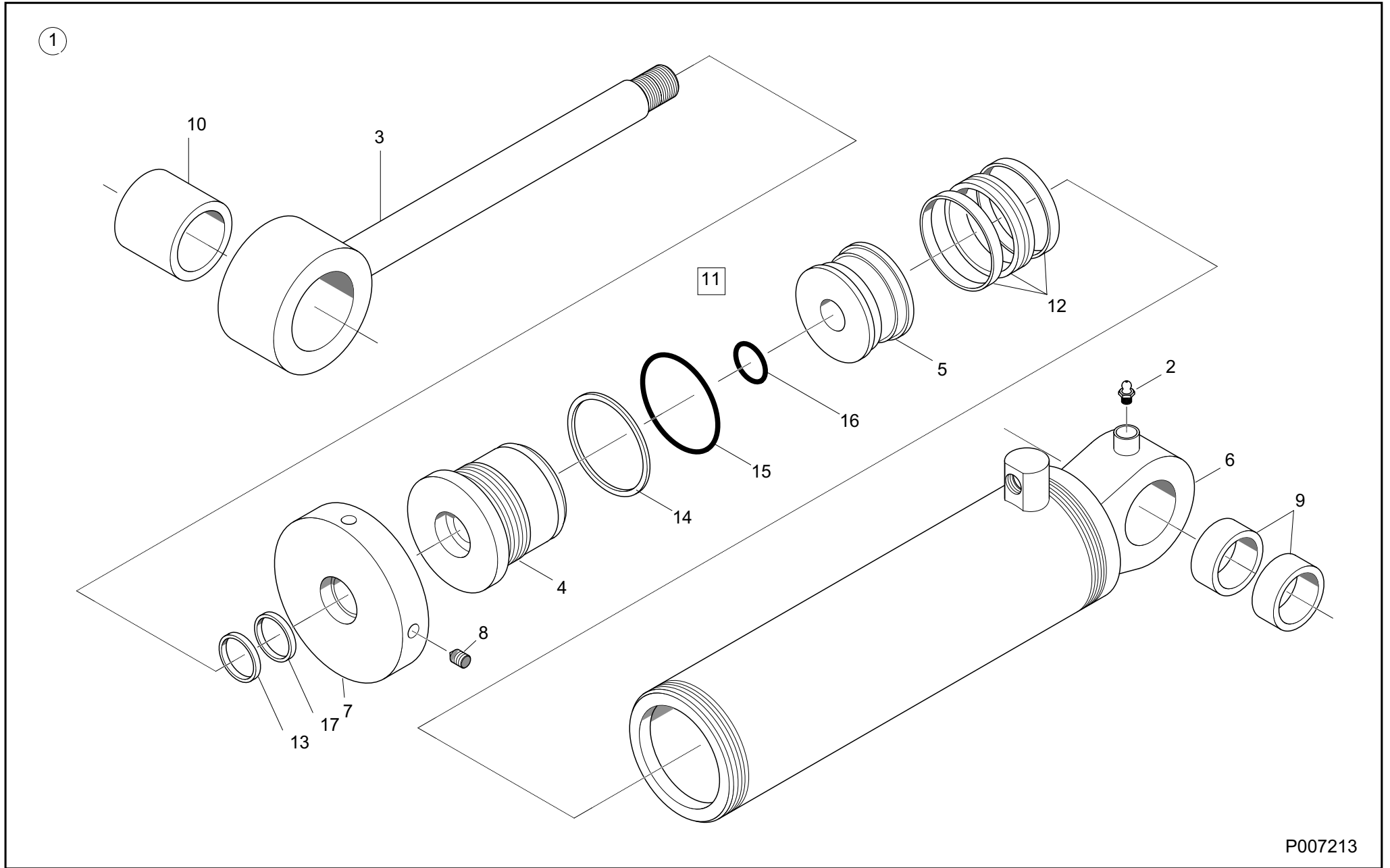
P002414

CYLINDER ASSEMBLY (LIFT)



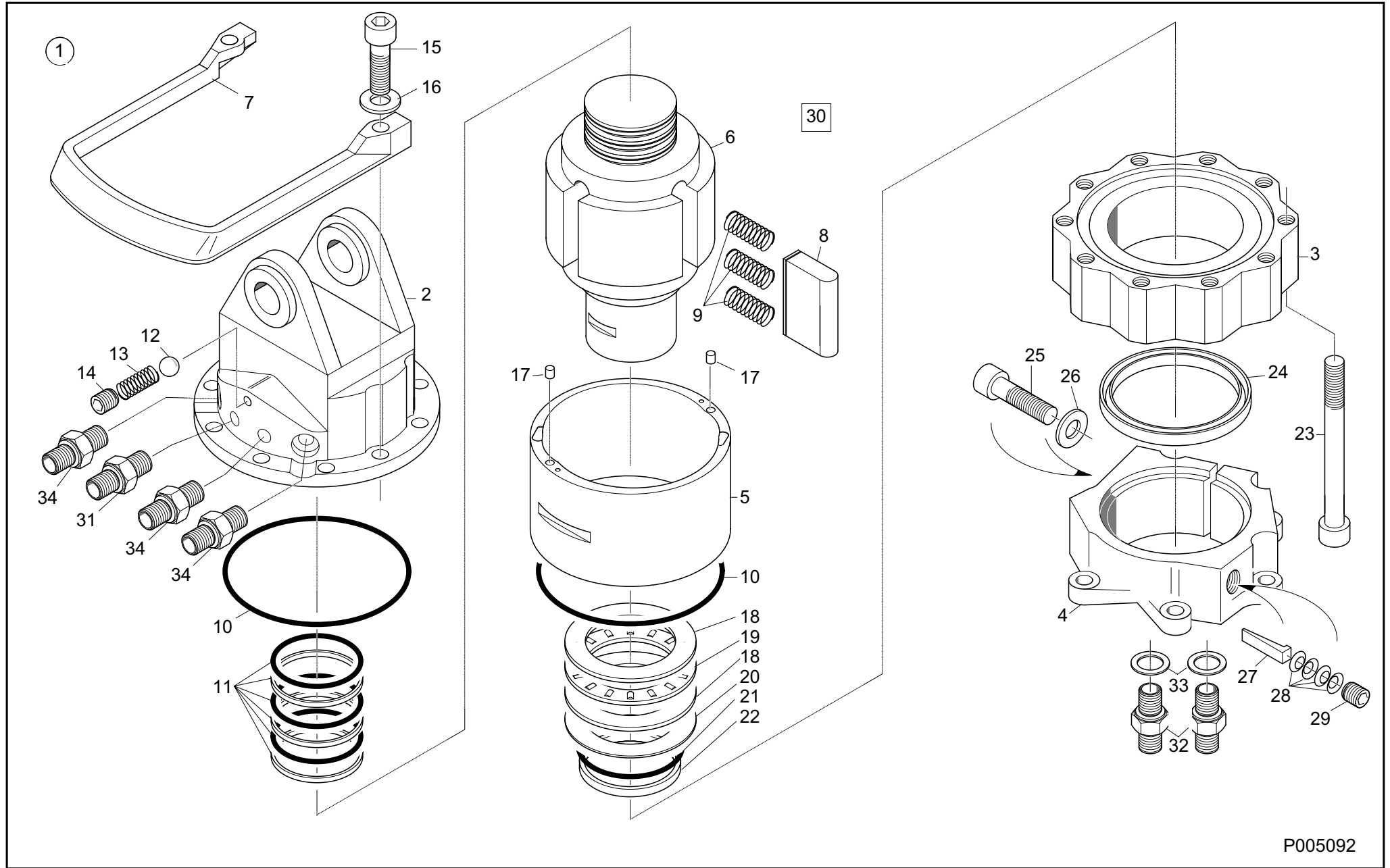
P003763

CYLINDER ASSEMBLY (LOG GRAB)



P007213

ROTATOR ASSEMBLY

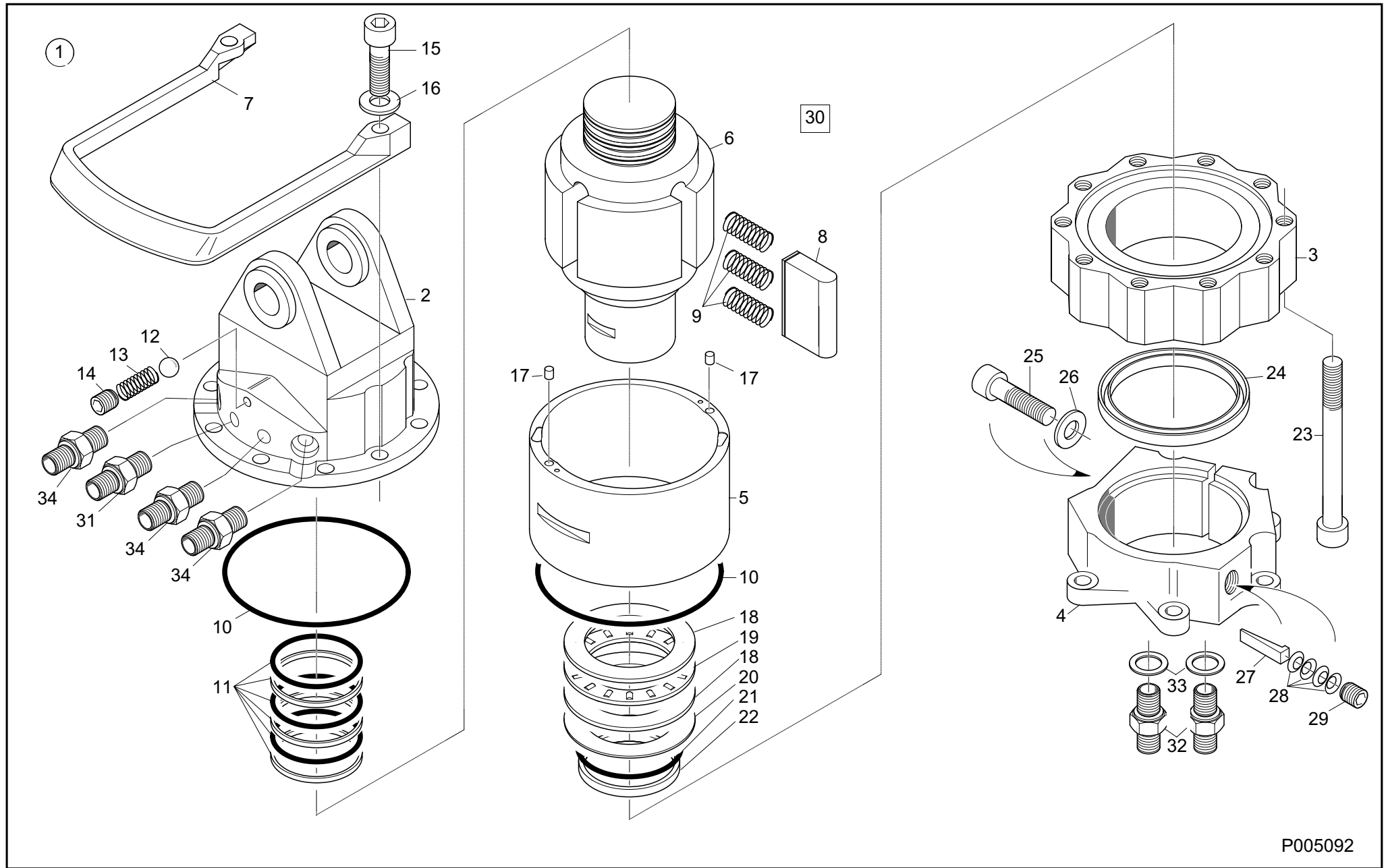


P005092

ROTATOR ASSEMBLY

ITEM	PART NUMBER	QTY	DESCRIPTION	REMARKS
1	290360	1	ROTATOR ASSEMBLY	GV12
2	222200	1	STATOR PLATE, Upper	
3	220600	1	STATOR PLATE, Lower	
4	222211	1	LINK, Lower	
5	220700	1	STATOR FRAME	
6	220718	1	SHAFT, Rotator	
7	222203	1	GUARD, Hose	
8	220719	1	VANE	
9	222252	4	SPRING	
10	*	12	O RING	
11	*	2	RING, Glide	
12	220266	3	BALL, Steel	
13	222202	2	SPRING	
14	222201	1	PLUG	
15	100206	1	SCREW, Cap	
16	222148	2	WASHER, Lock	
17	220720	2	PIN	
18	222206	2	WASHER	
19	222207	1	BEARING, Axial Needle	
20	222223	A/R	SHIM, 0.1mm	
20	222224	A/R	SHIM, 0.125mm	
20	222225	A/R	SHIM, 0.15mm	
20	222226	A/R	SHIM, 0.178mm	
21	*	1	SEAL	
22	*	1	RING, Support	
23	222208	10	SCREW, Cap	
24	220721	1	V RING	
25	100974	2	SCREW, Cap	
26	100532	2	WASHER, Hardened	
27	222237	1	WEDGE	
28	222236	4	SPRING, Cup	
29	222235	1	SCREW, Locking	
30	222212	1	KIT, Seal	Includes items marked *
31	220548	1	NIPPLE	
32	160969	2	ADAPTOR	Includes item 33

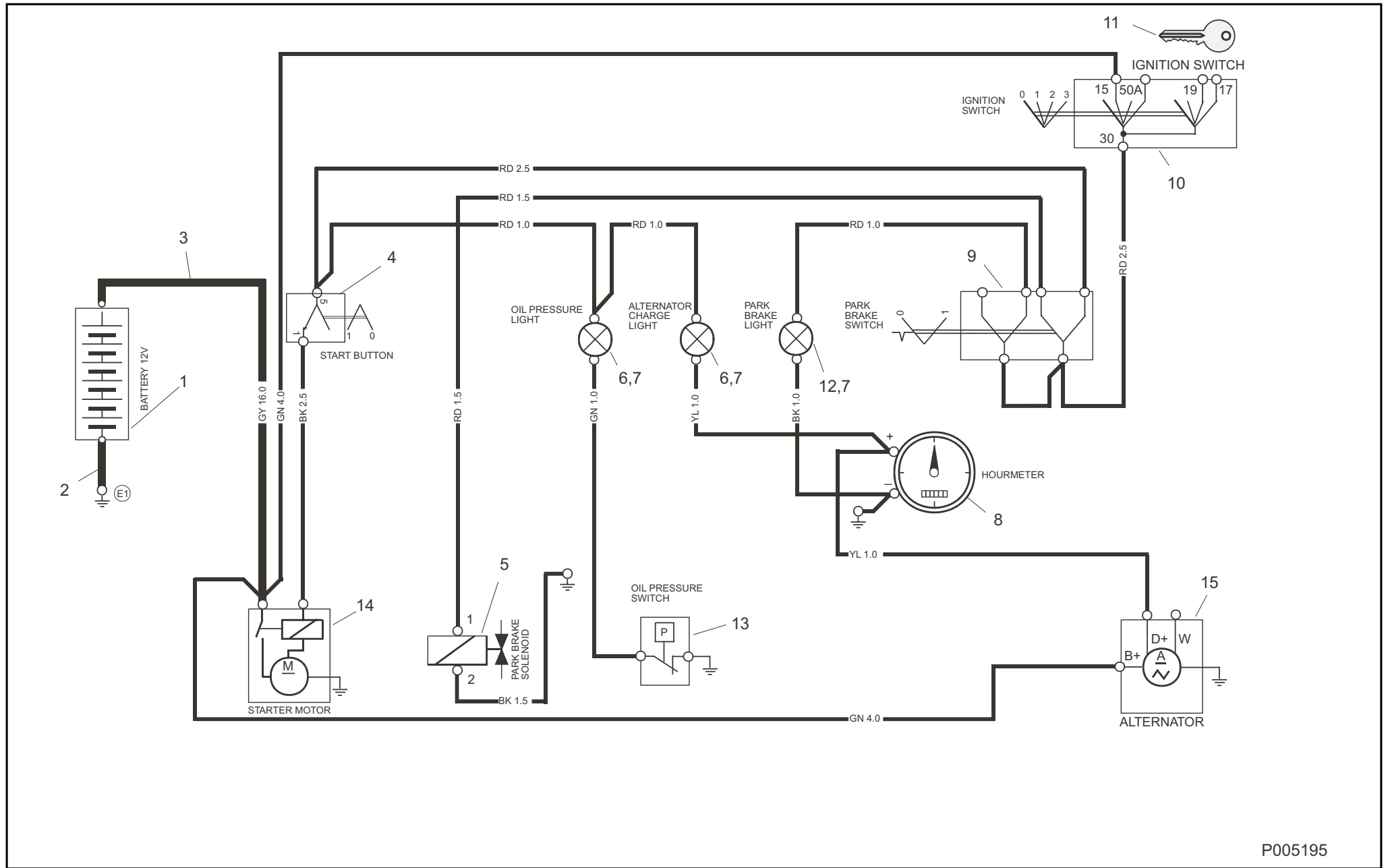
ROTATOR ASSEMBLY



P005092

SECTION 5. ELECTRICAL SYSTEM

ELECTRICAL SYSTEM



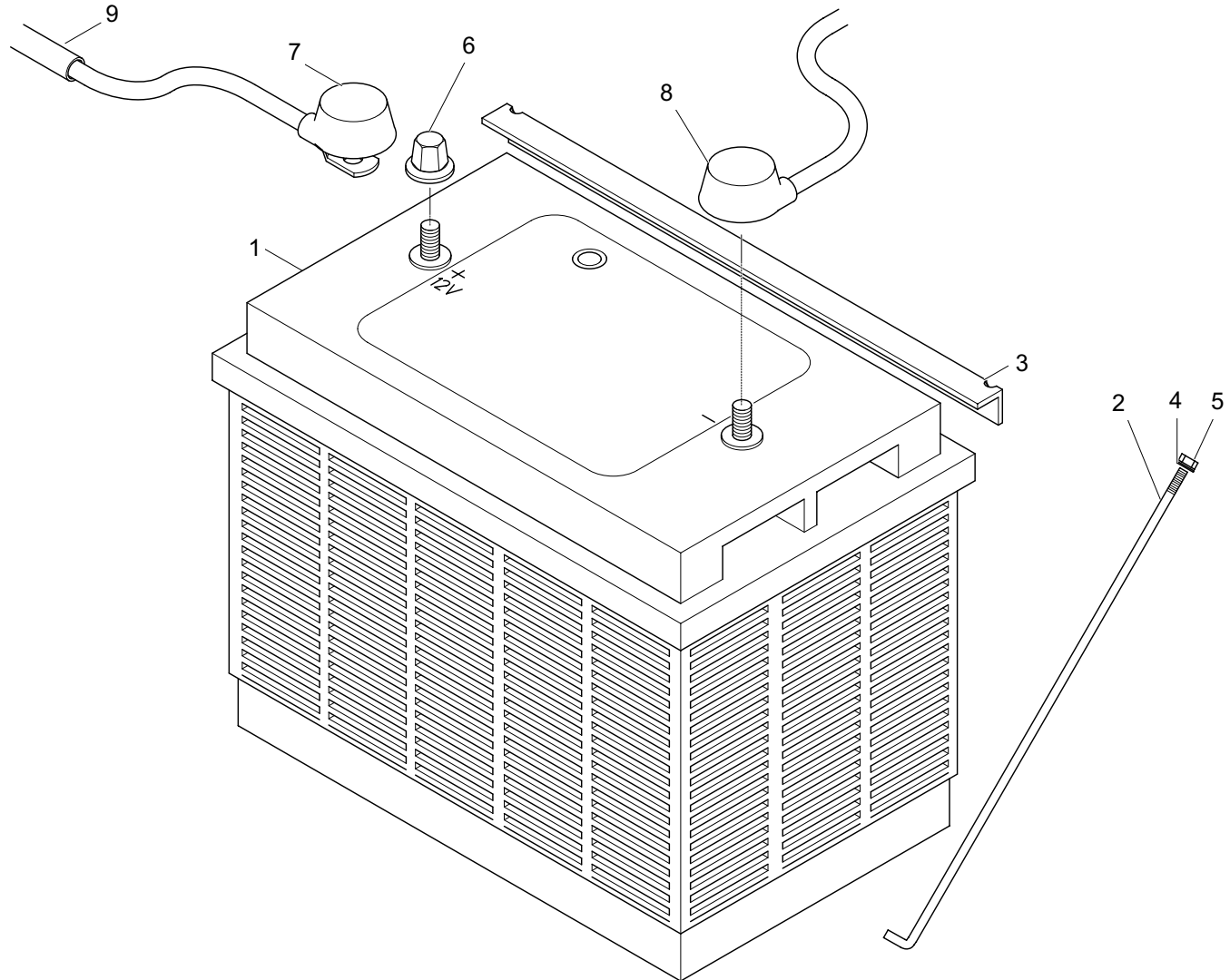
P005195

INSTRUMENT PANEL ASSEMBLY



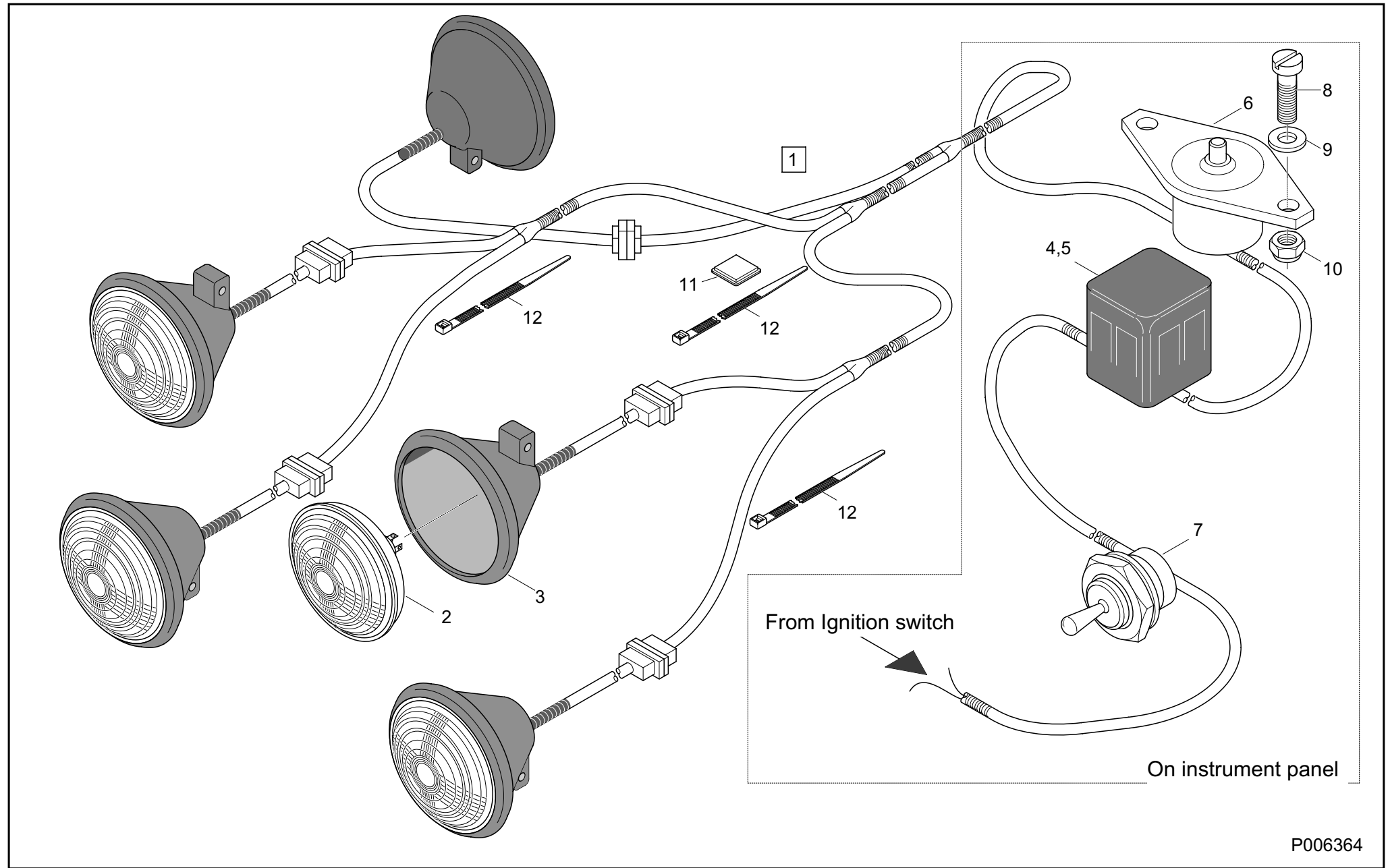
P005220

BATTERY AND CLAMPS



P005221

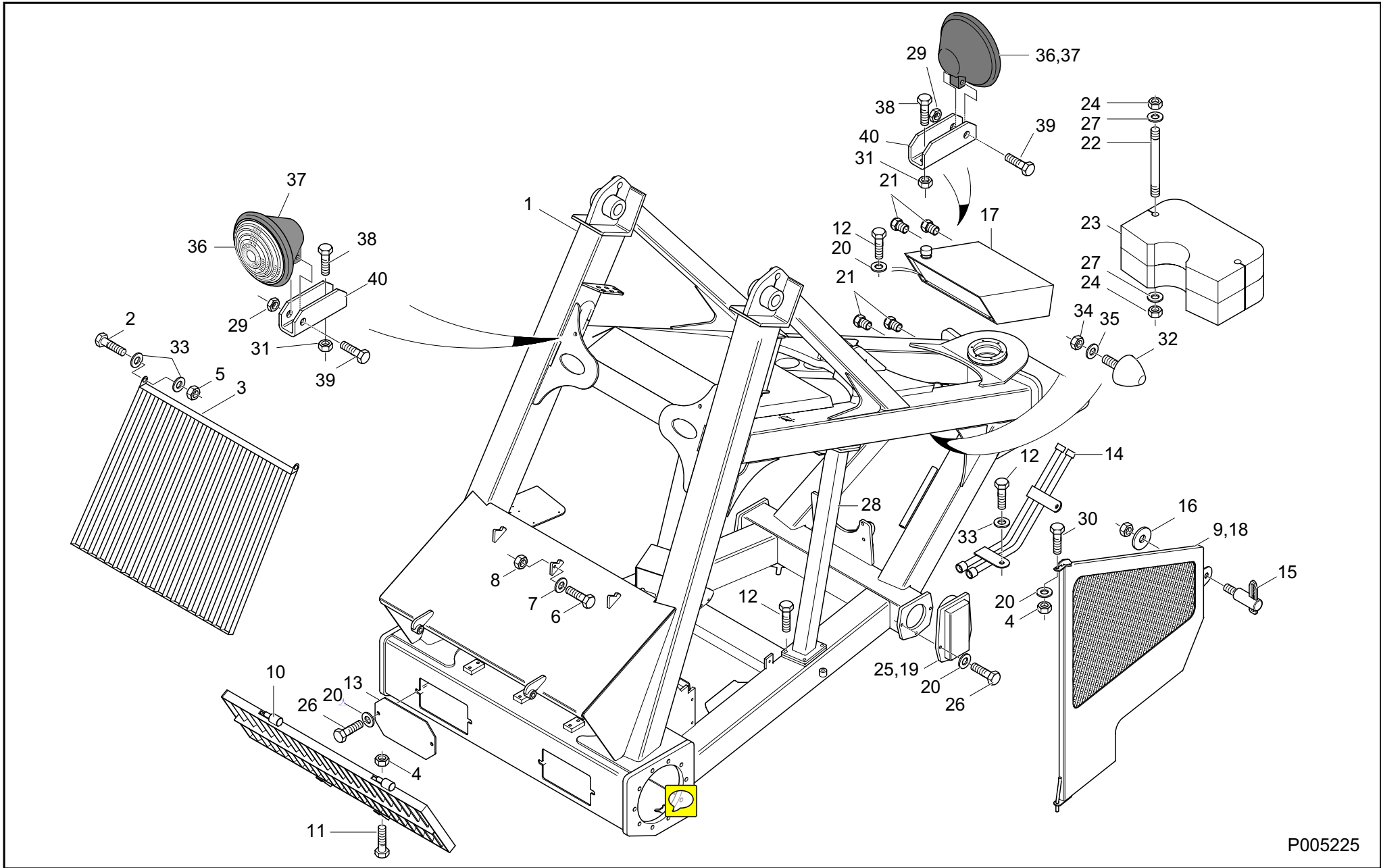
LIGHTING KIT



P006364

SECTION 6. FRAME AND BODY

FRAME AND BODY

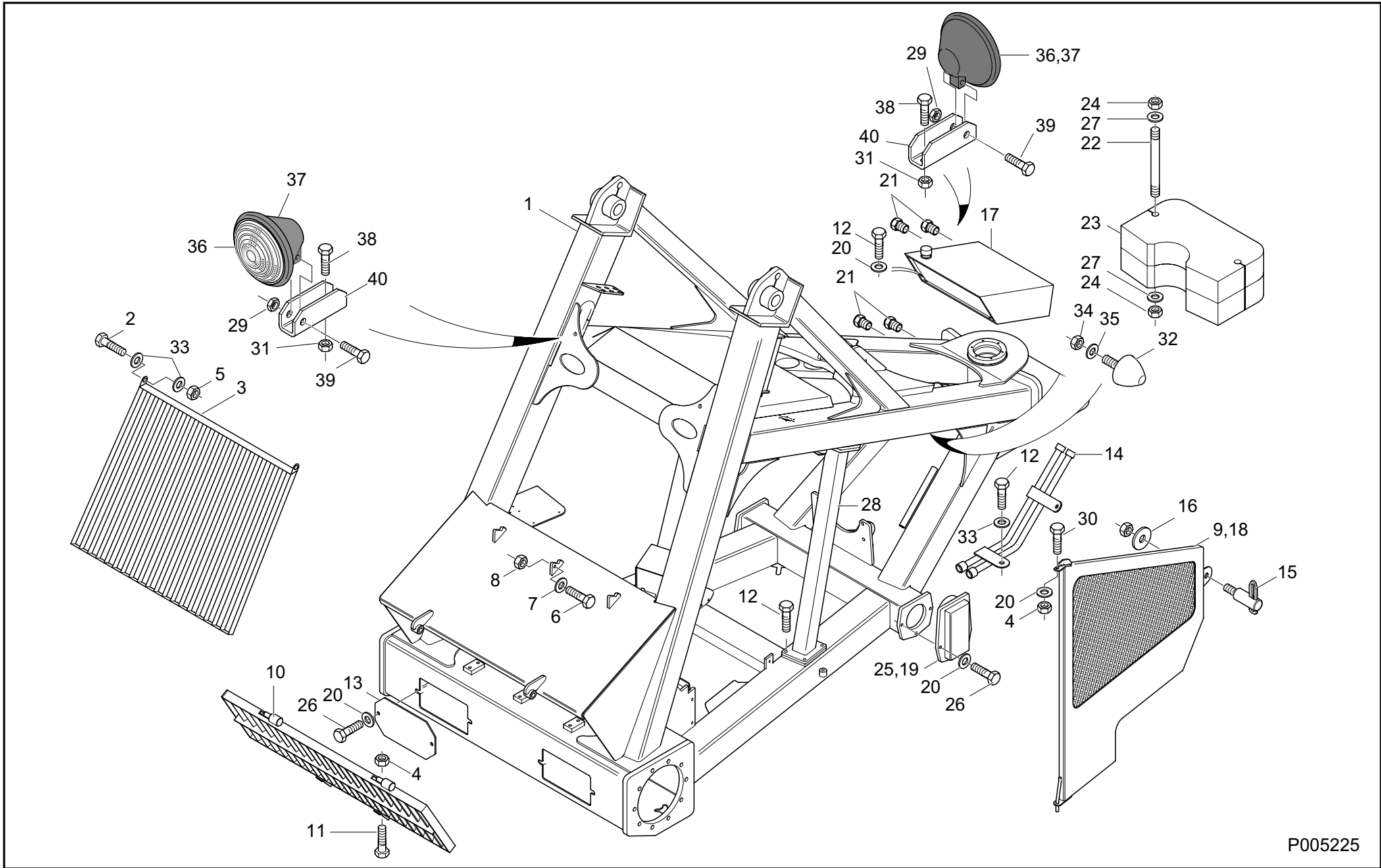


P005225

FRAME AND BODY

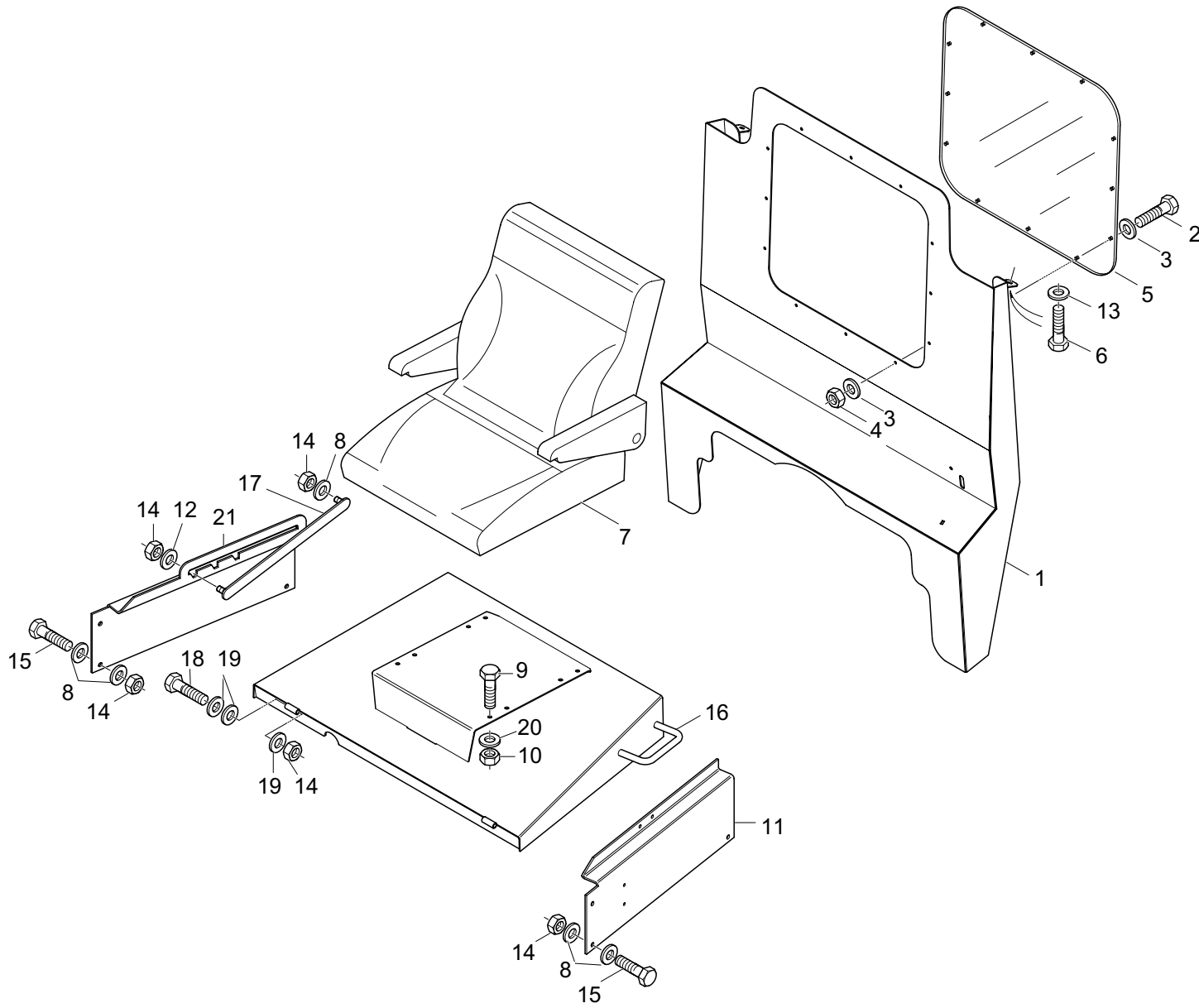
ITEM	PART NUMBER	QTY	DESCRIPTION	REMARKS
1	180934	1	FRAME	
2	100160	2	BOLT, Hex. Head	
3	181131	1	GUARD, Top	
4	100316	4	NUT, Cleavelock	
5	100323	2	NUT, Nyloc	
6	100090	1	SCREW, Hex. Head	
7	100147	1	WASHER, Flat	
8	100314	1	NUT, Nyloc	
9	181371	1	COVER, RHS, Hinged	
10	180547	1	GUARD, Lower	
11	100703	2	BOLT, Hex. Head	
12	100111	22	SCREW, Hex. Head	
13	174708	2	PLATE, Cover	
14	180428	1	PIPE ASSY	
15	201409	2	FASTENER, Anti Loose	Includes nut
16	172046	2	WASHER	
17	180282	1	TANK, Fuel	
18	180283	1	COVER, LHS	
19	180581	1	BODY, Filter	Single port
20	100148	18	WASHER, Flat	
21	210187	4	SIGHT GLASS	
22	100188	2	STUD	
23	170335	2	COUNTER WEIGHTS	
24	100180	4	NUT, Nyloc	
25	180279	1	BODY, Filter	Double port
26	100210	10	SCREW, Hex. Head	
27	172044	4	WASHER	
28	170990	2	SUPPORT, Post Frame	
29	100722	5	BOLT	
30	100116	2	BOLT, Hex. Head	
31	100293	5	NUT, Hexagon	
32	200305	4	RUBBER, Door Stopper	
33	100423	4	WASHER, Flat	
34	100312	4	NUT, Nyloc	
35	100062	4	WASHER, Flat	

FRAME AND BODY



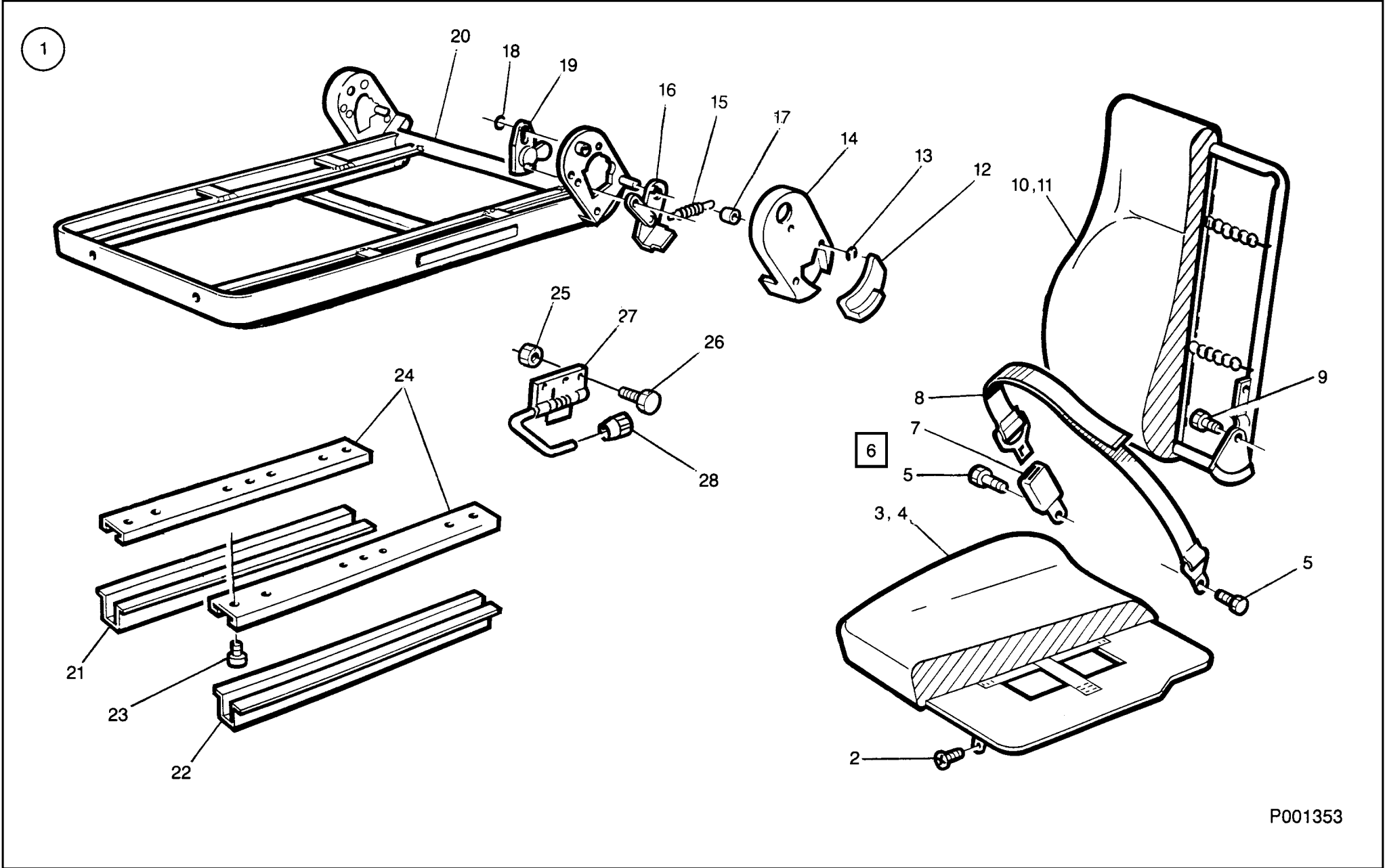
P005225

CAB ASSEMBLY



P005226

SEAT ASSEMBLY



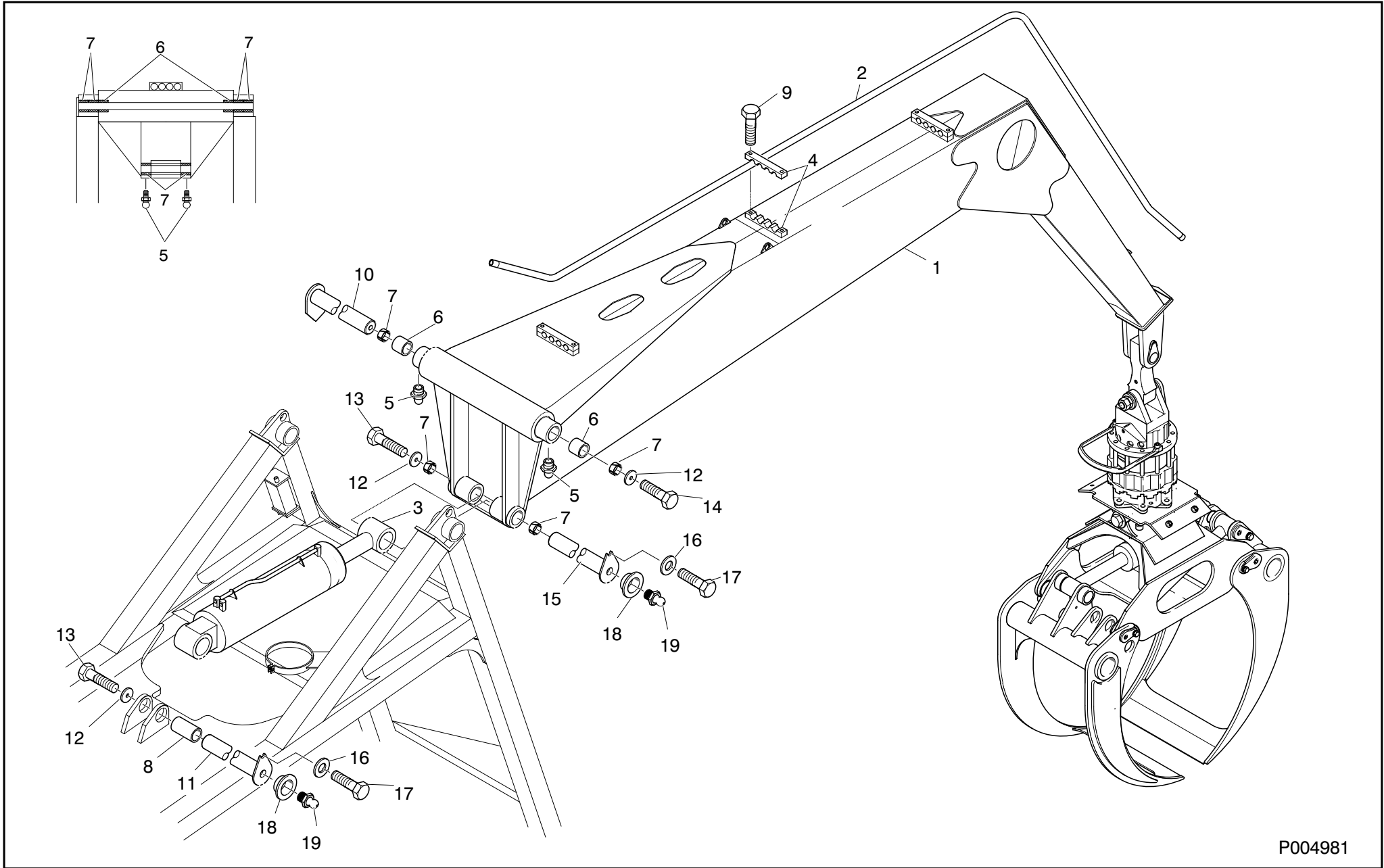
P001353



SEAT ASSEMBLY

ITEM	PART NUMBER	QTY	DESCRIPTION	REMARKS
1	290013	1	SEAT ASSEMBLY	
2	NSI	2	SCREW	
3	202447	1	CUSHION, Seat	
4	202449	1	COVER, Seat	
5	NSI	2	BOLT	
6	224765	1	SEAT BELT ASSY	
7	NSI	1	CLASP, Belt, Seat	
8	NSI	1	BELT, Seat	
9	NSI	1	BOLT	
10	202446	1	CUSHION, Backrest	
11	202448	1	COVER, Backrest	
12	202503	1	HANDLE, Adjust, Backrest	
13	202504	1	CIRCLIP	
14	202505	1	CAP, Locking	
15	202506	1	SPRING, Tension	
16	202507	1	HANDLE	
17	NSI	1	SPACER	
18	NSI	1	CLIP, Retaining	
19	202443	1	LOCK, Inside	
20	NSI	1	BASE	
21	202445	1	SLIDE, Free	
22	202920	1	SLIDE, Locking	
23	NSI	4	BOLT	
24	202444	2	SLIDE, Master	
25	100309	2	NUT, Nyloc	
26	100383	1	SCREW, Hex. Head	
27	202921	1	HANDLE, Rail	
28	202922	1	KNOB, Handle	

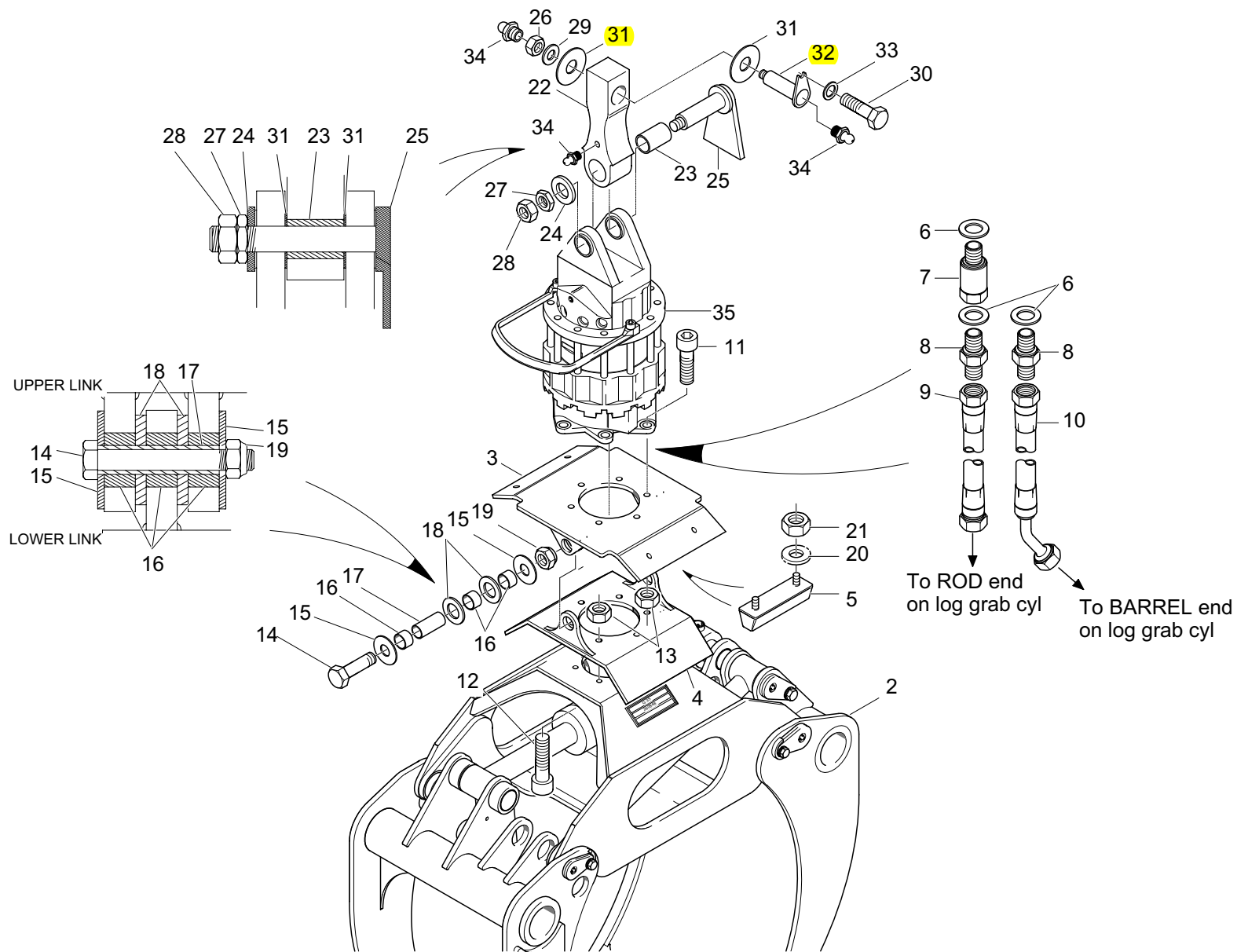
BOOM ASSEMBLY



P004981

GRAPPLE, LINK AND ROTATOR

①



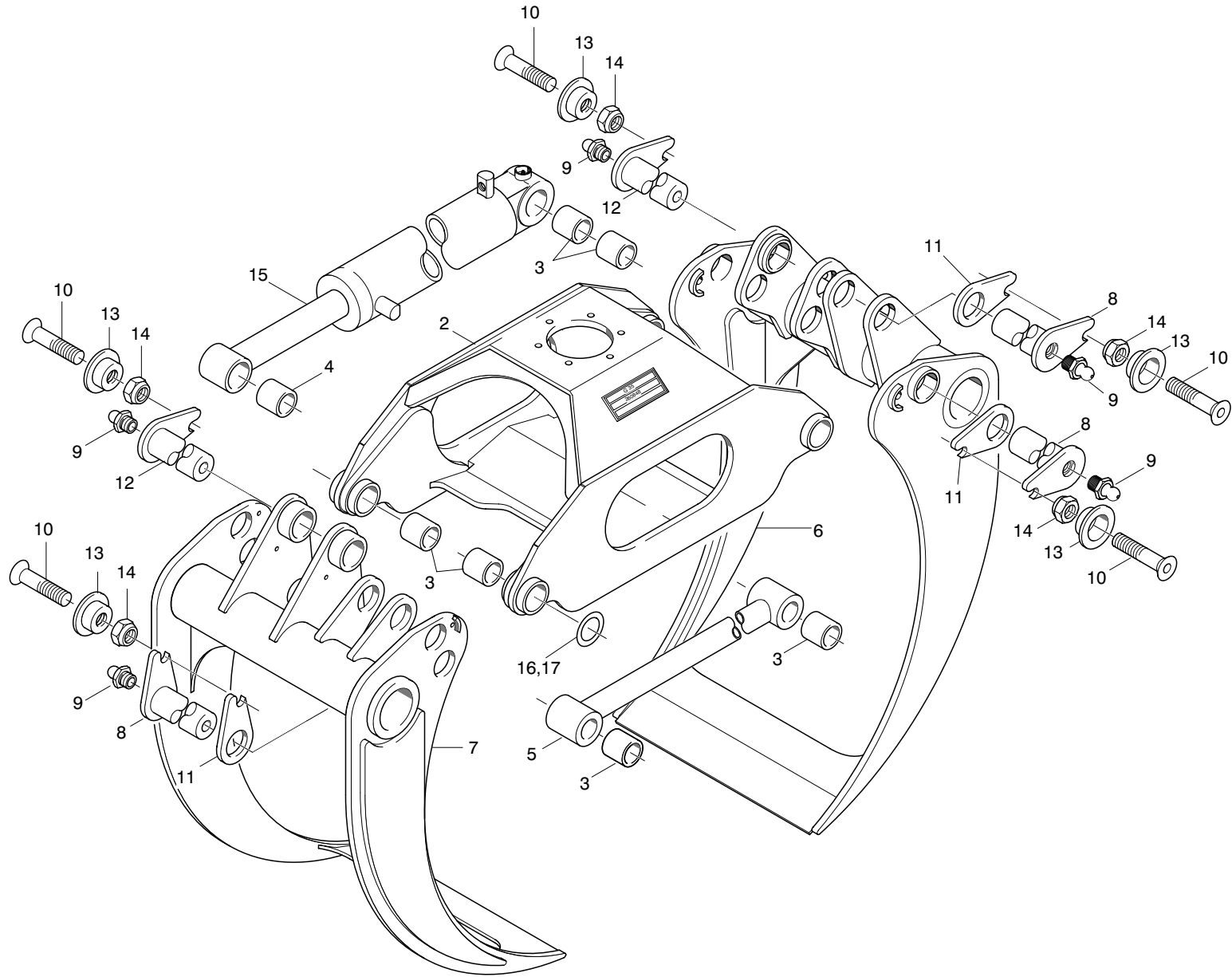
P004935

GRAPPLE, LINK AND ROTATOR

ITEM	PART NUMBER	QTY	DESCRIPTION	REMARKS
1	290362	1	GRAPPLE ASSY	
2	260848	1	GRAPPLE #35	
3	182769	1	LINK, Upper	
4	182770	1	LINK, Lower	
5	201224	7	BUFFER, Rubber	
6	140520	3	WASHER, Dowdy	
7	203989	1	NIPPLE, Radi	
8	160969	2	ADAPTOR	
9	240949	1	HOSE	
10	240948	1	HOSE	
11	100992	6	SCREW, Cap	
12	100230	6	SCREW, Cap	
13	100654	12	NUT, Stover	
14	100698	2	BOLT, Hex. Head	
15	172940	4	RETAINER	
16	202697	4	BUSH	
17	182771	2	PIN	
18	203634	A/R	RING, Thrust, Bronze	
19	100323	2	NUT, Nyloc	
20	100148	4	WASHER, Flat	
21	100316	4	NUT, Nyloc	
22	162067	1	LINK, Boom	
23	204775	1	BUSH	Welded into link
24	222491	1	WASHER	
25	222213	1	PIN	
26	100301	1	NUT, Nyloc	
27	100969	1	NUT, Lock	
28	221275	1	NUT, Lock	
29	100427	1	WASHER, Flat	
30	100089	1	SCREW, Hex. Head	
31	160809	A/R	SPACER	
32	162358	1	PIN	
33	100147	1	WASHER, Flat	
34	200036	3	GREASE NIPPLE	
35	290360	1	ROTATOR	

GRAPPLE ASSEMBLY (SERIES 35)

①

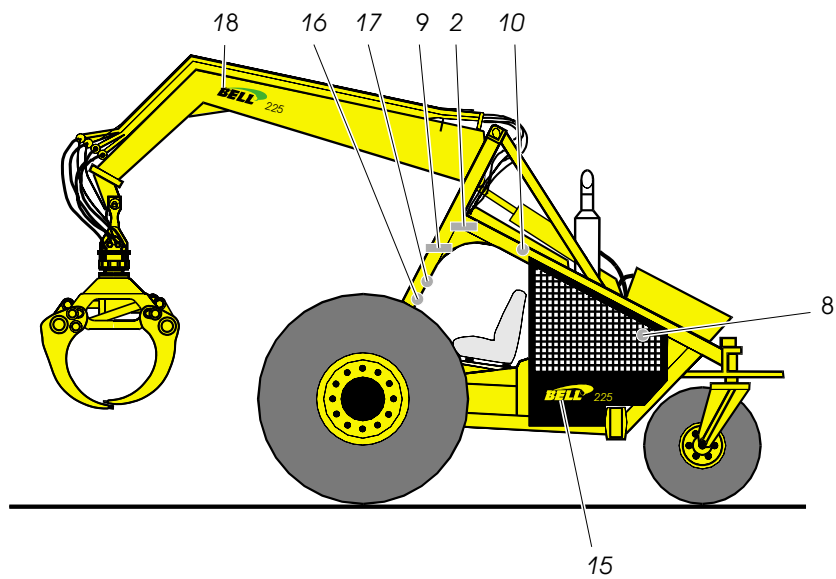
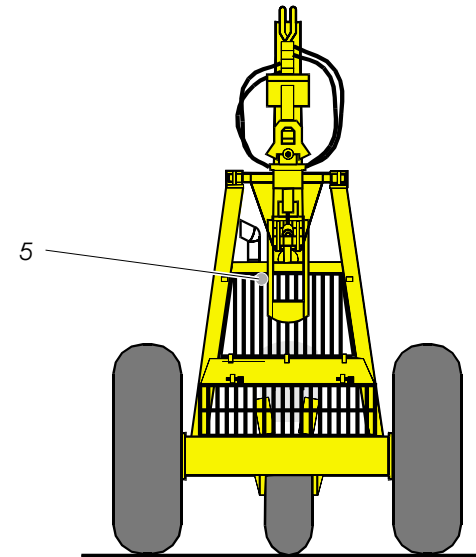
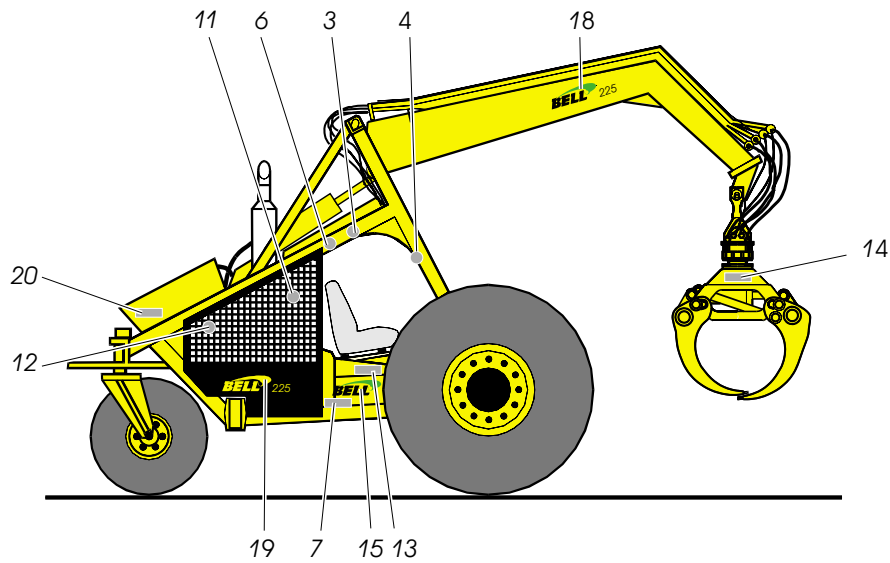


P001417

DECAL LAYOUT

①

- Exterior Decals
- Interior Decals



P004624

DECALS

①

13

SERVICE 10 SMR
FUEL FILTER
DRAIN WATER
CHANGE FUEL FILTERS AS A
THOUSAND (1 000) SMR

⚠ WARNING
CHECK ALL WHEEL NUTS AFTER
THE FIRST 5 SMR AND THEN AFTER
EVERY 50 SMR OF OPERATION

⚠ WARNING
EAR PROTECTION MUST BE
WORN WHILE OPERATING
THE MACHINE

⚠ WARNING
ENSURE ALL PERSONEL ARE CLEAR OF THE MACHINE AND
PLACE FEET FIRMLY ON CONTROL PEDALS BEFORE STARTING
THE MACHINE
DO NOT EXIT THE CAB BEFORE SHUTTING DOWN THE ENGINE
AND APPLY THE PARK BRAKE
ALWAYS PARK THE MACHINE ON LEVEL GROUND
FAILURE TO FOLLOW THIS PROCEDURE MAY RESULT IN INJURY
OR DEATH TO OPERATOR OR BYSTANDERS CAUSED BY SUDDEN
MOVEMENT OF THE MACHINE

DIESEL FUEL

2

⚠ CAUTION
DO NOT TOW MACHINE AS DAMAGE TO
WHEEL MOTORS MAY RESULT
REFER TO THE OPERATOR AND
MAINTENANCE MANUAL FOR CORRECT
TOWING PROCEDURES

⚠ WARNING
FAST TAIL SWING
DO NOT STAND OR WORK IN
THE DANGER ZONE WHILE THE
ENGINE IS RUNNING
PERSONAL
INJURY OR DEATH MAY RESULT

⚠ WARNING
FAN BELTS
KEEP BODY AND LOOSE CLOTHING AWAY
CHECK CONDITION REGULARLY

16

BELL 225A SAFE OPERATING LOADS

⚠ WARNING
THIS HYDRAULIC SYSTEM IS FILLED
WITH AUTOMATIC TRANSMISSION
FLUID DO NOT TOP UP WITH
HYDRAULIC OIL

IMPORTANT
SERVICE 10 SMR
REMOVE FAN DUCT COVER AND
INSPECT FOR DIRT BUILD UP. BLOW
CYLINDER FINS CLEAN. REPAIR OIL LEAKS
IMMEDIATELY. OIL AND DUST WILL
CLOG THE ENGINE COOLING SYSTEM

⚠ WARNING
DO NOT OPERATE THE
MACHINE WITHOUT
AN APPROVED
WINDSHIELD OR MESH
SCREEN IN PLACE
DO NOT OPERATE OR WORK ON THIS MACHINE
UNLESS YOU HAVE READ AND UNDERSTAND THE
INSTRUCTIONS AND WARNINGS IN THE OPERATOR
AND MAINTENANCE MANUAL.
FAILURE TO FOLLOW THE INSTRUCTIONS OR HEED
THE WARNINGS MAY RESULT IN INJURY OR DEATH.
CONTACT ANY BELL REPRESENTATIVE FOR
REPLACEMENT MANUALS. PROPER CARE IS YOUR
RESPONSIBILITY

⚠ WARNING
BATTERY ACID CAUSES SEVERE BURNS
SHOULD ACID CONTACT SKIN OR CLOTHING,
FLUSH WELL WITH WATER
WEAR GOGGLES. SHOULD ACID CONTACT EYES,
FLUSH WITH WATER AND SEEK MEDICAL ATTENTION
BATTERIES MAKE EXPLOSIVE GAS
KEEP ARCS, NAKED FLAMES AND SPARKS AWAY

⚠ CAUTION
GRAPPLE AND LINKS MUST BE
GREASED EVERY 5 SMR OF
OPERATION

P 004625

