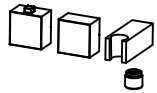




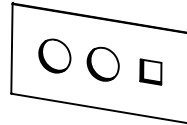
BAI 0112, 0113, 0132, 0133 Concealed Shower Mixer Installation Instruction

NOTE: Installation should be performed by professional plumber!

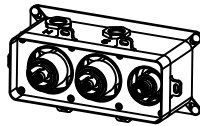
1. Box content:



Handles

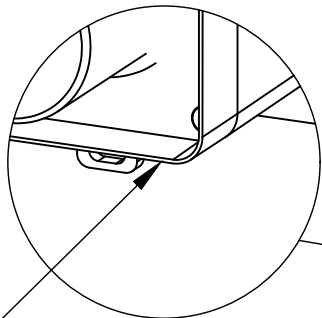


Trim plate

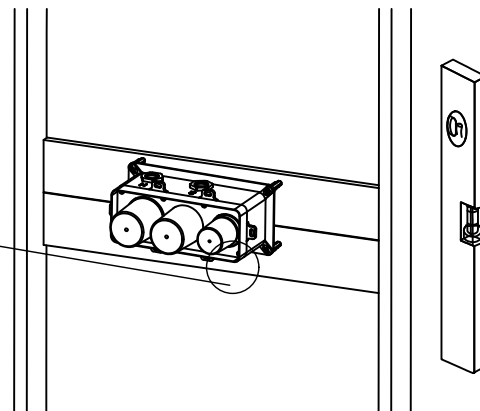


Concealed
mixer body

2. Install mixer body in to existing wall frame.
Make sure to put it in perfect level horizontally
and vertically (very important).

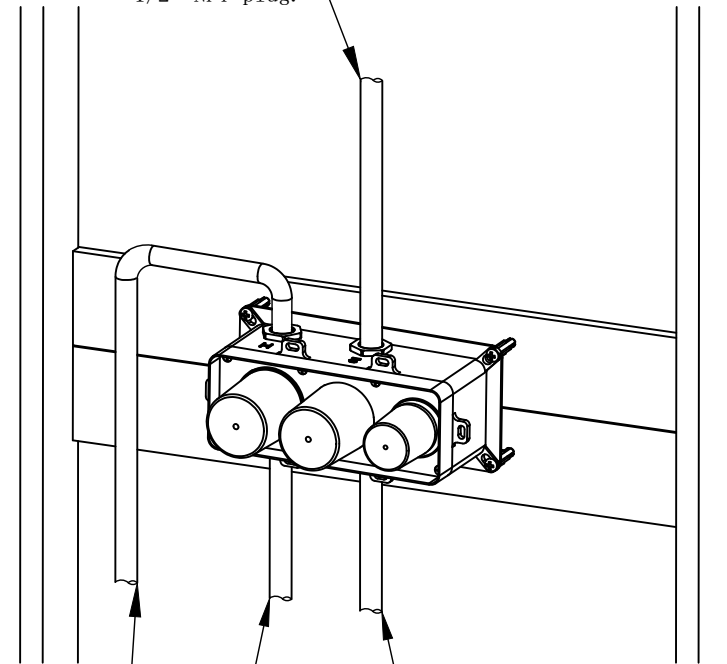


This edge should be approximately
at the same level as your future
finished (tiled) wall



3. Use 1/2" NPT fittings and thread seal tape for all pipe
work according to the diagram below. No soldering close
to the mixer body!

To the rain shower head.
If not used, cap it with
1/2" NPT plug.

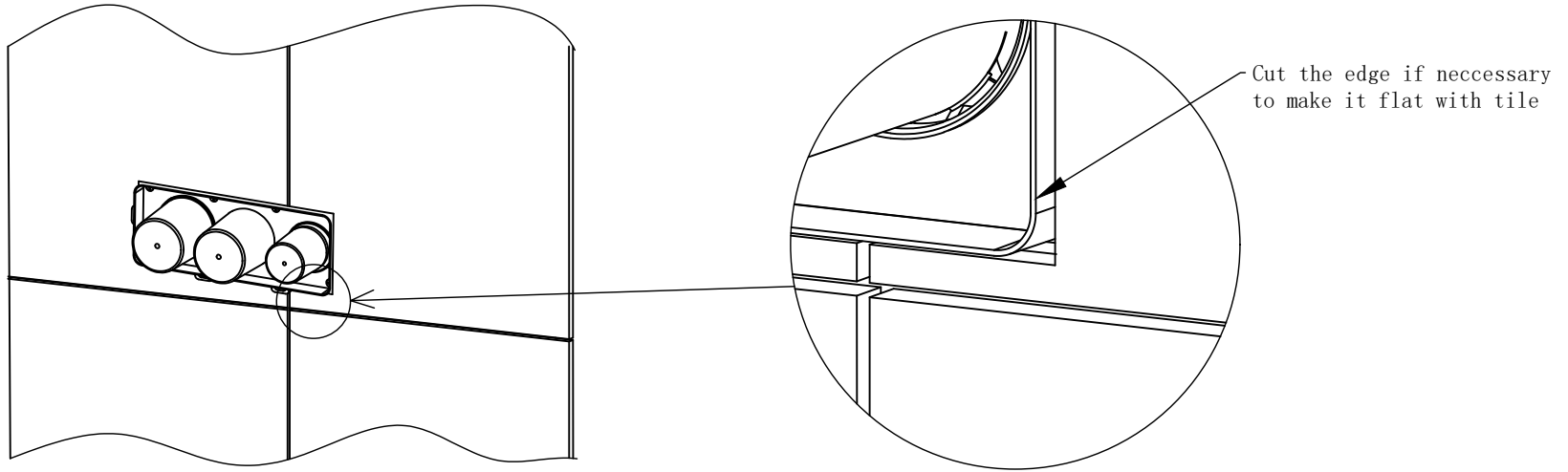


Hot water supply

Cold water supply

To the body jet or tub spout.
If not used, cap it with
1/2" NPT plug.

4. Make sure to test for leakage before tile up. Water pressure shouldn't be more than 120 psi.
5. Finish drywall/durock/tile work. Do not remove protective caps till the work is done.



6. Remove the protected caps and slide-in holder toward mixer, secure holder with small allen key.

7. Install trim plate and handles. Install hose connector with bigger allen key. Hand tighten the hand shower with hose.

