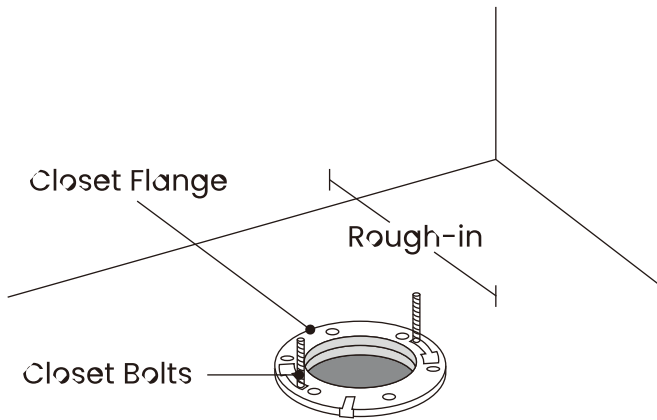


## 1. Turn Off Water Supply

- Close toilet supply valve and flush tank completely, use towel to remove excess water.
- Disconnect and remove supply line, if you are replacing the valve shut main water supply first.
- Remove closet bolts from flange and clean wax and putty from base area.

## 3. Install Closet Bolts

- Install closet bolts to flange channel, turn 90° and slide into place 6" (152mm) apart and parallel to wall.

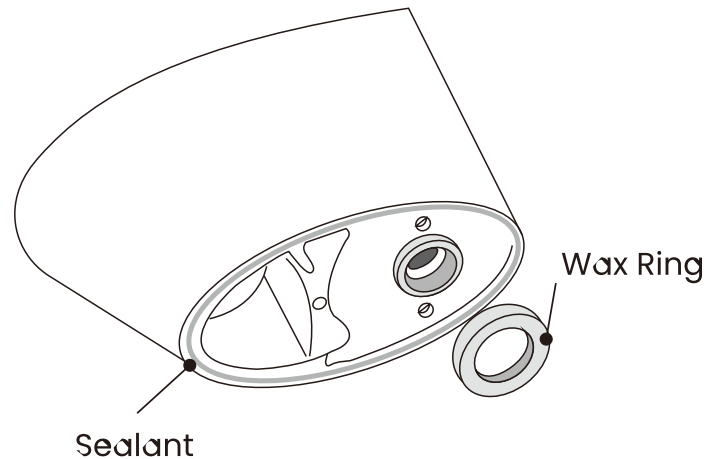


## 2. Rough-In the Toilet

- Measure the wall from behind the toilet to the middle of the closet bolt. Your rough-in measurement should be 12".

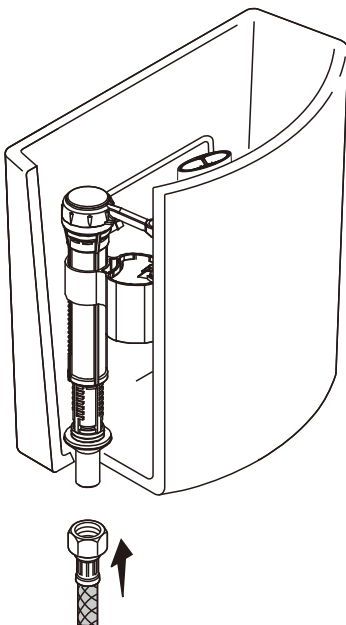
## 4. Install Wax Seal

- Invert toilet on floor (use cushion to prevent damage), and install wax ring evenly around waste flange with tapered end of ring facing toilet. Apply a thin bead of sealant around toilet base.



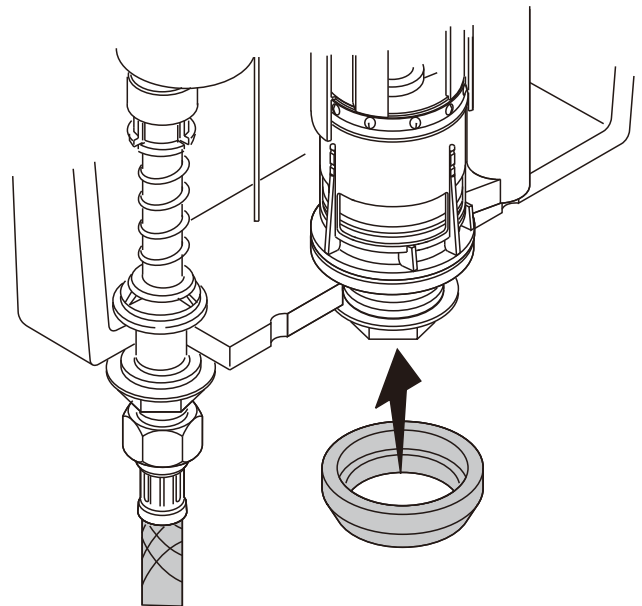
## 5. Connect Supply Hose

- Thread the supply hose onto the tank.



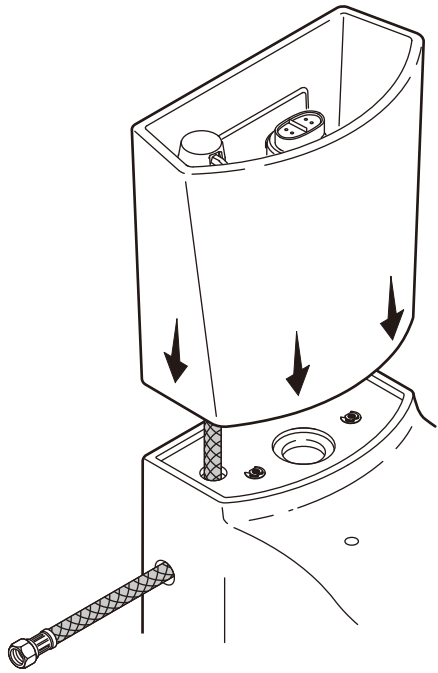
## 6. Attach Gasket

- Position the gasket on the bowl inlet.



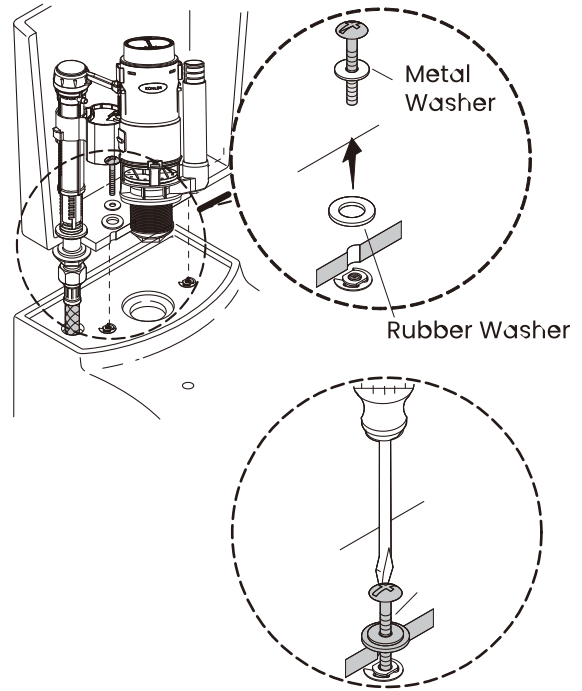
## 7. Position Tank onto Bowl

- Holes should line up so threaded rod can fit smoothly connecting the cistern body to the bowl.



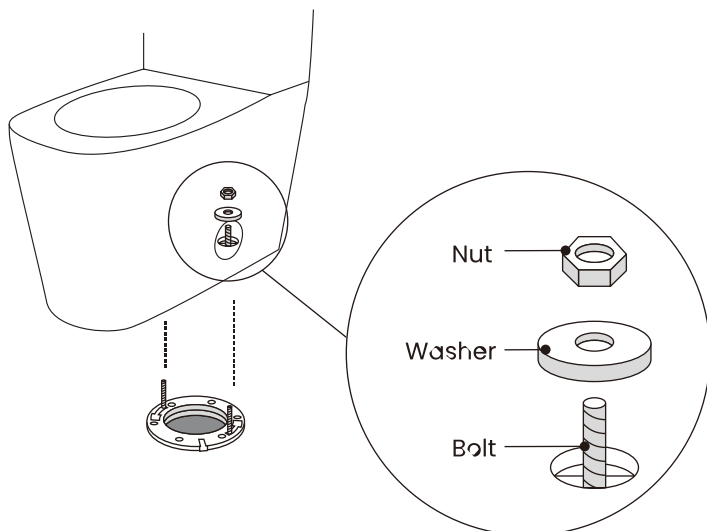
## 8. Secure Tank to Bowl

- Slide metal washer and rubber washer onto the bolt.
- Thread bolts into the bottom of the tank then tighten the bolts using a screwdriver.
- Do not overtighten, this may crack the ceramic.



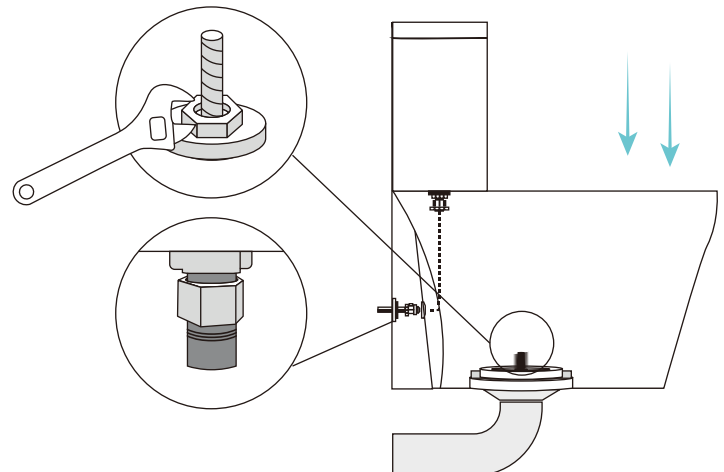
## 9. Position Toilet on Flange

- Unplug floor waste opening and install toilet on closet flange so bolts project through the mounting holes.
- Loosely install retainer washers and nuts.



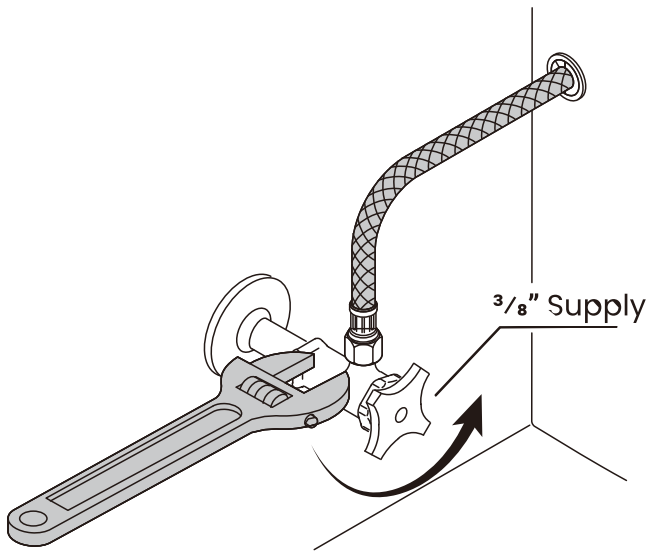
## 10. Install Toilet

- Position toilet square to wall and, with a rocking motion, press bowl down fully on wax ring and flange. Alternately tighten nuts until toilet is firmly sealed to floor. Do not over-tighten nuts, it might crack ceramic.
- Smooth off the bead of sealant around the base. Remove excess sealant.
- Place cover caps to hide installation holes on toilet.
- Connect water supply to shut off valve, and check for leaks. Tighten if necessary.



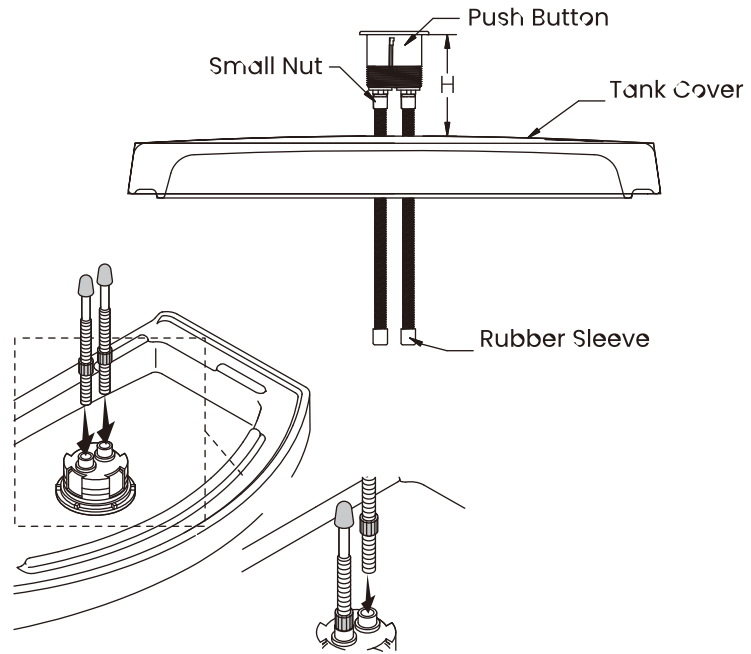
## 11. Connect Plumbing

- Connect water supply.



## 12. Connect Push Button

- Unscrew the big white nut on the push button and insert the button into the hole on the tank.
- When the rods meet the push buttons, measure the height (H) with a ruler.
- Unscrew the rods and cut the part H on both rods.
- Insert the rods back and tighten the small nut.
- Tighten the big nut from the inside of the tank.



## 13. Check for Leaks

- Flush several times and check for leaks.

