



TOWEL WARMER

Installation Instructions

Before using this product. Please read the following instructions carefully and keep this guide for future reference.

About the product:

This heated towel rack is designed for drying towels or clothes. It could be used as hardwired version or with cable/plug. The towel warmer has a surface stabilized temperature of 40°C - 50°C (104°F - 122°F) and used in household bathrooms and kitchens. The towel warmer is used under the voltage of 110V-120V AC and is manufactured according to ETL standard.

Code Requirements:

1. Please note that this appliance must be installed as prescribed by the relevant wiring rules and regulations, including the regulations covering installation of appliances and accessories in 'wet areas' such as bathrooms, showers and laundries. Installations should be in accordance with National and Local Electrical Codes applicable in both the US and CANADA.
2. In plain words, make sure that all wiring connections are done safely and according to code. Check with a professional electrician if unsure. Some areas require rigid or flexible conduit. Most areas require all connections to be made in an approved electrical box. Again, follow the instructions and hire licensed help where required to comply with your local regulations.

Note:

- This appliance requires a connection to ground
- An accessible all pole disconnection switch is required in the fixed wiring
- The heated towel warmer should be mounted vertically with the cord exiting from the base; it should be positioned at least 600mm/2 feet above the floor.

Safety Precautions:

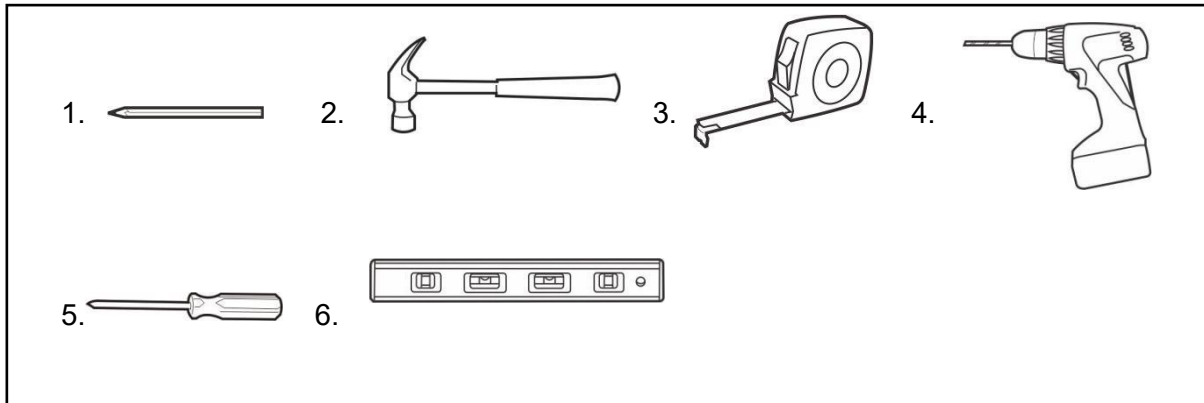
As with any electrical appliance, you should be aware of basic safety precautions when using this heated towel warmer. Please read these instructions, and file them for future reference.

1. Because this appliance gets hot, young children and impaired people or persons with disabilities should be supervised when nearby. Do not let children treat the towel rail as a toy.
2. Do not hang excessive loads from the towel warmer rails. While securely anchored to the wall when professionally installed, it is not intended to replace or serve as a grab bar.
3. The towel warmer should NOT be used for anything other than its intended use of warming up and drying bathroom towels.
4. Occasionally wipe down your towel warmer from time to time with a damp cloth and/or a stainless steel cleaner. Do not use any abrasives or corrosive cleaners.
5. Be aware that the towel rail will get slightly hotter than normal during warmer weather and when insulated by towels.
6. Do not put the towels, or anything else which has been in contact with hazardous liquids, on this towel rail.
7. Do not immerse the towel rail in any liquid.

Electrical:

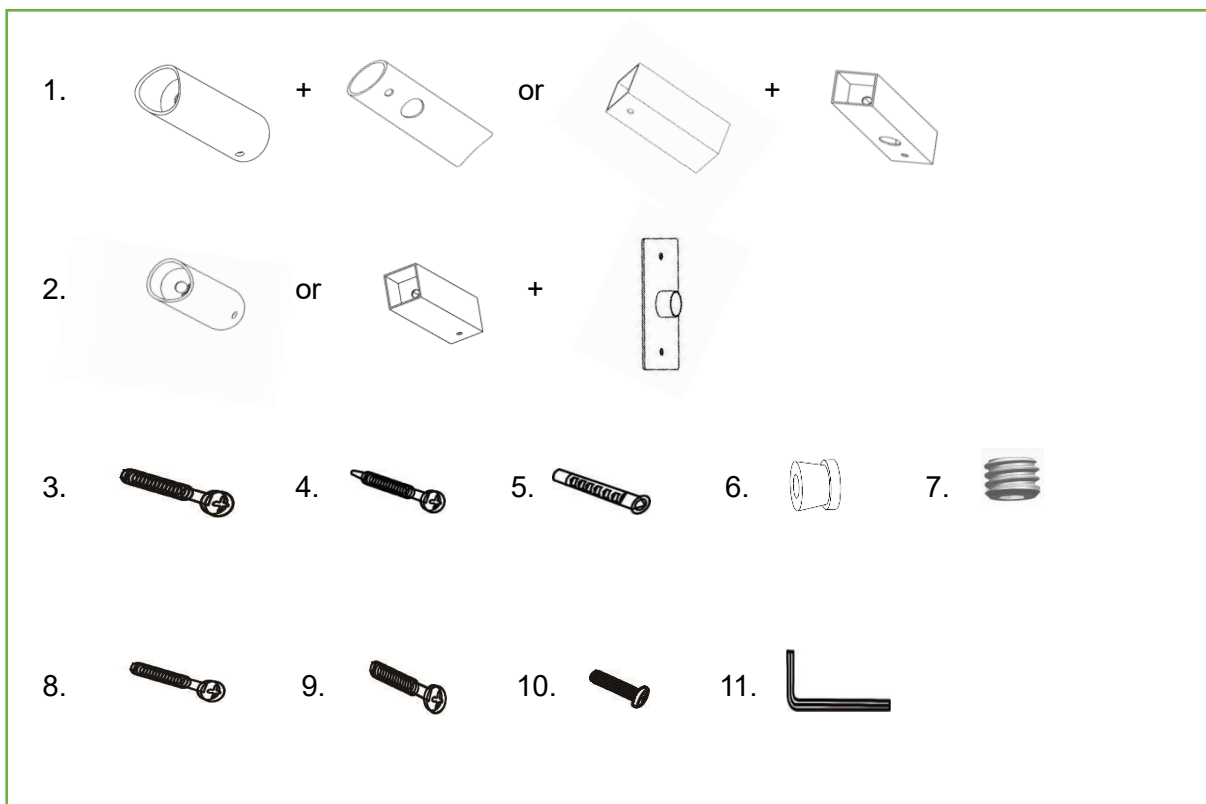
1. Use this appliance only with the voltage specified on the rating label.
2. Electrical work should be performed by a licensed electrician.
3. Make sure the supply cord never touches heated surfaces. If the electrical cord or connection is damaged DO NOT attempt to repair; please contact the supplier.
4. Do not install towel rails in areas which may be subjected to saturation of water resulting in ingress of moisture.
5. It is recommended that all units are protected via a GFCI circuit. The GFCI can be included on your breaker at the panel.
6. This product is supplied with the relevant, fitted three pin socket and three-wire cable, to avoid any risks or danger it must be properly grounded.

Required Tools:



1. Pencil 2. Hammer 3. Tape Measure 4. Electric Drill
5. Phillips Screwdriver 6. Leveling Instrument

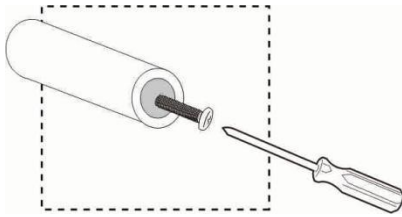
Your package includes:



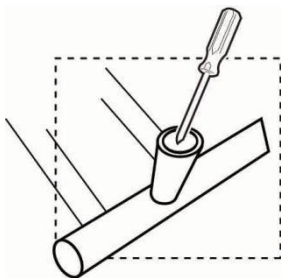
1. Power cord outlet wall bracket x1 + normal wall bracket x3
2. Hardwired wall bracket x1 + hardwired wall panel x1

3. Long screw M6x45mm x4
4. Tapping screw x4
5. Wall anchor x4
6. Bushing x4
7. M5 inner hex angular set screw x4
8. Screw M3.5x25mm x2
9. Screw M6x10mm x1
10. Screw M5x8mm x1
11. Hex key x1

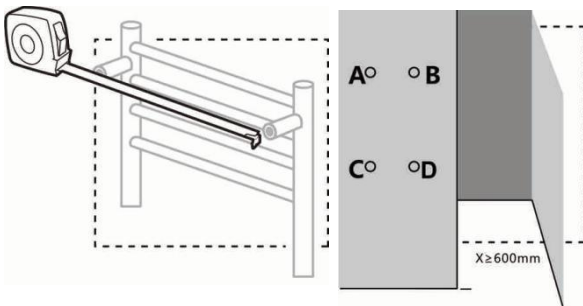
Installation Steps:



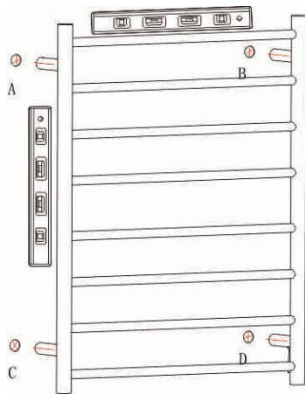
1. Insert the long screw (3) through the normal wall bracket (1)



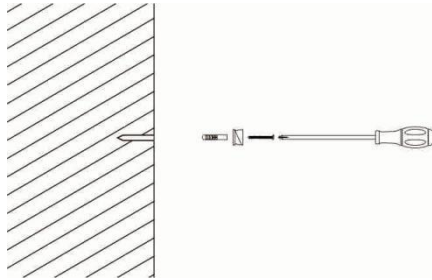
2. Screw down the long screw (3) to connect the normal wall bracket (1) to the vertical bar. Note that the set screw on the wall bracket should be towards the floor when the unit is installed.



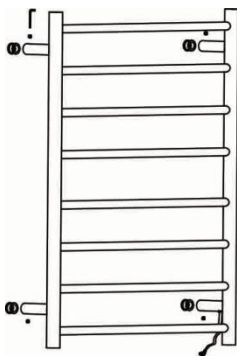
3. Use a measuring tape to measure the distance between the four holes on the towel heater and mark them on the wall (A, B, C, D). A 90-degree corner level is recommended.



4. Drill (A, B, C, D) anchor holes into the wall and use a hammer to the wall anchors (5) completely into the wall.

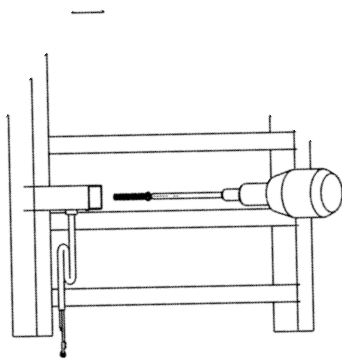


5. Insert the tapping screw (4) through the bushing (6) and then into the wall anchor (5). Make sure that the bushing is secured to the wall.

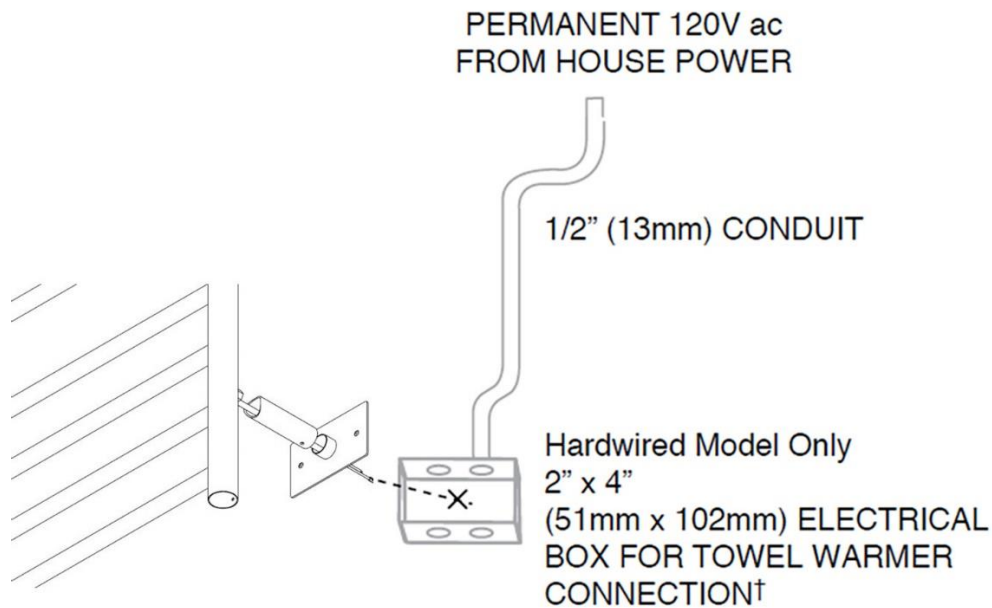


6. Connect the wall bracket (1) to the bushing (6) and tighten the set screw (7) using the hex key (11). Once complete, plug in the unit and press ON switch.

Hardwired Installation:



1. Cut off the plug and take out the wall bracket (1)



2. Connect the hardwired wall bracket and panel (2) by screw (10).
3. Screw down the screw (9) to firmly connect the hardwired wall bracket (2) to the vertical bar.
4. Connect all wires as per code.
5. Fix the hardwired wall panel with screw (9).

Warning:

1. Only use for drying textiles which have been dampened by water.
2. The original wire cannot be replaced, when it is unworkable, the whole product should be replaced.
3. If the appliance is supplied from an extension cord set or electric portable outlet device, then the extension cord or electric portable outlet device should be positioned so that it is not subject to splashing or excessive moisture.