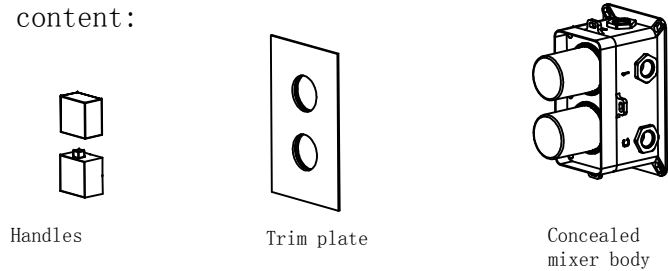




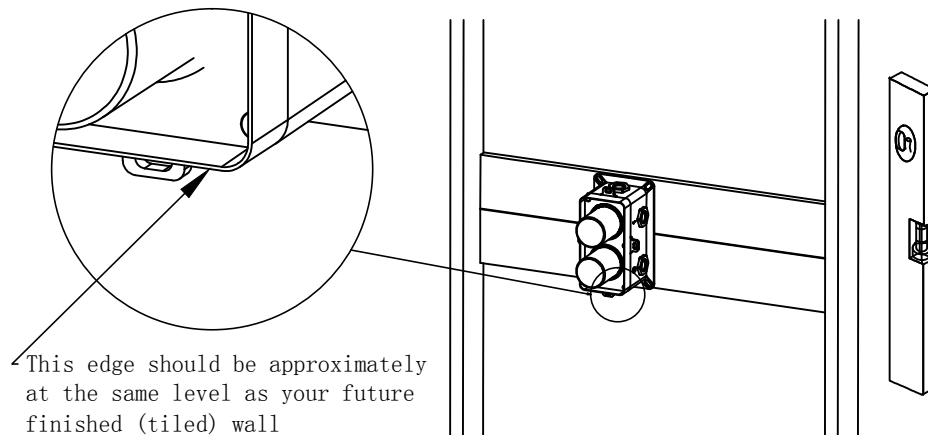
# BAI 0106, 0107, 0108, 0109, 0110, 0111, 0126, 0128, 0129, 0131 Concealed Shower Mixer Installation Instruction

NOTE: Installation should be performed by professional plumber!

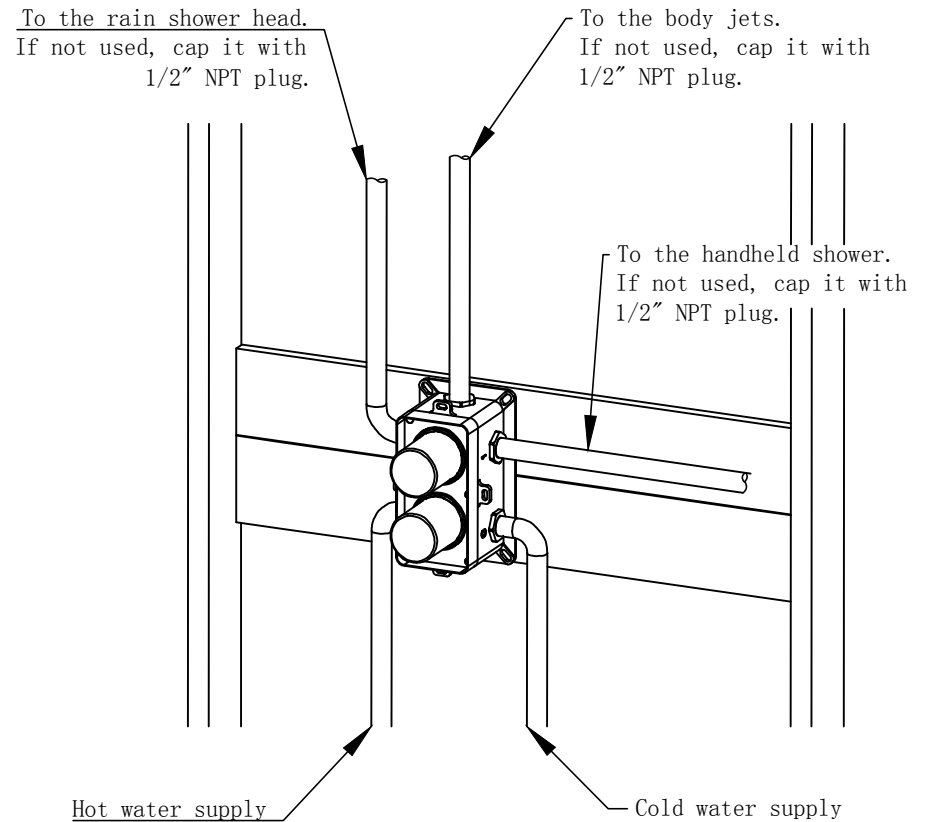
## 1. Box content:



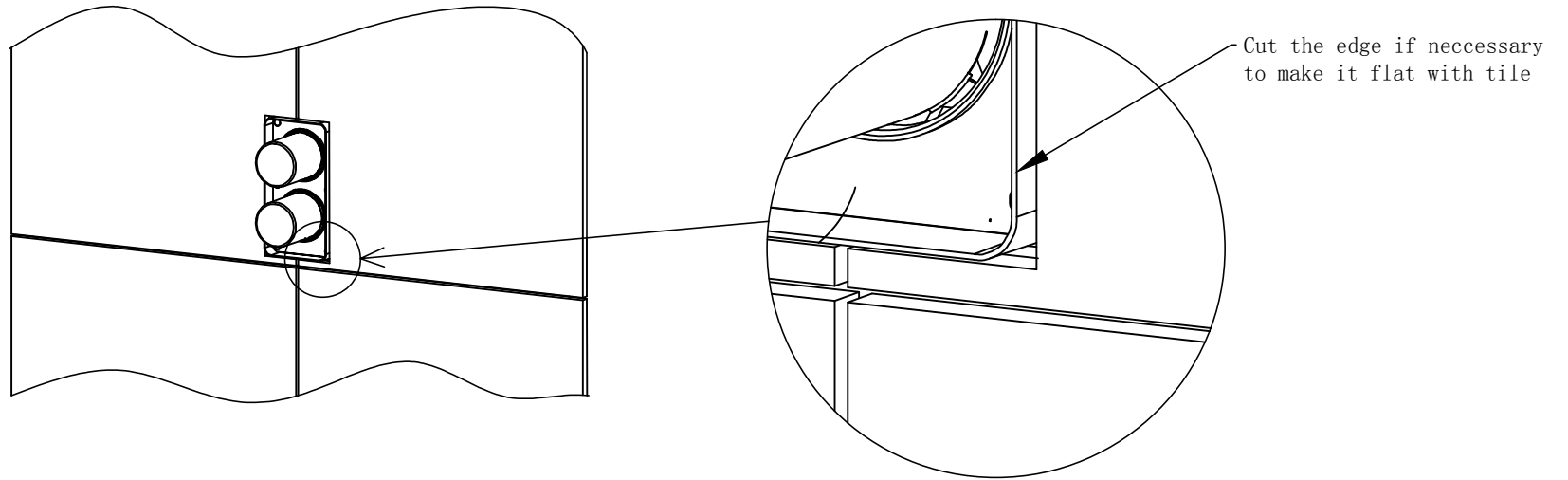
2. Install mixer body in to existing wall frame.  
Make sure to put it in perfect level horizontally and vertically (very important).



3. Use 1/2" NPT fittings and thread seal tape for all pipe work according to the diagram below. No soldering close to the mixer body!



4. Make sure to test for leakage before tile up. Water pressure shouldn't be more than 120 psi.
5. Finish drywall/durock/tile work. Do not remove protective caps till the work is done.



6. Remove protective caps. Install trim plate and handles.

