



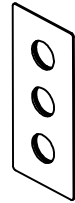
BAI 0103, 0104, 0105, 0123, 0124, 0125 Concealed Shower Mixer Installation Instruction

NOTE: Installation should be performed by professional plumber!

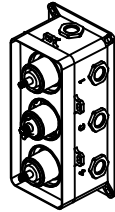
1. Box content:



Handles

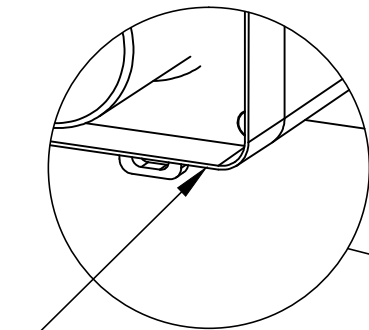


Trim plate

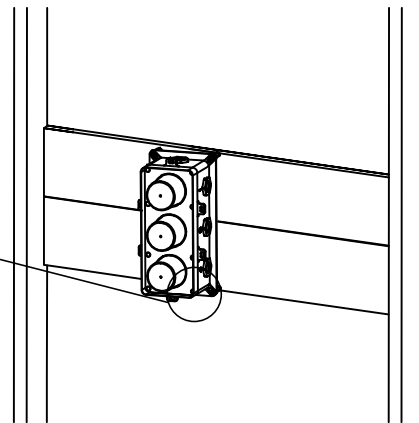


Concealed
mixer body

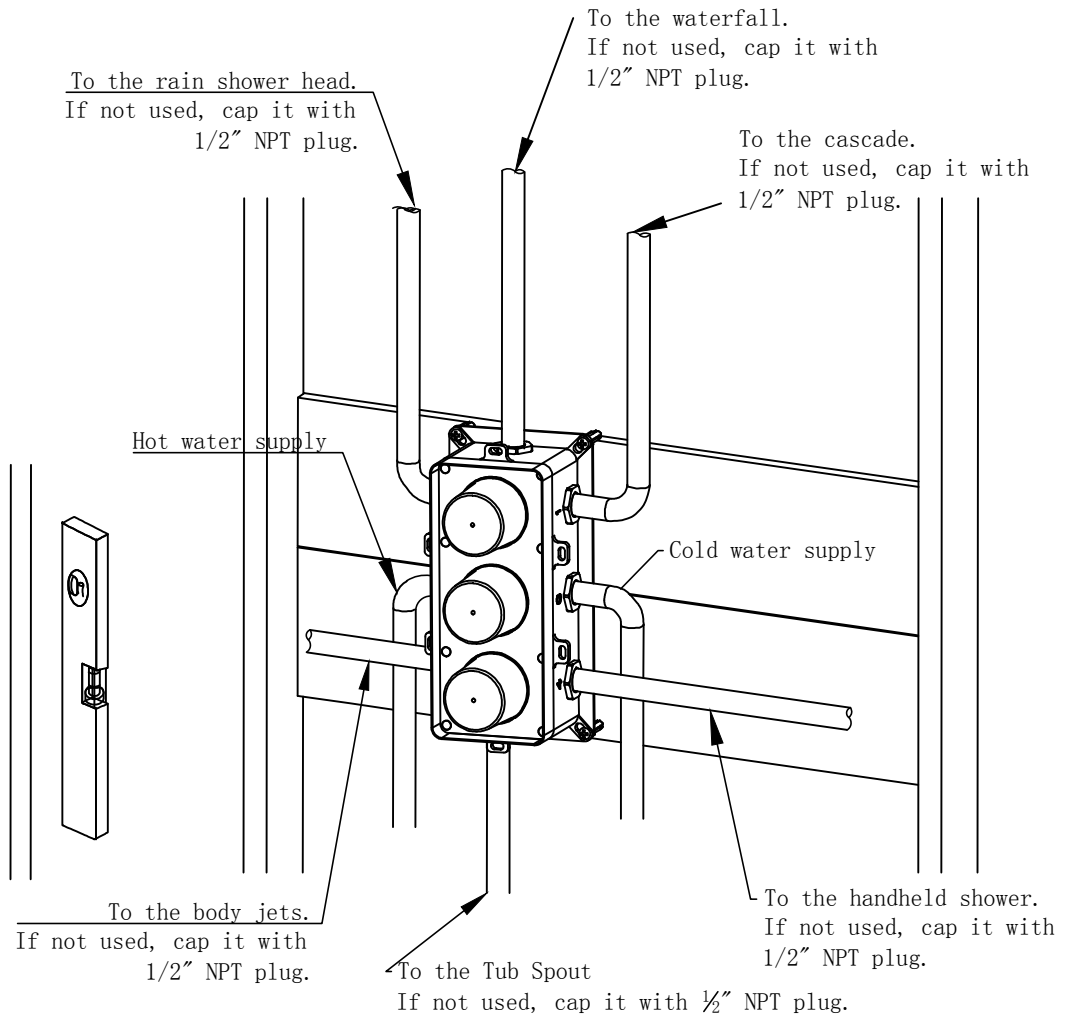
2. Install mixer body in to existing wall frame.
Make sure to put it in perfect level horizontally
and vertically (very important).



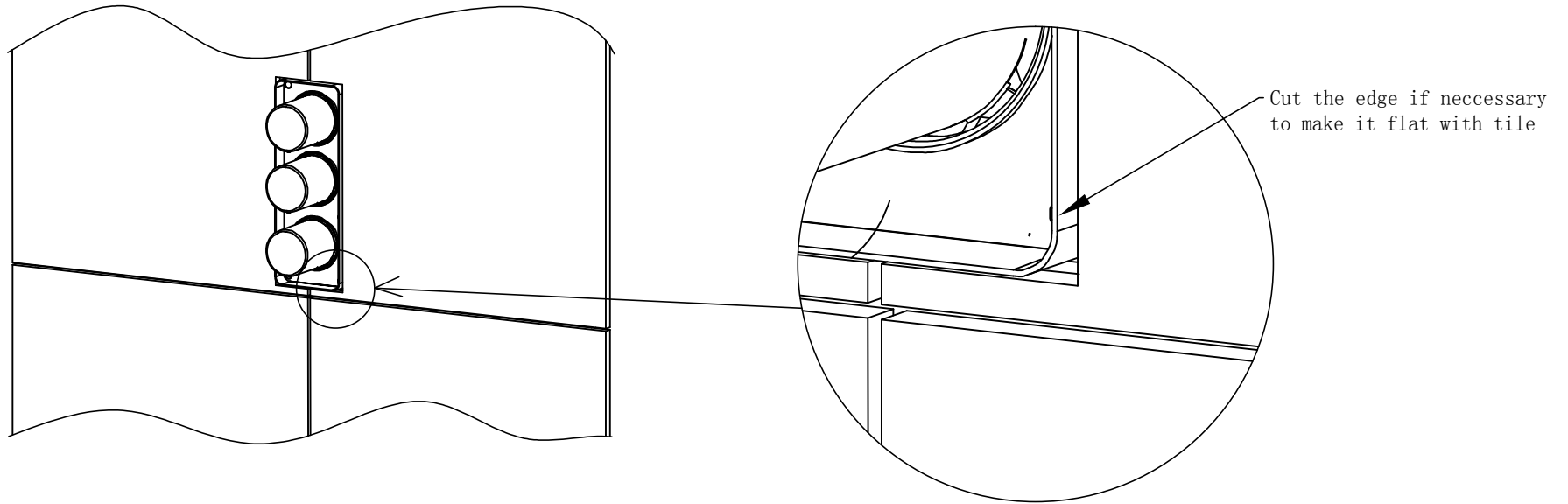
This edge should be approximately
at the same level as your future
finished (tiled) wall



3. Use 1/2" NPT fittings and thread seal tape for all pipe
work according to the diagram below. No soldering close
to the mixer body!



4. Make sure to test for leakage before tile up. Water pressure shouldn't be more than 120 psi.
5. Finish drywall/durock/tile work. Do not remove protective caps till the work is done.



6. Remove protective caps. Install trim plate and handles.

