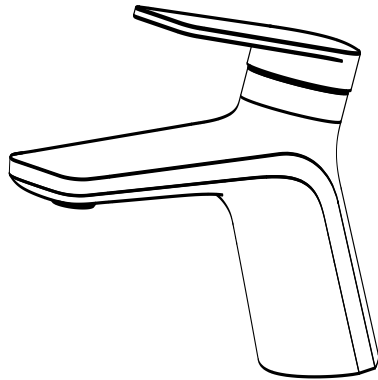




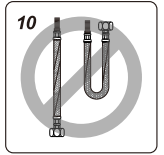
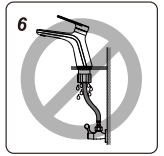
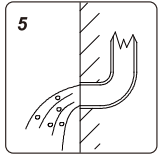
# Basin Mixer Installation Instruction

BAI 2600, 2601, 2602, 2603

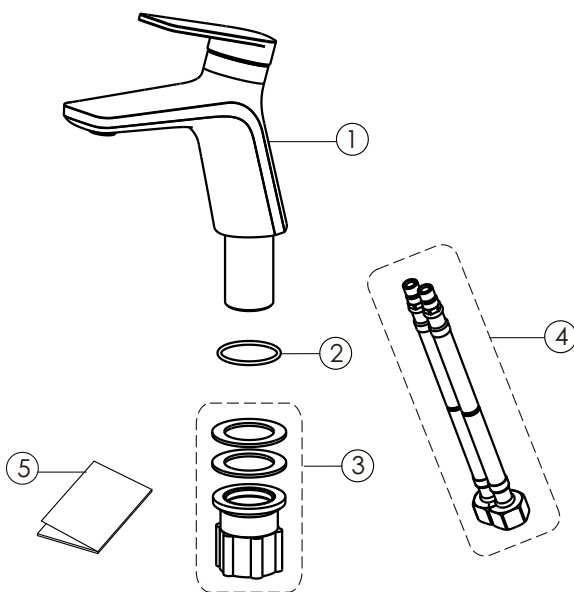


## Installation Condition

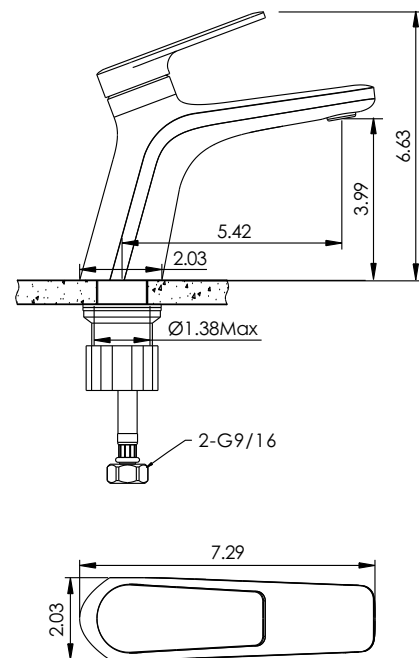
1. When you open the package, please check the parts according to the standard part list, please contact the distributor if it is breakage.
2. Please make sure the size match to this size drawing.
3. The body is under testing by the factory, please don't dismantle.
4. The left connect to the hot water, the right connect to the cold water.
5. Please make sure to clean the impurity and sludge in the hose before assembly in case of the effect of the inusing function.
6. Please check if there are leakage after assembly.
7. Medium temperature shall not be greater than 90°C.
8. Water pressure:  $0.1 \text{ Mpa} \leq \text{water pressure} \leq 1.0 \text{ Mpa}$  (including the cold water pressure).
9. When tighten the connecting nut can not be greater than 10nm.
10. Don't over bend the hose and ensure no hose deformation after installation.



## Standard Part List



## Essential Dimension Diagram



unit : in

NO.	Part Name	Quantity
1	Body Assy	1
2	O-Ring	1
3	Fitting Assy	1
4	Hose	2
5	Instruction	1

We will update and improve the design and the function, we will keep the right to change the size, we will not advise at that time again.

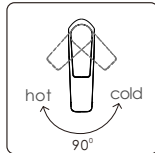
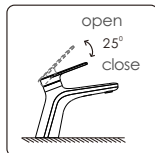


<p><b>1</b></p>	<p><b>2</b></p>	<p><b>3</b></p>	<p><b>4</b></p>
<p>Make sure there is a 35-40 Hole on the basin before fix the faucet. Unscrew the fitting ASSY from the bottom of the body, then get the body through the hole, don't forget to fix the o-ring between the bottom of the body and the basin.</p>	<p>According the remove step to screw up the fixing set to the mixer below the basin.</p>	<p>Use hand to screw up the locknut, then use install tool for fixing strengthen.</p>	<p>Connect the inlet hose from the body, "Red" for connecting to the hot water, and "Blue" for connecting to the cold water.</p>

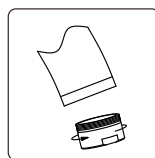
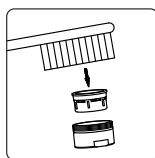
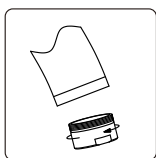
Application Instruction



1. Gradually pull the handle, it will be more advantageous to protect the cartridge.
2. Pull the handle right is open, the angle you pull are more, the flow rate is becoming large, conversely the angle you pull are small, the flow rate is becoming little till close.
3. When pull the handle top, then turn left, the water outlet is hot water; gradually turn left, the flow rate is larger; turn right, the water outlet is cold water, gradually turn right, the flow rate is larger.



The sweet hints



According to the water quality, periodically disconnect the aerator cover for cleaning to avoid jam. It will prevent the leakages and cartridge if the spout jams.

Care and Maintenance



In order to keep the surface of mixer bright, please keep cleaning the mixer regularly.

- Wash mixer with clean water, and dry with soft cotton cloth.
- In order to prevent the worn-out surface, please avoid cleaning with polishing powder and cleaning powder which including the coarse particles.
- Avoid using acidic detergent to contact the surface of mixer as it may cause corrosion.

Please obey the following procedure when you clean the mixer.

1. Use clear water and the soft cloth to clean the dirt.
2. Use the any following cleanser to remove the dirt.
  - Gentle liquid detergent.
  - Colorless glass cleanser.
  - Without wear of polishes.
3. Please clean and remove all the cleanser after finish the cleaning, and dry with the soft cotton cloth.

