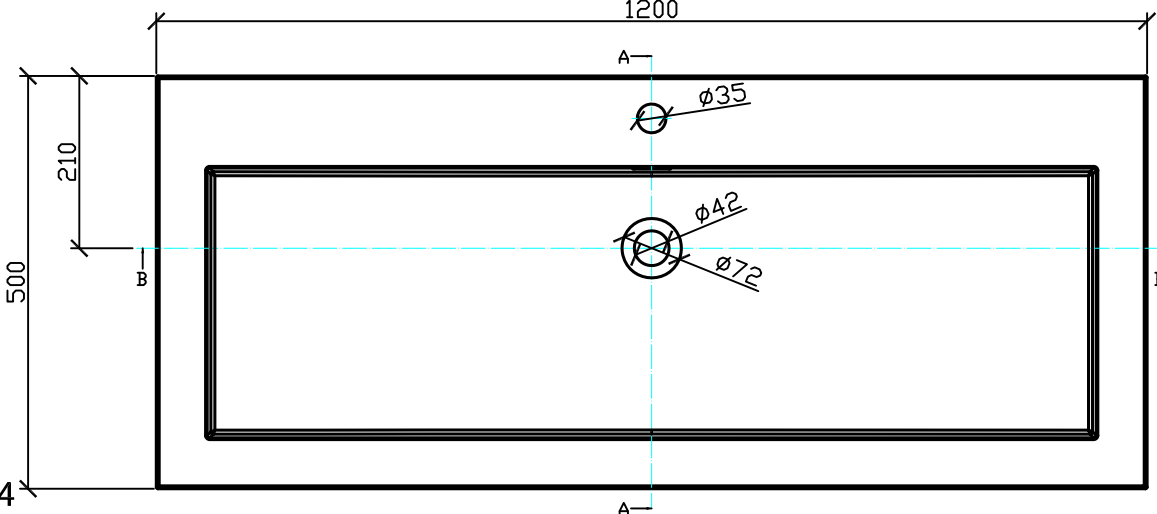


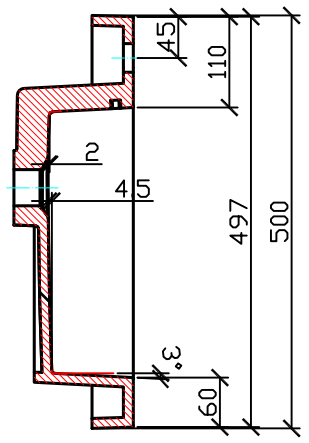
SECTION B-B



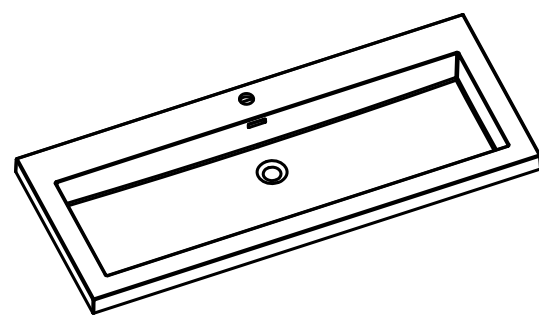
Ø35

Ø42

Ø72



SECTION A-A



BAI 0858 - Basin

0004

7

2.14