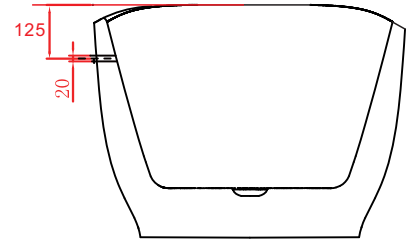
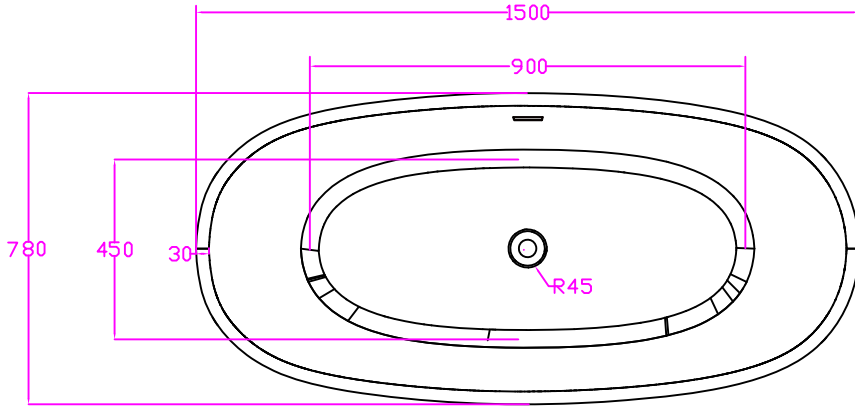


Front View

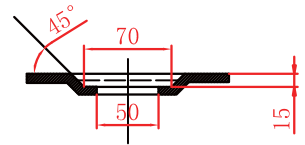


Side View



Top View

Section A Detailed



BAI 1611