



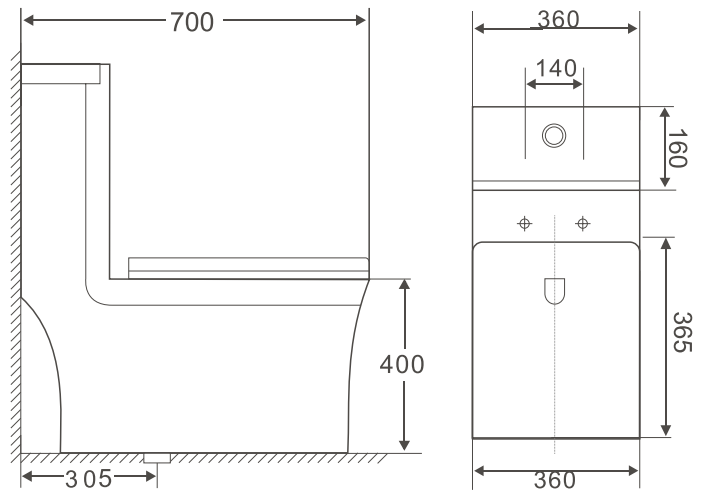
□ SPECIFICATION

- Vitreous China
- High Efficient dual-flush
- R&T cUPC Certificated Flush Valve
- Chrome-plated side button
- Vortex Siphon Flush
- 2" fully-glazed Trap way
- Soft-closing PP Seat Cover
- 100% Flush Test and Leakage Test
- 2 Bolt Covers
- Wax Ring & Installation Screws



□ DIMENSIONS

- L x W x H: 700x360x740 mm
(27-1/2"x14-1/5"x29-1/5")
- Rough-in: 12"
- Trap Way: 2"



□ COMPLIANCE CERTIFICATION

- ASME A112.19.2-2013/CAS B45.1-13 including Update No.1 dated October 2013 for Vitreous China Fixtures - includes Flush Performance, Ball Pass Diameter, Trap Seal Depth and all Dimensions
- cUPC certification from IAPMO

NOTES:

- SUPPLY LINE NOT INCLUDED WITH FIXTURE AND MUST BE ORDERED SEPARATELY
- MEGABAI HOLDS THE RIGHT TO IMPROVE APPEARANCE, DIMENSIONS AND TECHNOLOGY OF THE PRODUCTS WITHOUT PRIOR NOTICE,

□ INCLUDED:



MECHANISM



CLIP HINGE



INSTALLATION SCREWS



2 BOLT COVERS



WAX RING