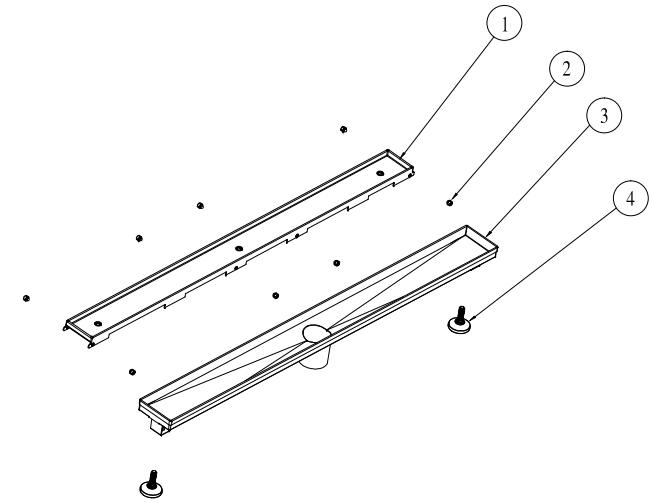


SECTION A-A



BAI 0554 Linear Drain

NO	DESCRIPTION	QTY	MATERIAL	SIZE
1	Linear drain cover	1	SUS304	31 3/4" X 2 3/4" X 3/4" (18G)
2	plastic connectors	8	PP	ø 3/8" X 9/16"
3	Linear drain stand	1	SUS304	32" X 3" X 3 3/8" (18G)
4	mounting brackets	2	composite material	ø 1 7/16" X 1 1/16"

www.megabai.com

Type:	Linear drain	Material:	SUS304
Model:	SD-SF0554-32	Feature:	18/8 Chrome-Nickel
Size/Overall:			Polished, Stain Finish
Scale:			
Design:	BAI		
Drawn:			
Date:	2014-03-27	Logo:	
Manufacture Date:		Approved:	