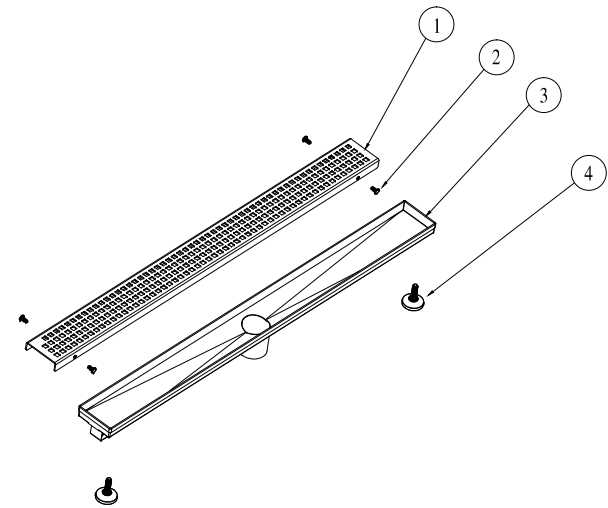


SECTION A-A



## BAI 0551 Linear Drain

| NO | DESCRIPTION        | QTY | MATERIAL           | SIZE   |
|----|--------------------|-----|--------------------|--|
| 1  | Linear drain cover | 1   | SUS304             | 31 <sup>3</sup> / <sub>4</sub> "X2 <sup>3</sup> / <sub>4</sub> "X <sup>3</sup> / <sub>4</sub> "(14G) |
| 2  | plastic connectors | 4   | PP                 | ∅ <sup>3</sup> / <sub>8</sub> "X <sup>9</sup> / <sub>16</sub> "                                      |
| 3  | Linear drain stand | 1   | SUS304             | 32"X3"X3 <sup>3</sup> / <sub>8</sub> "(18G)  |
| 4  | mounting brackets  | 2   | composite material | ∅1 <sup>7</sup> / <sub>16</sub> "X1 <sup>1</sup> / <sub>16</sub> "                                   |

[www.megabai.com](http://www.megabai.com)

|                   |              |           |                        |
|-------------------|--------------|-----------|------------------------|
| Type:             | Linear drain | Material: | SUS304                 |
| Model:            | SD-SF0551-32 | Feature:  | 18/8 Chrome-Nickel     |
| Size/Overall:     |              |           | Polished, Stain Finish |
| Scale:            |              |           |                        |
| Design:           | BAI          |           |                        |
| Drawn:            |              |           |                        |
| Date:             | 2014-03-27   | Logo:     |                        |
| Manufacture Date: |              | Approved: |                        |