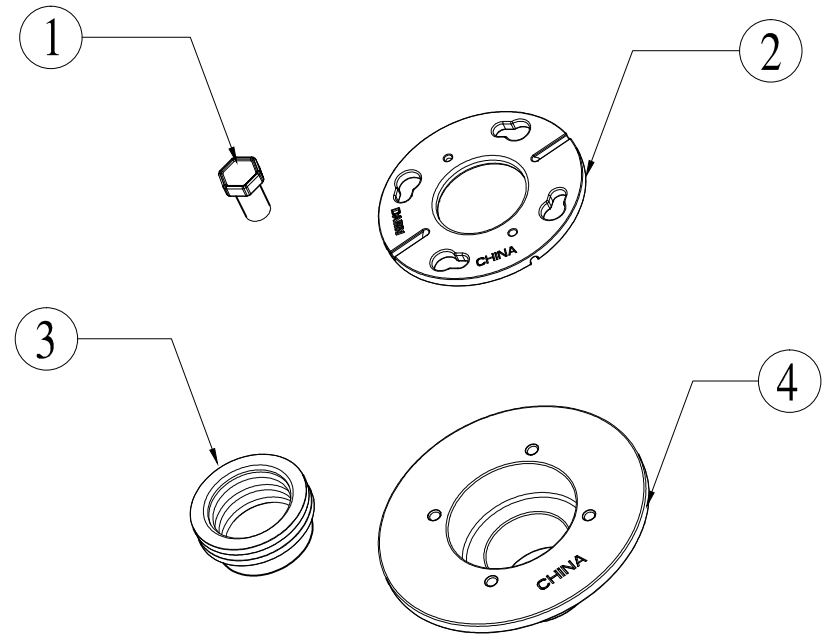


SECTION A-A



BAI 0549 Membrane Connector

NO	DESCRIPTION	QTY	MATERIAL	SIZE
1	Screw	4	Galvanized	M8X15mm
2	Lower Drain Cover	1	Cast Iron	Ø5"X1/4"
3	Rubber Ring	1	Rubber	Ø2 3/4"X1 1/4"
4	Lower Drain Base	1	Cast Iron	Ø6 5/8"X2 3/16"

www.megabai.com

Type:		Material:	Cast Iron
Model:	DA-CI0549-2.5	Feature:	
Size/Overall:	Ø6 5/8"X3"		
Scale:			
Design:	BAI		
Drawn:			
Date:		Logo:	
Manufacture Date:		Approved:	