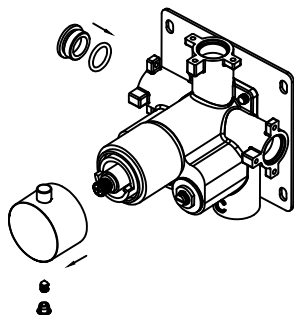
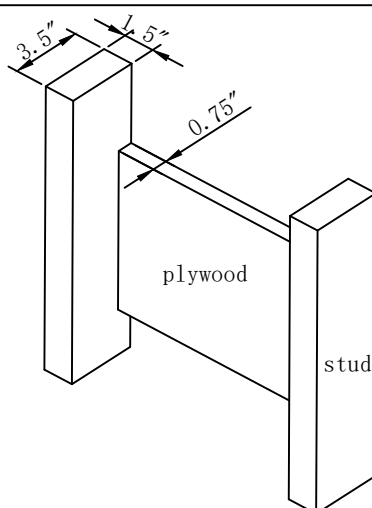


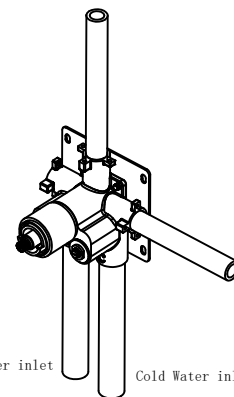
# BAI Thermostatic Valve Installation Manual



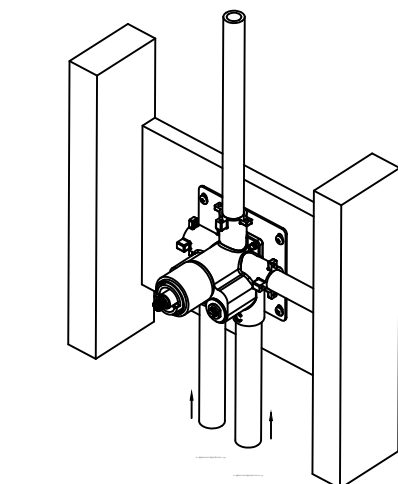
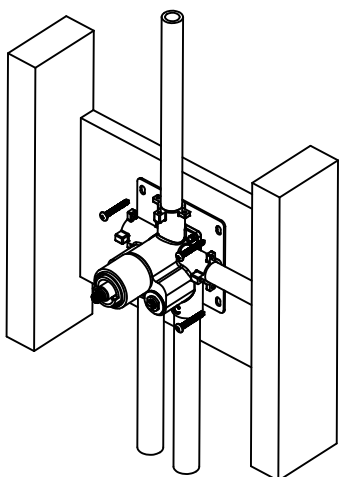
1) General View



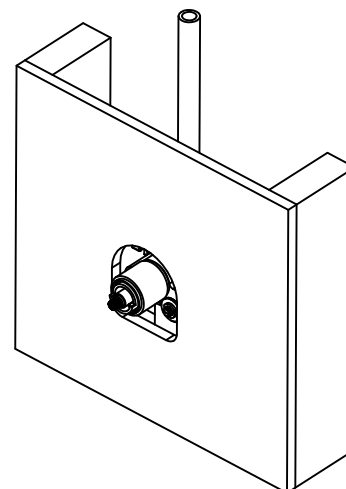
2) The depth of this structure is designed to be used with durock+glue+tile 1.25" thick combined. If thicker tile or/and durock will be used - bring 0.75" plywood backplate closer to the front.



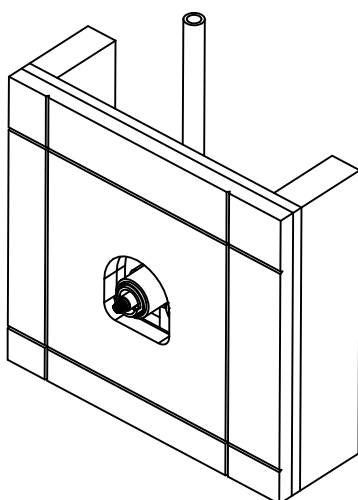
3) Connect hot and cold water supply using  $\frac{3}{4}$ " NPT connectors with pre-soldered 10" copper pipe. Connect outlets using  $\frac{1}{2}$ " NPT connectors with pre-soldered 10" copper pipe. If the outlet is not used, close it with provided  $\frac{1}{2}$ " cap.



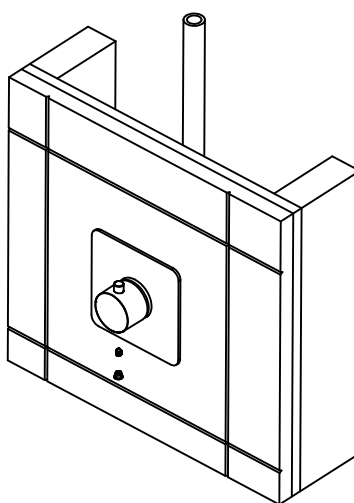
5) Flush water supply thoroughly to remove shaving and impurities. Finish the pipework, cap unused outlets, turn on the water and test for leakage.



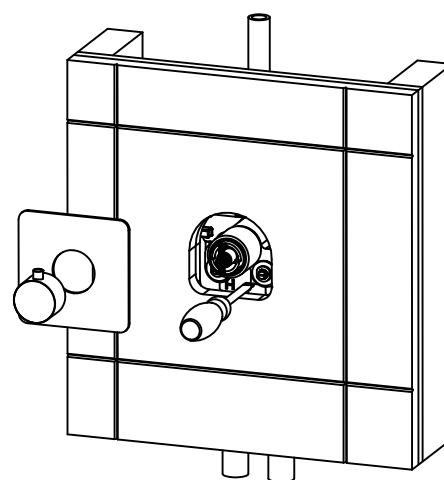
6) Do not remove the rubber cap on the valve. Finish the durock/drywall installation, leave hole in tile so shut-off valves would be exposed. Recommended durock/drywall thickness is 0.25"



7) Finish tile installation. Recommended tile thickness is 0.5" to 0.75", the glue thickness should be no greater than 0.25", shut-off valves should be exposed.



8) Remove the rubber cap, install the face plate using small amount of clear silicone. Install the knob, tighten the M5 screw using provided allen key and insert the plug.



9) The shut-off valves are for the future maintenance. Remove the knob and face plate, use screwdriver to shut down the water.