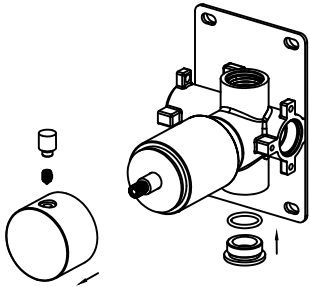
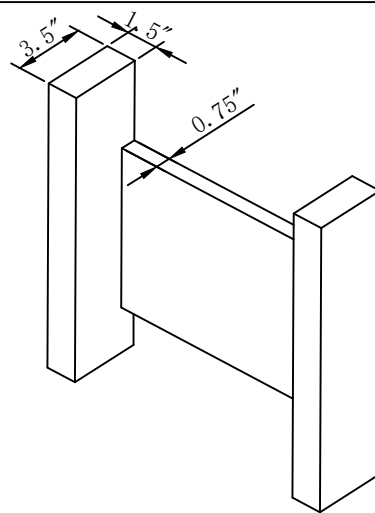


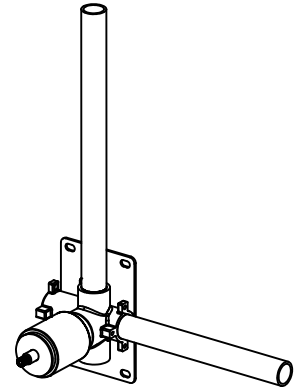
# BAI ON/OFF Valve Installation Manual



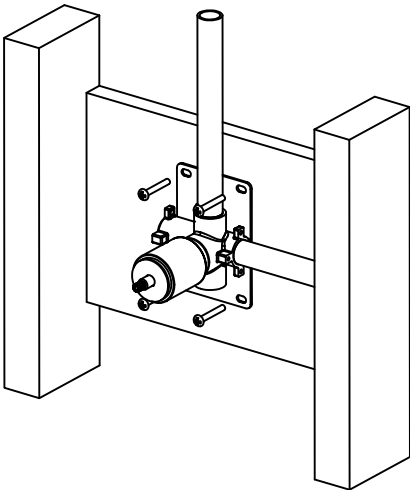
1) General View



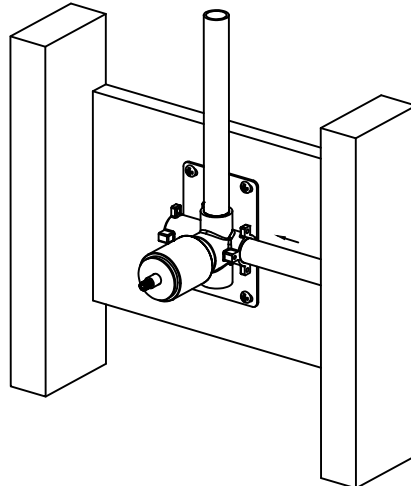
2) The depth of this structure is designed to be used with durock+glue+tile 1.25" thick combined. If thicker tile or/and durock will be used - bring 0.75" plywood backplate closer to the front.



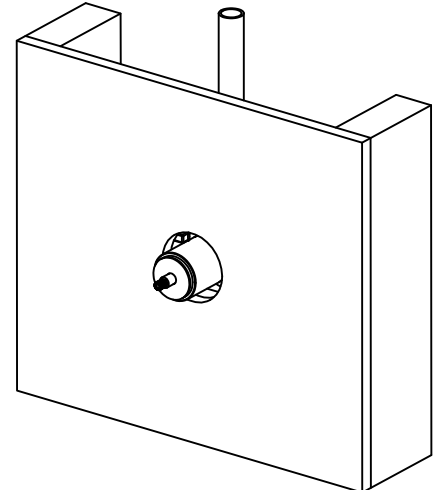
3) Connect the water inlet and outlet using 1/2" NPT connectors with pre-soldered 10" copper pipe. If the inlet/outlet is not used, close it with with provided 1/2" cap.



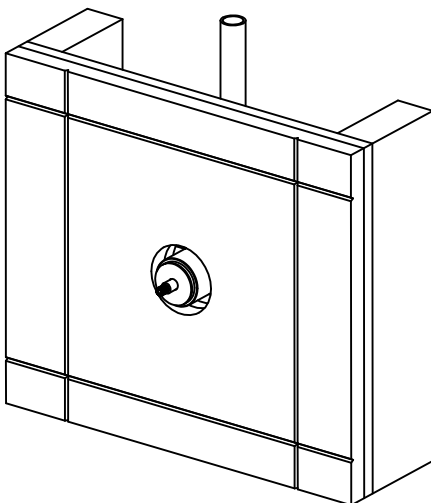
4) Mount the valve body using included screws. Make sure to put it in perfect level horizontally and vertically.



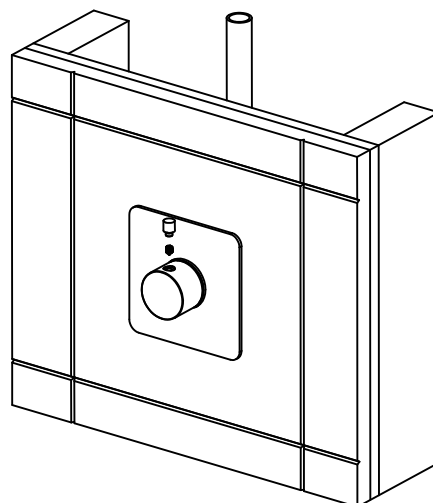
5) Flush valve thoroughly to remove shaving and impurities. Finish the pipework, cap unused outlets, turn on the water and test for leakage.



6) Do not remove the rubber cap on the valve. Finish the durock/drywall installation, leave hole in tile so shut-off valves would be exposed. Recommended durock/drywall thickness is 0.25"



7) Finish tile installation. Recommended tile thickness is 0.5" to 0.75", the glue thickness should be no greater than 0.25", shut-off valves should be exposed.



8) Remove the rubber cap, install the face plate using small amount of clear silicone. Install the knob, tighten the M5 screw using provided allen key and insert the plug.