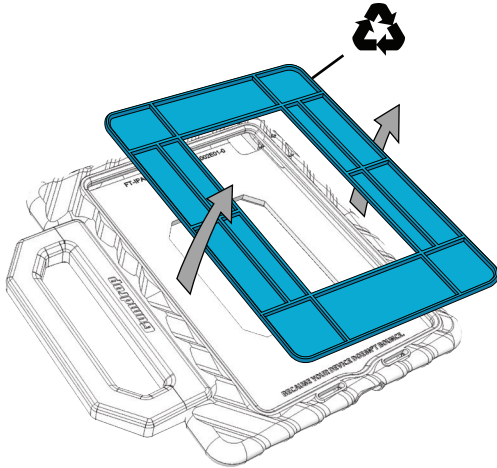


**1**

Remove the plastic packaging insert from the case.

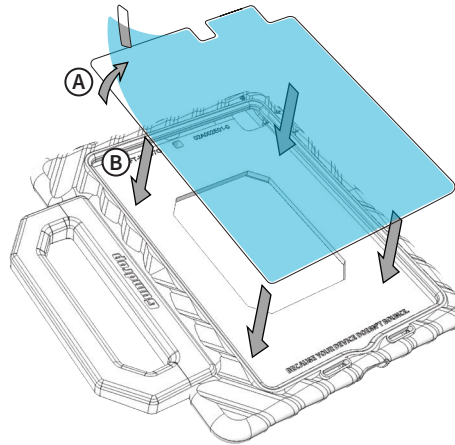
Please recycle the insert after removal.



**2**

(A) Remove the protective film from the plastic underlay.

(B) Place the underlay into the case with the rough side down. The underlay cutouts should align with the cutouts of the case.



**3**

Insert the iPad by flexing the sides around the device.

The iPad home button should align with the bottom cutout of the case.

