

Last modification 2022-12-06

## ZAHA PE04-AGCR 9329501057599



Spheres of prismatic cut crystal bring contemporary glamour to the ZAHA collection. Each sphere is illuminated with a LED twinkle globe accentuating the cut surface. The family includes a 1 light pendant, 1 light wall lamp, 2 light table lamp, 4 light bar pendant, 5 light round pendant and 10 light round pendant. Available in Antique gold or chrome.

### Overview

<b>Family name</b>	Zaha
<b>Categories</b>	Pendants
<b>Mounting</b>	Surface
<b>This item includes</b>	Glass,Suspension
<b>Suspension Type</b>	Cable
<b>Usage</b>	Indoor Lighting

### Color / Material

<b>Fixture Color</b>	Clear,Antique Gold
<b>Fixture Material</b>	Iron,Crystal
<b>Canopy Color</b>	Antique Gold
<b>Shade Color</b>	Clear
<b>Shade Material</b>	Crystal
<b>Cable Color</b>	Black
<b>Cable Material</b>	Textile

### Size

<b>Fixture Length (cm)</b>	96.5
<b>Fixture Width (cm)</b>	11.0
<b>Fixture Height (cm)</b>	11.5
<b>Canopy Length (cm)</b>	90.0
<b>Canopy Projection (cm)</b>	2.5
<b>Canopy Width (cm)</b>	8.0
<b>Shade Diameter (cm)</b>	11.0
<b>Shade Height (cm)</b>	9.0
<b>Suspension Length (cm)</b>	200.0

All representations within this document are subject to copyright.ELECTRICAL INSTALLATIONS MUST BE PERFORMED BY A QUALIFIED ELECTRICAL CONTRACTOR AND INSTALLED IN ACCORDANCE WITH AS/NZS 3000.  
NOTE : All images , descriptions and dimensions are indicative. Please check latest version of item detail on Telbix website prior to ordering or installation.

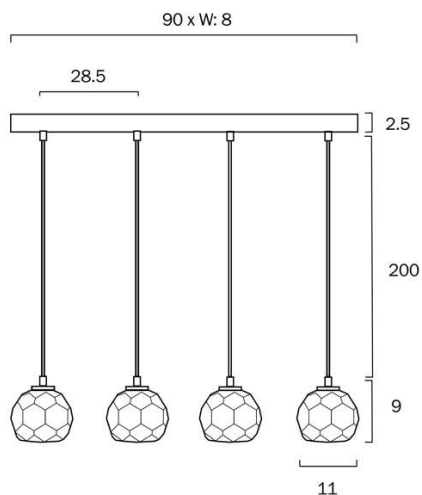
## Specification

<b>Voltage Input</b>	240V
<b>Wattage (max)</b>	12
<b>Wattage</b>	3
<b>Globe Type</b>	G9
<b>Globe / Light Source qty</b>	4
<b>Globe / Light Source included</b>	Yes
<b>Color Temperature</b>	Warm White
<b>Color Kelvin</b>	3000k
<b>Color Rendering</b>	>80
<b>Dimmable</b>	No
<b>Electrical Protection</b>	CLASS I - HIGH VOLTAGE, EARTH REQUIRED
<b>IP rating</b>	IP20
<b>Lead and Plug</b>	No
<b>Approvals</b>	RCM
<b>Assembly Required</b>	Yes
<b>Box Contents</b>	Basic mounting screws, Instruction
<b>Installation Required</b>	Yes (by Licensed Electrician only)
<b>Care Instructions</b>	Do not use strong liquid cleaners, Wipe clean with a dry cloth
<b>Replacement Warranty</b>	*3 Years

## Barcode

**GTIN** 9329501057599

## Image -dimensions







Last modification

2022-12-06

## ZAHA PE04-CHCR

9329501057582



Spheres of prismatic cut crystal bring contemporary glamour to the ZAHA collection. Each sphere is illuminated with a LED twinkle globe accentuating the cut surface. The family includes a 1 light pendant, 1 light wall lamp, 2 light table lamp, 4 light bar pendant, 5 light round pendant and 10 light round pendant. Available in Antique gold or chrome.

### Overview

<b>Family name</b>	Zaha
<b>Categories</b>	Pendants
<b>Mounting</b>	Surface
<b>This item includes</b>	Glass,Suspension
<b>Suspension Type</b>	Cable
<b>Usage</b>	Indoor Lighting

### Color / Material

<b>Fixture Color</b>	Clear,Chrome
<b>Fixture Material</b>	Iron,Crystal
<b>Canopy Color</b>	Chrome
<b>Shade Color</b>	Clear
<b>Shade Material</b>	Crystal
<b>Cable Color</b>	Black
<b>Cable Material</b>	Textile

### Size

<b>Fixture Length (cm)</b>	96.5
<b>Fixture Width (cm)</b>	11.0
<b>Fixture Height (cm)</b>	11.5
<b>Canopy Length (cm)</b>	90.0
<b>Canopy Projection (cm)</b>	2.5
<b>Canopy Width (cm)</b>	8.0
<b>Shade Diameter (cm)</b>	11.0
<b>Shade Height (cm)</b>	9.0
<b>Suspension Length (cm)</b>	200.0

All representations within this document are subject to copyright.ELECTRICAL INSTALLATIONS MUST BE PERFORMED BY A QUALIFIED ELECTRICAL CONTRACTOR AND INSTALLED IN ACCORDANCE WITH AS/NZS 3000.  
NOTE : All images , descriptions and dimensions are indicative. Please check latest version of item detail on Telbix website prior to ordering or installation.

## Specification

<b>Voltage Input</b>	240V
<b>Wattage (max)</b>	12
<b>Wattage</b>	3
<b>Globe Type</b>	G9
<b>Globe / Light Source qty</b>	4
<b>Globe / Light Source included</b>	Yes
<b>Color Temperature</b>	Warm White
<b>Color Kelvin</b>	3000k
<b>Color Rendering</b>	>80
<b>Dimmable</b>	No
<b>Electrical Protection</b>	CLASS I - HIGH VOLTAGE, EARTH REQUIRED
<b>IP rating</b>	IP20
<b>Lead and Plug</b>	No
<b>Approvals</b>	RCM
<b>Assembly Required</b>	Yes
<b>Box Contents</b>	Basic mounting screws,Instruction
<b>Installation Required</b>	Yes (by Licensed Electrician only)
<b>Care Instructions</b>	Do not use strong liquid cleaners,Wipe clean with a dry cloth
<b>Replacement Warranty</b>	*3 Years

## Barcode

**GTIN** 9329501057582

## Image -dimensions

