



4110 SERIES

VBLWPK-4110-4-CCT



Constructed from heavy duty aluminum base and polycarbonate diffuser this IP65 rated and vandal resistant high output LED wall pack ticks all the boxes for a reliable commercial or industrial wall light that won't give up on you.

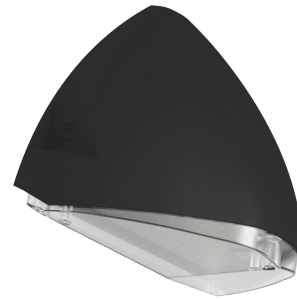
Features & Benefits

- Modern and minimalist design
- High efficiency, up to 140LM/W
- Black aluminium base with polycarbonate reeded diffuser
- Suitable for rear and side cable entry
- IP65 rated
- IK10 rated for impact resistance
- 60,000 hour lifespan
- 5 year warranty

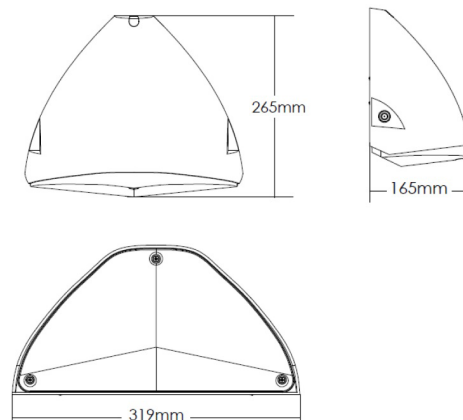


Specifications

SKU	VBLWPK-4110-4-CCT
Luminaire efficacy	125
EAN	9340994026053
Weight	2.35
Light Colour	CCT
Wattage	28
Lumen output	3500
IP rating	65
IK Rating	10
CRI	80
Beam Angle	110
Trim colour	Black
Length	319
Width	165
Height	264
Lifespan	60000
Warranty	5
Mounting type	Surface
Material	Aluminium Base, Polycarbonate Opal Diffuser
Lamp Type	LED
Input voltage	220V-240V AC 50HZ
Diffuser	Opal
Wiring method	Hardwire
Weatherproof	Weatherproof
Working temperature	-20°C~40°C



Dimensional Drawings



Photometric information available upon request.