

## LED 269 Wall Lights

### VBLWL-269-4-30



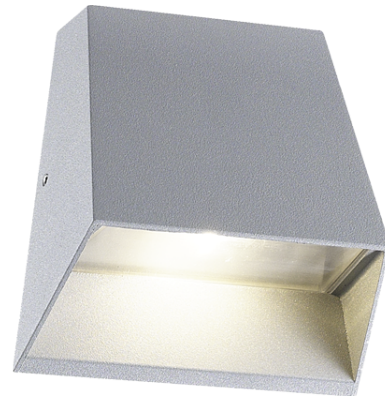
Vibe 269 Series 6W Warm White LED Wall Light In Black. Made with strong die-cast aluminium with a UV stabilised polyester powder-coated finish to resist corrosion. Featuring hardy construction and elegant architecturally designed looks. Available in Black or Silver trim colour.

### Features & Benefits

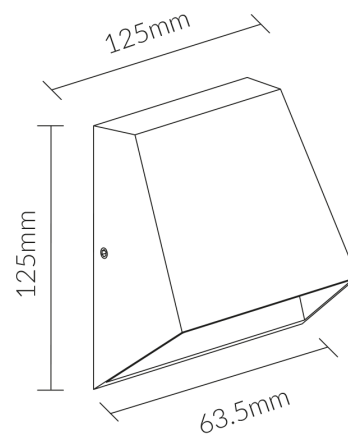
- Equipped with CREE LED chips
- High strength die-cast body and bracket
- UV Stabilised polyester powder coating, resistant to corrosive environments
- Available in Black trim colour
- IP54 rates
- 50,000 hour lifespan
- 3 year warranty

## Specifications

<b>SKU</b>	VBLWL-269-4-30
<b>Luminaire efficacy</b>	56
<b>EAN</b>	9340994404103
<b>Light Colour</b>	Warm White
<b>Wattage</b>	6
<b>Lumen output</b>	340
<b>IP rating</b>	54
<b>CRI</b>	80
<b>Beam Angle</b>	100
<b>Trim colour</b>	Black
<b>Length</b>	125
<b>Height</b>	125
<b>Lifespan</b>	50000
<b>Warranty</b>	3
<b>Mounting type</b>	Surface
<b>LED source</b>	CREE
<b>Material</b>	Die-cast Aluminium
<b>Lamp Type</b>	LED
<b>Input voltage</b>	220V-240V AC 50HZ
<b>Wiring method</b>	Hardwire
<b>Weatherproof</b>	Weatherproof
<b>Working temperature</b>	-20°~50°C
<b>Kelvin</b>	3000K



## Dimensional Drawings



*Photometric information available upon request.*