



2FT LED BATTEN 20W 3CCT IP20

VBLB-2-20W-CCT



Our 2 foot, 40W, 100 Series LED Batten is an excellent indoor choice, offering application versatility across many industries including the option of a lineal industrial look in offices or even supermarkets. With a smooth, even light distribution, the polycarbonate build provides a sleek contemporary design. 3CCT allows you to select the best kelvin temperature to suit the space - 3000K, 4000K or 5700K, the choice is yours! Including multiple wiring terminals and safety chains, installation is simple and safe. Includes a 40,000 hour lifespan and 3 year warranty.

Features & Benefits

- Sleek, contemporary design
- Equipped with high efficiency EPISTAR LED chips
- Polycarbonate housing
- Multiple wiring terminals for easy installation
- Includes installation safety chains
- Smooth, even light distribution
- 40,000 hours lifespan
- 3 years warranty



2FT LED BATTEN 20W 3CCT IP20

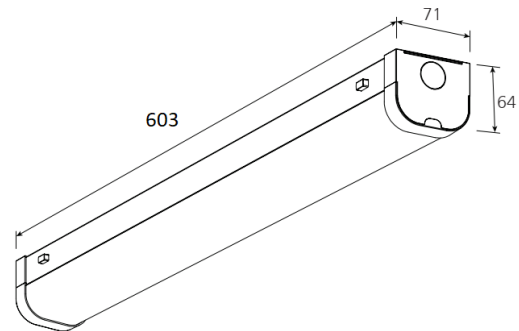
VBLB-2-20W-CCT

Specifications

SKU	VBLB-2-20W-CCT
Luminaire efficacy	110
EAN	9340994023496
Light Colour	3CCT
Wattage	20
Lumen output	2200
IP rating	20
CRI	80
Beam Angle	120
Length	603
Width	71
Height	64
Lifespan	40000
Warranty	3
Dimmable	Non-Dimmable
Mounting type	Surface
LED source	Epistar
Material	Polycarbonate Housing
Lamp Type	LED
Input voltage	220V-240V AC 50HZ
Diffuser	Frosted
Wiring method	Hardwire
Weatherproof	Indoor Use Only
Working temperature	-20 to 45 degrees



Dimensional Drawings



Photometric information available upon request.