

Last modification 2022-12-02

TYLER FL-NK 9329501032916



Overview

Family name	Tyler
Categories	Floor Lamps
Switch	Button switch on base
Usage	Indoor Lighting

Color / Material

Fixture Color	Nickel
Fixture Material	Metal
Base Color	Nickel
Base Material	Metal
Cable Color	Black
Cable Material	PVC

Size

Fixture Diameter (cm)	10.0
Fixture Height (cm)	150.0
Cable Length (cm)	Toogle Switch (Arm) +180

Specification

Voltage Input	240V
Wattage (max)	6
Globe Type	LED integrated SMD
Globe / Light Source qty	1
Globe / Light Source included	Yes
Lumens	420
Color Temperature	Warm White
Color Kelvin	3000k
Color Rendering	>80
Dimmable	No
Power Factor	>0.90
Current Output	500
Electrical Protection	CLASS II - DOUBLE INSULATED, EARTH NOT REQUIRED

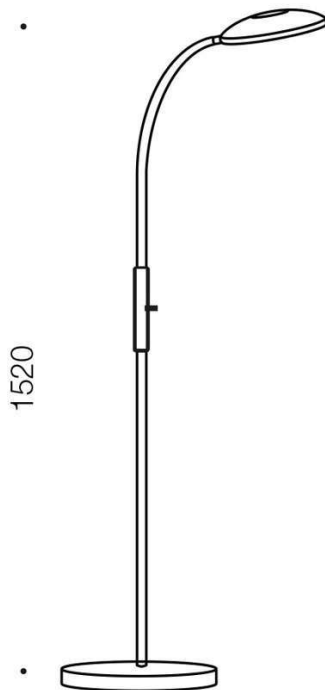
All representations within this document are subject to copyright. ELECTRICAL INSTALLATIONS MUST BE PERFORMED BY A QUALIFIED ELECTRICAL CONTRACTOR AND INSTALLED IN ACCORDANCE WITH AS/NZS 3000.
NOTE : All images , descriptions and dimensions are indicative. Please check latest version of item detail on Telbix website prior to ordering or installation.

IP rating	IP20
Lead and Plug	Yes
Approvals	RCM
Box Contents	Instruction
Care Instructions	Do not use strong liquid cleaners,Wipe clean with a dry cloth
Replacement Warranty	*3 Years

Barcode

GTIN 9329501032916

Image -dimensions





Last modification 2022-12-02

TYLER FL-BK 9329501032909



Overview

Family name	Tyler
Categories	Floor Lamps
Switch	Button switch on base
Usage	Indoor Lighting

Color / Material

Fixture Color	Black
Fixture Material	Metal
Base Color	Black
Base Material	Metal
Cable Color	Black
Cable Material	PVC

Size

Fixture Diameter (cm)	10.0
Fixture Height (cm)	150.0
Cable Length (cm)	Toogle Switch (Arm) +180

Specification

Voltage Input	240V
Wattage (max)	6
Globe Type	LED integrated SMD
Globe / Light Source qty	1
Globe / Light Source included	Yes
Lumens	420
Color Temperature	Warm White
Color Kelvin	3000k
Color Rendering	>80
Dimmable	No
Power Factor	>0.90
Current Output	500
Electrical Protection	CLASS II - DOUBLE INSULATED, EARTH NOT REQUIRED

All representations within this document are subject to copyright. ELECTRICAL INSTALLATIONS MUST BE PERFORMED BY A QUALIFIED ELECTRICAL CONTRACTOR AND INSTALLED IN ACCORDANCE WITH AS/NZS 3000.
NOTE : All images , descriptions and dimensions are indicative. Please check latest version of item detail on Telbix website prior to ordering or installation.

IP rating	IP20
Lead and Plug	Yes
Approvals	RCM
Box Contents	Instruction
Care Instructions	Do not use strong liquid cleaners,Wipe clean with a dry cloth
Replacement Warranty	*3 Years

Barcode

GTIN 9329501032909

Image -dimensions

