

Last modification 2022-11-24

SABRA PE45-ACCP
9329501052686



This dynamic design of the SABRA pendant reflects a sleek industrial style. The shade is handspun aluminum and finished in a burnished artisan patina. This pendant will provide a tasteful silhouette and a gorgeous indirect light source for any contemporary space. Available in 3 finishes.

Overview

Family name	Sabra
Categories	Pendants
Mounting	Surface
This item includes	Suspension
Suspension Type	Cable
Usage	Indoor Lighting

Color / Material

Fixture Color	Copper,Antique Copper
Fixture Material	Antique Copper
Cable Color	Black
Cable Material	PVC

Size

Fixture Diameter (cm)	45.0
Fixture Height (cm)	30.0

Specification

Voltage Input	240V
Wattage (max)	25
Globe Type	E27
Globe / Light Source qty	1
Globe / Light Source included	No
Electrical Protection	CLASS I - HIGH VOLTAGE, EARTH REQUIRED
IP rating	IP20
Approvals	RCM
Box Contents	Basic mounting screws,Instruction

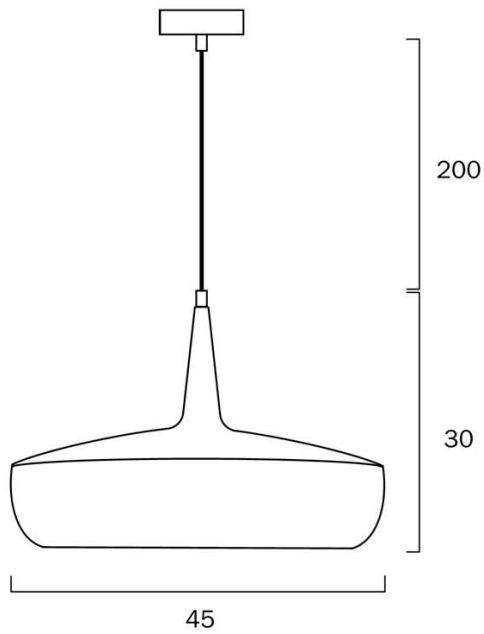
All representations within this document are subject to copyright. ELECTRICAL INSTALLATIONS MUST BE PERFORMED BY A QUALIFIED ELECTRICAL CONTRACTOR AND INSTALLED IN ACCORDANCE WITH AS/NZS 3000.
NOTE : All images , descriptions and dimensions are indicative. Please check latest version of item detail on Telbix website prior to ordering or installation.

Installation Required	Yes (by Licensed Electrician only)
Care Instructions	Do not use strong liquid cleaners,Wipe clean with a dry cloth
Replacement Warranty	*3 Years

Barcode

GTIN 9329501052686

Image -dimensions







Last modification 2022-11-24

SABRA PE45-NKSL
9329501052693



This dynamic design of the SABRA pendant reflects a sleek industrial style. The shade is handspun aluminum and finished in a burnished artisan patina. This pendant will provide a tasteful silhouette and a gorgeous indirect light source for any contemporary space. Available in 3 finishes.

Overview

Family name	Sabra
Categories	Pendants
Mounting	Surface
This item includes	Suspension
Suspension Type	Cable
Usage	Indoor Lighting

Color / Material

Fixture Color	Silver,Nickel
Fixture Material	Nickel
Cable Color	Black
Cable Material	PVC

Size

Fixture Diameter (cm)	45.0
Fixture Height (cm)	30.0

Specification

Voltage Input	240V
Wattage (max)	25
Globe Type	E27
Globe / Light Source qty	1
Globe / Light Source included	No
Electrical Protection	CLASS I - HIGH VOLTAGE, EARTH REQUIRED
IP rating	IP20
Approvals	RCM
Box Contents	Basic mounting screws,Instruction

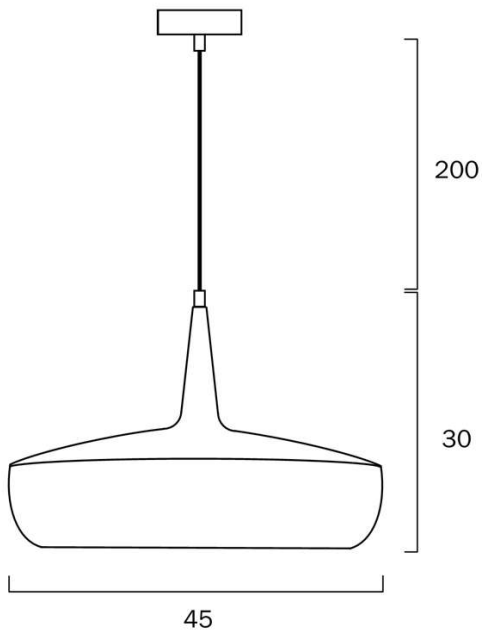
All representations within this document are subject to copyright. ELECTRICAL INSTALLATIONS MUST BE PERFORMED BY A QUALIFIED ELECTRICAL CONTRACTOR AND INSTALLED IN ACCORDANCE WITH AS/NZS 3000.
NOTE : All images , descriptions and dimensions are indicative. Please check latest version of item detail on Telbix website prior to ordering or installation.

Installation Required	Yes (by Licensed Electrician only)
Care Instructions	Do not use strong liquid cleaners,Wipe clean with a dry cloth
Replacement Warranty	*3 Years

Barcode

GTIN 9329501052693

Image -dimensions







Last modification 2022-11-24

SABRA PE45-BKGD 9329501052709



This dynamic design of the SABRA pendant reflects a sleek industrial style. The shade is handspun aluminum and finished in a burnished artisan patina. This pendant will provide a tasteful silhouette and a gorgeous indirect light source for any contemporary space. Available in 3 finishes.

Overview

Family name	Sabra
Categories	Pendants
Mounting	Surface
This item includes	Suspension
Suspension Type	Cable
Usage	Indoor Lighting

Color / Material

Fixture Color	Black,Gold
Fixture Material	Black
Cable Color	Black
Cable Material	PVC

Size

Fixture Diameter (cm)	45.0
Fixture Height (cm)	30.0

Specification

Voltage Input	240V
Wattage (max)	25
Globe Type	E27
Globe / Light Source qty	1
Globe / Light Source included	No
Electrical Protection	CLASS I - HIGH VOLTAGE, EARTH REQUIRED
IP rating	IP20
Approvals	RCM
Box Contents	Basic mounting screws,Instruction

All representations within this document are subject to copyright. ELECTRICAL INSTALLATIONS MUST BE PERFORMED BY A QUALIFIED ELECTRICAL CONTRACTOR AND INSTALLED IN ACCORDANCE WITH AS/NZS 3000.
NOTE : All images , descriptions and dimensions are indicative. Please check latest version of item detail on Telbix website prior to ordering or installation.

Installation Required	Yes (by Licensed Electrician only)
Care Instructions	Do not use strong liquid cleaners,Wipe clean with a dry cloth
Replacement Warranty	*3 Years

Barcode

GTIN 9329501052709

Image -dimensions

