

Last modification 2022-11-19

## PEROVA EX50-BRS 9329501056592



The PEROVA outdoor wall lamp is inspired by the best of minimalist design and is comfortable in any decor. This fixture is framed in solid brass with a tall cylinder. Add a vintage filament style bulb for an industrial look. It features a clear glass cylinder shade to add a rounded touch to this sleek mid-century inspired fixture. Available in 2 sizes as either natural brass or Black.

### Overview

<b>Family name</b>	Perova
<b>Categories</b>	Wall Lights
<b>Mounting</b>	Surface
<b>This item includes</b>	Glass
<b>Usage</b>	Outdoor Lighting,Trade Selection

### Color / Material

<b>Fixture Color</b>	Brass
<b>Fixture Material</b>	Glass,Solid Brass
<b>Canopy Color</b>	Brass
<b>Glass Color</b>	Clear

### Size

<b>Fixture Diameter (cm)</b>	15.5
<b>Fixture Height (cm)</b>	50.0
<b>Fixture Projection (cm)</b>	19.2

### Specification

<b>Voltage Input</b>	240V
<b>Wattage (max)</b>	25
<b>Globe Type</b>	E27
<b>Globe / Light Source qty</b>	1
<b>Globe / Light Source included</b>	No
<b>Electrical Protection</b>	CLASS I - HIGH VOLTAGE, EARTH REQUIRED
<b>IP rating</b>	IP43
<b>Approvals</b>	RCM
<b>Box Contents</b>	Basic mounting screws,Instruction

All representations within this document are subject to copyright.ELECTRICAL INSTALLATIONS MUST BE PERFORMED BY A QUALIFIED ELECTRICAL CONTRACTOR AND INSTALLED IN ACCORDANCE WITH AS/NZS 3000.  
NOTE : All images , descriptions and dimensions are indicative. Please check latest version of item detail on Telbix website prior to ordering or installation.

**Installation Required**

Yes (by Licensed Electrician only)

**Care Instructions**

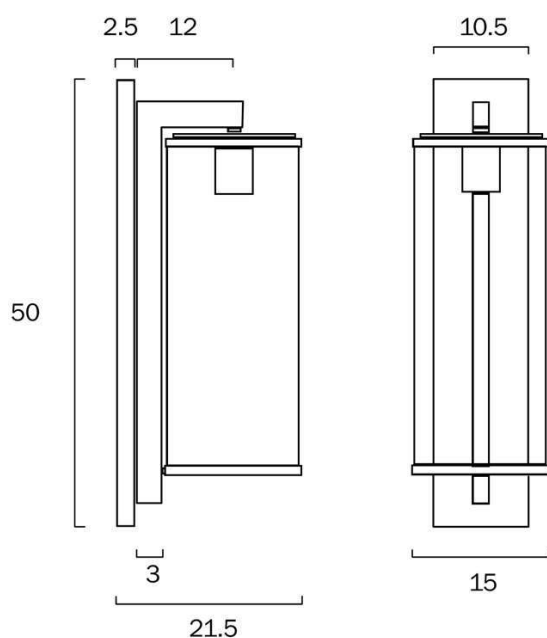
Aluminium, Brass and Stainless Steel will naturally oxidised and change overtime. Exterior products require regular four (4) monthly cleaning and maintenance to ensure they do not accumulate dirt or other environmental deposits. Wipe the product with a mild detergent and warm water to remove surface deposits. Rinse with fresh water and wipe dry with a soft cloth. An extra temporary protection barrier of water displacement oil can help to maintain the surface, such as WD40, sprayed onto a soft cloth and rubbed onto the surface.

**Replacement Warranty**

\*3 Years

Barcode**GTIN**

9329501056592

Image -dimensions



Last modification 2022-11-19

## PEROVA EX50-BK 9329501056585



The PEROVA outdoor wall lamp is inspired by the best of minimalist design and is comfortable in any decor. This fixture is framed in solid brass with a tall cylinder. Add a vintage filament style bulb for an industrial look. It features a clear glass cylinder shade to add a rounded touch to this sleek mid-century inspired fixture. Available in 2 sizes as either natural brass or Black.

### Overview

<b>Family name</b>	Perova
<b>Categories</b>	Wall Lights
<b>Mounting</b>	Surface
<b>This item includes</b>	Glass
<b>Usage</b>	Outdoor Lighting,Trade Selection

### Color / Material

<b>Fixture Color</b>	Black
<b>Fixture Material</b>	Glass,Solid Brass
<b>Canopy Color</b>	Black
<b>Glass Color</b>	Clear

### Size

<b>Fixture Diameter (cm)</b>	15.5
<b>Fixture Height (cm)</b>	50.0
<b>Fixture Projection (cm)</b>	19.2

### Specification

<b>Voltage Input</b>	240V
<b>Wattage (max)</b>	25
<b>Globe Type</b>	E27
<b>Globe / Light Source qty</b>	1
<b>Globe / Light Source included</b>	No
<b>Electrical Protection</b>	CLASS I - HIGH VOLTAGE, EARTH REQUIRED
<b>IP rating</b>	IP43
<b>Approvals</b>	RCM
<b>Box Contents</b>	Basic mounting screws,Instruction

All representations within this document are subject to copyright.ELECTRICAL INSTALLATIONS MUST BE PERFORMED BY A QUALIFIED ELECTRICAL CONTRACTOR AND INSTALLED IN ACCORDANCE WITH AS/NZS 3000.  
NOTE : All images , descriptions and dimensions are indicative. Please check latest version of item detail on Telbix website prior to ordering or installation.

**Installation Required**

Yes (by Licensed Electrician only)

**Care Instructions**

Aluminium, Brass and Stainless Steel will naturally oxidised and change overtime. Exterior products require regular four (4) monthly cleaning and maintenance to ensure they do not accumulate dirt or other environmental deposits. Wipe the product with a mild detergent and warm water to remove surface deposits. Rinse with fresh water and wipe dry with a soft cloth. An extra temporary protection barrier of water displacement oil can help to maintain the surface, such as WD40, sprayed onto a soft cloth and rubbed onto the surface.

**Replacement Warranty**

\*3 Years

Barcode**GTIN**

9329501056585

Image -dimensions