

Last modification 2022-11-10

**NARA CTC-WH.3CCT**  
**9329501056134**



## Overview

<b>Family name</b>	Nara
<b>Categories</b>	Downlights
<b>Mounting</b>	Surface
<b>Switch</b>	Side Switch
<b>Usage</b>	Trade Selection,Indoor Lighting

## Color / Material

<b>Fixture Color</b>	White
<b>Fixture Material</b>	Aluminium
<b>Diffuser Color</b>	Frost
<b>Diffuser Material</b>	Polycarbonate

## Size

<b>Fixture Diameter (cm)</b>	16.0
<b>Fixture Height (cm)</b>	5.5

## Specification

<b>Voltage Input</b>	240V
<b>Wattage (max)</b>	18
<b>Globe Type</b>	LED integrated SMD
<b>Globe / Light Source qty</b>	1
<b>Globe / Light Source included</b>	Yes
<b>Lumens</b>	1350
<b>Color Temperature</b>	Warm White; Natural White; Cool White
<b>Color Kelvin</b>	3 CCT (3000k - 4000k - 5000k)
<b>Color Rendering</b>	>85
<b>Dimmable</b>	Yes
<b>IP rating</b>	IP20
<b>Approvals</b>	RCM
<b>Box Contents</b>	Basic mounting screws,Instruction
<b>Installation Required</b>	Yes (by Licensed Electrician only)
<b>Care Instructions</b>	Do not use strong liquid cleaners,Wipe clean with a dry cloth

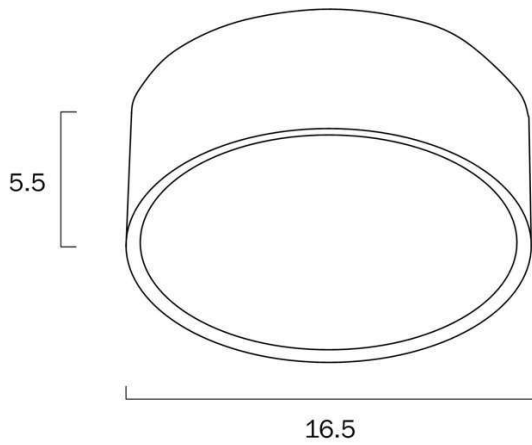
All representations within this document are subject to copyright.ELECTRICAL INSTALLATIONS MUST BE PERFORMED BY A QUALIFIED ELECTRICAL CONTRACTOR AND INSTALLED IN ACCORDANCE WITH AS/NZS 3000.  
NOTE : All images , descriptions and dimensions are indicative. Please check latest version of item detail on Telbix website prior to ordering or installation.

**Replacement Warranty** \*3 Years

Barcode

**GTIN** 9329501056134

Image -dimensions





Last modification 2022-11-10

**NARA CTC-BK.3CCT**  
**9329501056141**



## Overview

<b>Family name</b>	Nara
<b>Categories</b>	Downlights
<b>Mounting</b>	Surface
<b>Switch</b>	Side Switch
<b>Usage</b>	Trade Selection,Indoor Lighting

## Color / Material

<b>Fixture Color</b>	Black
<b>Fixture Material</b>	Aluminium
<b>Diffuser Color</b>	Frost
<b>Diffuser Material</b>	Polycarbonate

## Size

<b>Fixture Diameter (cm)</b>	16.0
<b>Fixture Height (cm)</b>	5.5

## Specification

<b>Voltage Input</b>	240V
<b>Wattage (max)</b>	18
<b>Globe Type</b>	LED integrated SMD
<b>Globe / Light Source qty</b>	1
<b>Globe / Light Source included</b>	Yes
<b>Lumens</b>	1350
<b>Color Temperature</b>	Warm White; Natural White; Cool White
<b>Color Kelvin</b>	3 CCT (3000k - 4000k - 5000k)
<b>Color Rendering</b>	>85
<b>Dimmable</b>	Yes
<b>IP rating</b>	IP20
<b>Approvals</b>	RCM
<b>Assembly Required</b>	No
<b>Box Contents</b>	Basic mounting screws,Instruction
<b>Installation Required</b>	Yes (by Licensed Electrician only)

All representations within this document are subject to copyright.ELECTRICAL INSTALLATIONS MUST BE PERFORMED BY A QUALIFIED ELECTRICAL CONTRACTOR AND INSTALLED IN ACCORDANCE WITH AS/NZS 3000.  
NOTE : All images , descriptions and dimensions are indicative. Please check latest version of item detail on Telbix website prior to ordering or installation.

**Care Instructions**

Do not use strong liquid cleaners,Wipe clean with a dry cloth

**Replacement Warranty**

\*3 Years

Barcode

**GTIN**

9329501056141

Image -dimensions

