

Last modification 2022-11-10

MORAN PE14-BKOP 9329501062241



The MORAN pendant will add elegance and style to your living space. This linear suspension is simple and striking, with just right mix of mouth blown glass globes positioned around the central body. Available as an extra long horizontal 14 light or a vertical 3 light pendant. 3 color combinations.

Overview

Family name	Moran
Categories	Pendants
Mounting	Surface
This item includes	Glass,Suspension
Shade Shape	Round
Suspension Type	Rod (1x300)+(2x600)
Usage	Indoor Lighting

Color / Material

Fixture Color	Black,Opal
Fixture Material	Metal,Glass
Canopy Color	Black
Shade Material	Glass
Glass Color	Opal Matt

Size

Fixture Length (cm)	150.0
Fixture Width (cm)	24.5
Fixture Height (cm)	24.5
Canopy Length (cm)	65.0
Canopy Projection (cm)	2.5
Canopy Width (cm)	12.0
Shade Diameter (cm)	10.0

Specification

Voltage Input	240V
Wattage (max)	84

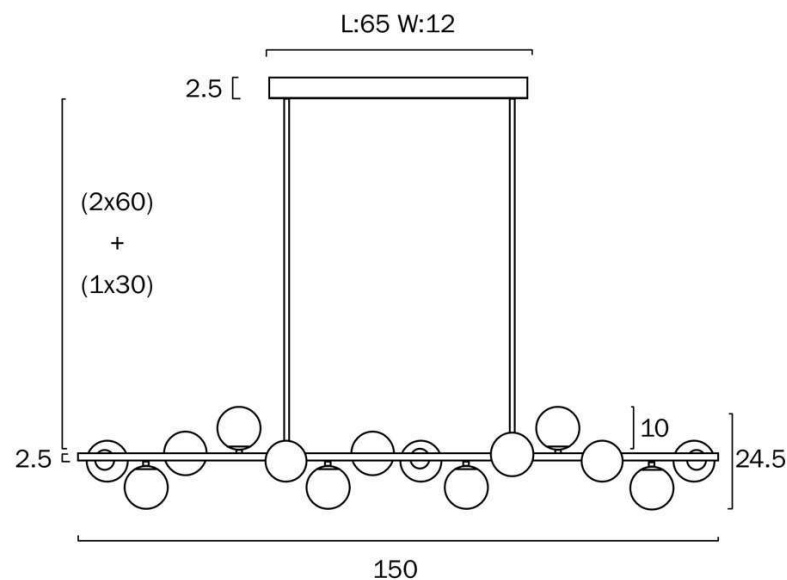
All representations within this document are subject to copyright.ELECTRICAL INSTALLATIONS MUST BE PERFORMED BY A QUALIFIED ELECTRICAL CONTRACTOR AND INSTALLED IN ACCORDANCE WITH AS/NZS 3000.
NOTE : All images , descriptions and dimensions are indicative. Please check latest version of item detail on Telbix website prior to ordering or installation.

Wattage	6
Globe Type	G9
Globe / Light Source qty	14
Globe / Light Source included	No
Dimmable	Globe Dependant
Electrical Protection	CLASS I - HIGH VOLTAGE, EARTH REQUIRED
IP rating	IP20
Approvals	RCM
Assembly Required	Yes
Box Contents	Basic mounting screws,Instruction
Installation Required	Yes (by Licensed Electrician only)
Care Instructions	Do not use strong liquid cleaners,Wipe clean with a dry cloth
Replacement Warranty	*3 Years

Barcode

GTIN 9329501062241

Image -dimensions



Note: Dimensions are only a guide and may vary due to manufacturing variations.





Last modification 2022-11-10

MORAN PE14-AGOP 9329501060414



The MORAN pendant will add elegance and style to your living space. This linear suspension is simple and striking, with just right mix of mouth blown glass globes positioned around the central body. Available as an extra long horizontal 14 light or a vertical 3 light pendant. 3 color combinations.

Overview

Family name	Moran
Categories	Pendants
Mounting	Surface
This item includes	Glass,Suspension
Shade Shape	Round
Suspension Type	Rod (1x300)+(2x600)
Usage	Indoor Lighting

Color / Material

Fixture Color	Antique Gold,Opal Matt
Fixture Material	Metal,Glass
Canopy Color	Antique Gold
Shade Color	Opal Matt
Shade Material	Glass
Glass Color	Opal Matt

Size

Fixture Length (cm)	150.0
Fixture Width (cm)	24.5
Fixture Height (cm)	24.5
Canopy Length (cm)	65.0
Canopy Projection (cm)	2.5
Canopy Width (cm)	12.0
Shade Diameter (cm)	10.0

Specification

Voltage Input	240V
----------------------	------

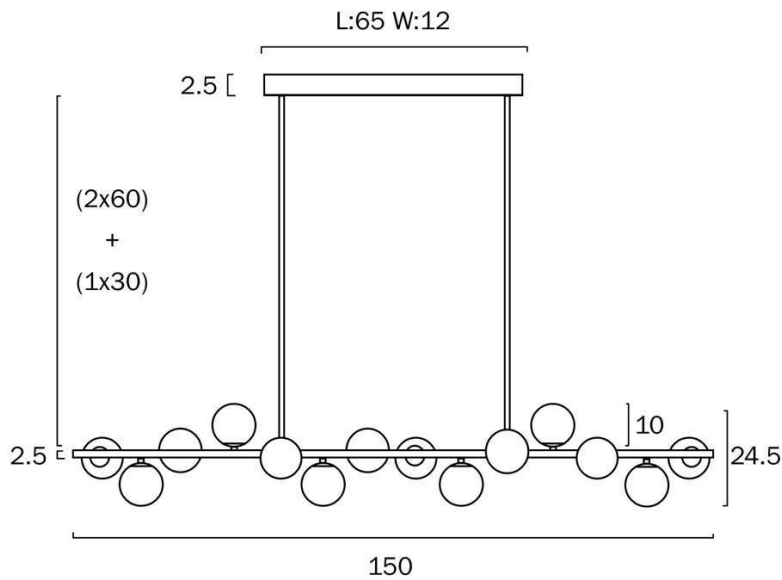
All representations within this document are subject to copyright.ELECTRICAL INSTALLATIONS MUST BE PERFORMED BY A QUALIFIED ELECTRICAL CONTRACTOR AND INSTALLED IN ACCORDANCE WITH AS/NZS 3000.
NOTE : All images , descriptions and dimensions are indicative. Please check latest version of item detail on Telbix website prior to ordering or installation.

Wattage (max)	84
Wattage	6
Globe Type	G9
Globe / Light Source qty	14
Globe / Light Source included	No
Dimmable	Globe Dependant
Electrical Protection	CLASS I - HIGH VOLTAGE, EARTH REQUIRED
IP rating	IP20
Approvals	RCM
Assembly Required	Yes
Box Contents	Basic mounting screws,Instruction
Installation Required	Yes (by Licensed Electrician only)
Care Instructions	Do not use strong liquid cleaners,Wipe clean with a dry cloth
Replacement Warranty	*3 Years

Barcode

GTIN 9329501060414

Image -dimensions



Note: Dimensions are only a guide and may vary due to manufacturing variations.





Last modification 2022-11-10

MORAN PE14-BKSM 9329501060421



The MORAN pendant will add elegance and style to your living space. This linear suspension is simple and striking, with just right mix of mouth blown glass globes positioned around the central body. Available as an extra long horizontal 14 light or a vertical 3 light pendant. 3 color combinations.

Overview

Family name	Moran
Categories	Pendants
Mounting	Surface
This item includes	Glass,Suspension
Shade Shape	Round
Suspension Type	Rod (1x300)+(2x600)
Usage	Indoor Lighting

Color / Material

Fixture Color	Black,Smoke
Fixture Material	Metal,Glass
Shade Color	Smoke
Shade Material	Glass
Glass Color	Smoke

Size

Fixture Diameter (cm)	24.5
Fixture Length (cm)	150.0
Fixture Width (cm)	24.5
Canopy Length (cm)	65.0
Canopy Projection (cm)	2.5
Canopy Width (cm)	12.0
Shade Diameter (cm)	10.0

Specification

Voltage Input	240V
Wattage (max)	84

Data Sheet

Telbix.

Wattage	6
Globe Type	G9
Globe / Light Source qty	14
Globe / Light Source included	No
Dimmable	Globe Dependant
Electrical Protection	CLASS I - HIGH VOLTAGE, EARTH REQUIRED
IP rating	IP20
Approvals	RCM
Assembly Required	Yes
Box Contents	Basic mounting screws,Instruction
Installation Required	Yes (by Licensed Electrician only)
Care Instructions	Do not use strong liquid cleaners,Wipe clean with a dry cloth
Replacement Warranty	*3 Years

Barcode

GTIN 9329501060421



