

# AllLux2

HEAT FAN LIGHT 3 IN 1 – WHITE, SILVER & BLACK



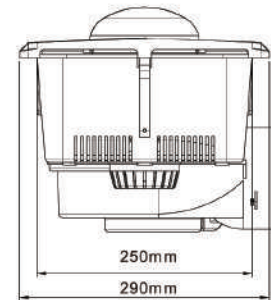
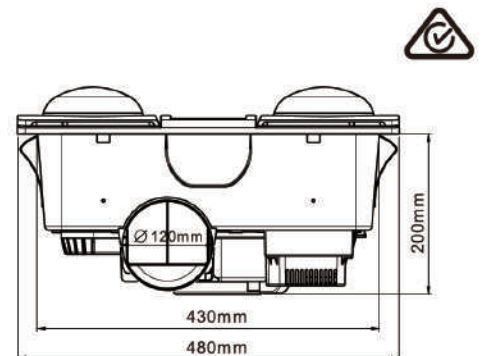
## FEATURES

- Slim modern design
- Powerful ball bearing motor, high air extraction
- 12W switchable tricolor LED panel light
- Quiet operation
- Internal thermal safety switch
- Side ducting with draft stopper



## SPECIFICATION

<b>Model</b>	MBHA2WH, MBHA2S
<b>Voltage</b>	230 - 240V 50Hz
<b>Motor</b>	40W ball bearing
<b>AirFlow</b>	≤460 m³/h
<b>Noise</b>	≤45dB
<b>LED Light</b>	12W Tricolour panel light
<b>Grille Size</b>	480 x 290mm
<b>Cut Out Size</b>	435 x 255mm
<b>Duct</b>	Ø150mm



self closing back shutter

## INCLUDES

• 2 x 275w infrared instant heat lamps	• 3 x duct clips
• 1 x 3 gangs wall switch	• 1 x duct adapter
• 1 x 3m aluminum ducting	• 1 x external grille



To select the colour temperature: switch on and off within 5 second, colour will change between 3000k, 4000k and 5000k. To memorize the colour: switch off for more than 5 second, it will keep the last time colour temperature.