

Last modification 2022-11-06

**MDL-16D-83SUN**  
**9329501049594**



MODULE 16 G2 SUNSET 12watt DIMMABLE with LEAD&PLUG 3000K~2200k 880Lm Ra>84

## Overview

<b>Family name</b>	Module
<b>Categories</b>	Downlights
<b>Mounting</b>	Recess
<b>Usage</b>	Indoor Lighting,Trade Selection

## Color / Material

<b>Fixture Color</b>	Black
<b>Fixture Material</b>	Aluminium
<b>Diffuser Material</b>	Plastic
<b>Diffuser Color</b>	Clear
<b>Cable Color</b>	Black
<b>Cable Material</b>	PVC

## Size

<b>Fixture Diameter (cm)</b>	5.0
<b>Fixture Height (cm)</b>	7.5

## Specification

<b>Voltage Input</b>	240V
<b>Wattage (max)</b>	12
<b>Globe Type</b>	LED integrated SMD
<b>Globe / Light Source qty</b>	1
<b>Globe / Light Source included</b>	Yes
<b>Lumens</b>	880
<b>Color Temperature</b>	Warm White; Warm White Amber
<b>Color Kelvin</b>	3000k ~ SUNSET
<b>Color Rendering</b>	>84
<b>Dimmable</b>	Yes
<b>Power Factor</b>	>0.95

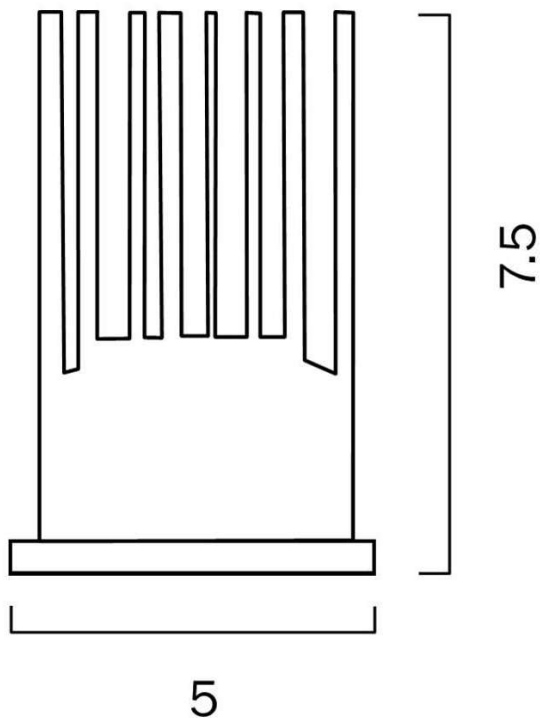
All representations within this document are subject to copyright. ELECTRICAL INSTALLATIONS MUST BE PERFORMED BY A QUALIFIED ELECTRICAL CONTRACTOR AND INSTALLED IN ACCORDANCE WITH AS/NZS 3000.  
NOTE : All images , descriptions and dimensions are indicative. Please check latest version of item detail on Telbix website prior to ordering or installation.

<b>Surge Protection</b>	Yes
<b>Control Gear Included</b>	Yes-inline
<b>Current Output</b>	250
<b>Insulation class</b>	IC-4
<b>IP rating</b>	IP44
<b>Lead and Plug</b>	Yes
<b>Approvals</b>	RCM
<b>Assembly Required</b>	No
<b>Box Contents</b>	Instruction
<b>Installation Required</b>	Yes (by Licensed Electrician only)
<b>Care Instructions</b>	Do not use strong liquid cleaners,Wipe clean with a dry cloth
<b>Replacement Warranty</b>	*5 Years

Barcode

**GTIN** 9329501049594

Image -dimensions





Last modification 2022-11-06

**MDL-16D-840G2**  
**9329501049587**



MODULE 16 G2 w/TWIST-ON SYSTEM 12watt DIMMABLE with LEAD&PLUG 4000K 900Lm Ra>84

## Overview

<b>Family name</b>	Module
<b>Categories</b>	Downlights
<b>Mounting</b>	Recess
<b>Usage</b>	Indoor Lighting,Trade Selection

## Color / Material

<b>Fixture Color</b>	Black
<b>Fixture Material</b>	Aluminium
<b>Cable Color</b>	Black
<b>Cable Material</b>	PVC

## Size

<b>Fixture Diameter (cm)</b>	5.0
<b>Fixture Height (cm)</b>	7.5

## Specification

<b>Voltage Input</b>	240V
<b>Wattage (max)</b>	12
<b>Globe Type</b>	LED integrated COB
<b>Globe / Light Source qty</b>	1
<b>Globe / Light Source included</b>	Yes
<b>Lumens</b>	900
<b>Color Temperature</b>	Natural White
<b>Color Kelvin</b>	4000k
<b>Color Rendering</b>	>84
<b>Dimmable</b>	Yes
<b>Power Factor</b>	>0.95
<b>Surge Protection</b>	Yes
<b>Current Output</b>	250

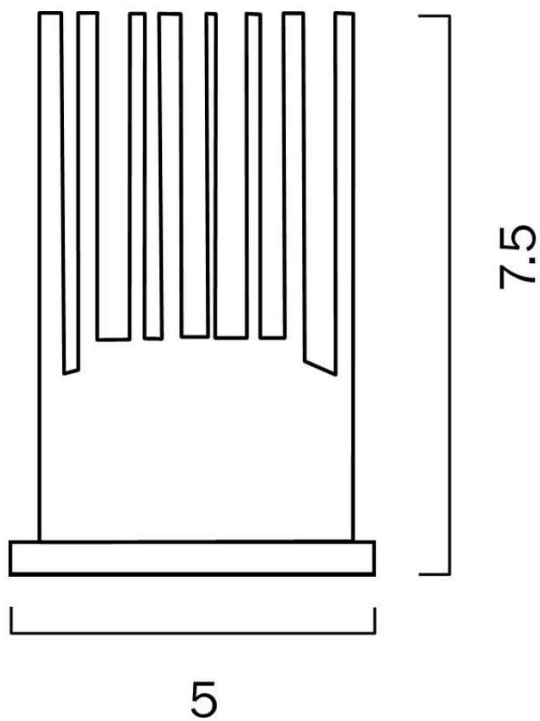
All representations within this document are subject to copyright. ELECTRICAL INSTALLATIONS MUST BE PERFORMED BY A QUALIFIED ELECTRICAL CONTRACTOR AND INSTALLED IN ACCORDANCE WITH AS/NZS 3000.  
NOTE : All images , descriptions and dimensions are indicative. Please check latest version of item detail on Telbix website prior to ordering or installation.

<b>Insulation class</b>	IC-4
<b>IP rating</b>	IP44
<b>Lead and Plug</b>	Yes
<b>Approvals</b>	RCM
<b>Box Contents</b>	Instruction
<b>Installation Required</b>	Yes (by Licensed Electrician only)
<b>Care Instructions</b>	Do not use strong liquid cleaners,Wipe clean with a dry cloth
<b>Replacement Warranty</b>	*5 Years

Barcode

**GTIN** 9329501049587

Image -dimensions



Last modification 2022-11-06

**MDL-16D-850**  
**9329501038260**



MODULE 16 with TWIST-ON SYSTEM 12watt DIMMABLE with LEAD&PLUG 5000K - 880Lm

## Overview

<b>Family name</b>	Module
<b>Categories</b>	Downlights
<b>Mounting</b>	Recess
<b>Usage</b>	Indoor Lighting,Trade Selection

## Color / Material

<b>Fixture Color</b>	Black
<b>Fixture Material</b>	Aluminium
<b>Cable Color</b>	Black
<b>Cable Material</b>	PVC

## Size

<b>Fixture Diameter (cm)</b>	5.0
<b>Fixture Height (cm)</b>	7.5

## Specification

<b>Voltage Input</b>	240V
<b>Wattage (max)</b>	12
<b>Globe Type</b>	LED integrated COB
<b>Globe / Light Source qty</b>	1
<b>Globe / Light Source included</b>	Yes
<b>Lumens</b>	880
<b>Color Temperature</b>	Cool White
<b>Color Kelvin</b>	5000k
<b>Color Rendering</b>	>84
<b>Dimmable</b>	Yes
<b>Power Factor</b>	>0.95
<b>Surge Protection</b>	Yes
<b>Current Output</b>	250

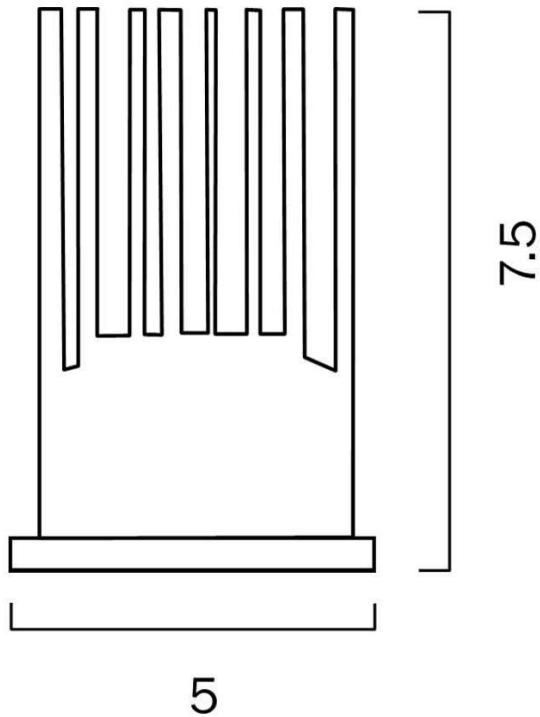
All representations within this document are subject to copyright. ELECTRICAL INSTALLATIONS MUST BE PERFORMED BY A QUALIFIED ELECTRICAL CONTRACTOR AND INSTALLED IN ACCORDANCE WITH AS/NZS 3000.  
NOTE : All images , descriptions and dimensions are indicative. Please check latest version of item detail on Telbix website prior to ordering or installation.

<b>Insulation class</b>	IC-4
<b>IP rating</b>	IP44
<b>Lead and Plug</b>	Yes
<b>Approvals</b>	RCM
<b>Box Contents</b>	Instruction
<b>Installation Required</b>	Yes (by Licensed Electrician only)
<b>Care Instructions</b>	Do not use strong liquid cleaners,Wipe clean with a dry cloth
<b>Replacement Warranty</b>	*5 Years

Barcode

GTIN 9329501038260

Image -dimensions



Last modification 2022-11-06

**MDL-16D-927G2**  
**9329501052501**



MODULE 16 G2 w/TWIST-ON SYSTEM 12watt DIMMABLE with LEAD&PLUG 2700K 880Lm Ra>92

## Overview

<b>Family name</b>	Module
<b>Categories</b>	Downlights
<b>Mounting</b>	Recess
<b>Usage</b>	Indoor Lighting,Trade Selection

## Color / Material

<b>Fixture Color</b>	Black
<b>Fixture Material</b>	Aluminium
<b>Cable Color</b>	Black
<b>Cable Material</b>	PVC

## Size

<b>Fixture Diameter (cm)</b>	5.0
<b>Fixture Height (cm)</b>	7.5

## Specification

<b>Voltage Input</b>	240V
<b>Wattage (max)</b>	12
<b>Globe Type</b>	LED integrated COB
<b>Globe / Light Source qty</b>	1
<b>Globe / Light Source included</b>	Yes
<b>Lumens</b>	880
<b>Color Temperature</b>	Warm White
<b>Color Kelvin</b>	2700k
<b>Color Rendering</b>	>92
<b>Dimmable</b>	Yes
<b>Power Factor</b>	>0.95
<b>Surge Protection</b>	Yes
<b>Current Output</b>	250

All representations within this document are subject to copyright. ELECTRICAL INSTALLATIONS MUST BE PERFORMED BY A QUALIFIED ELECTRICAL CONTRACTOR AND INSTALLED IN ACCORDANCE WITH AS/NZS 3000.  
NOTE : All images , descriptions and dimensions are indicative. Please check latest version of item detail on Telbix website prior to ordering or installation.



<b>Insulation class</b>	IC-4
<b>IP rating</b>	IP44
<b>Lead and Plug</b>	Yes
<b>Approvals</b>	RCM
<b>Box Contents</b>	Instruction
<b>Installation Required</b>	Yes (by Licensed Electrician only)
<b>Care Instructions</b>	Do not use strong liquid cleaners,Wipe clean with a dry cloth
<b>Replacement Warranty</b>	*5 Years

Barcode

**GTIN** 9329501052501

Last modification 2022-11-06

**MDL-16D-930G2**  
**9329501044704**



MODULE 16 G2 w/TWIST-ON SYSTEM 12watt DIMMABLE with LEAD&PLUG 3000K 880Lm Ra>92

## Overview

<b>Family name</b>	Module
<b>Categories</b>	Downlights
<b>Mounting</b>	Recess
<b>This item includes</b>	Driver
<b>Usage</b>	Indoor Lighting,Trade Selection

## Color / Material

<b>Fixture Color</b>	Black
<b>Fixture Material</b>	Aluminium
<b>Cable Color</b>	Black
<b>Cable Material</b>	PVC

## Size

<b>Fixture Diameter (cm)</b>	5.0
<b>Fixture Height (cm)</b>	7.5

## Specification

<b>Voltage Input</b>	240V
<b>Wattage (max)</b>	12
<b>Globe Type</b>	LED integrated COB
<b>Globe / Light Source qty</b>	1
<b>Globe / Light Source included</b>	Yes
<b>Lumens</b>	880
<b>Color Temperature</b>	Warm White
<b>Color Kelvin</b>	3000k
<b>Color Rendering</b>	>92
<b>Dimmable</b>	Yes
<b>Power Factor</b>	>0.95
<b>Surge Protection</b>	Yes

All representations within this document are subject to copyright. ELECTRICAL INSTALLATIONS MUST BE PERFORMED BY A QUALIFIED ELECTRICAL CONTRACTOR AND INSTALLED IN ACCORDANCE WITH AS/NZS 3000.  
NOTE : All images , descriptions and dimensions are indicative. Please check latest version of item detail on Telbix website prior to ordering or installation.

<b>Beam Angle (degree)</b>	38
<b>Current Output</b>	250
<b>Insulation class</b>	IC-4
<b>IP rating</b>	IP44
<b>Lead and Plug</b>	Yes
<b>Approvals</b>	RCM
<b>Box Contents</b>	Instruction
<b>Installation Required</b>	Yes (by Licensed Electrician only)
<b>Care Instructions</b>	Do not use strong liquid cleaners,Wipe clean with a dry cloth
<b>Replacement Warranty</b>	*5 Years

Barcode

GTIN 9329501044704

Image -dimensions

