

Last modification 2022-11-03

MARKET PE31-BK 9329501054680



Overview

Family name	Market
Categories	Pendants
Mounting	Surface
This item includes	Suspension
Shade Shape	Bell
Suspension Type	Chain
Usage	Indoor Lighting

Color / Material

Fixture Color	Black
Fixture Material	Metal
Canopy Color	Black
Shade Material	Metal

Size

Fixture Diameter (cm)	31.0
Fixture Height (cm)	40.0
Canopy Diameter (cm)	10.0
Canopy Projection (cm)	2.5
Shade Top (cm)	10.0
Shade Bottom (cm)	31.0
Shade Height (cm)	23.0

Specification

Voltage Input	240V
Wattage (max)	40
Globe Type	E27
Globe / Light Source qty	1
Globe / Light Source included	No
Dimmable	No
Electrical Protection	CLASS I - HIGH VOLTAGE, EARTH REQUIRED
IP rating	IP20

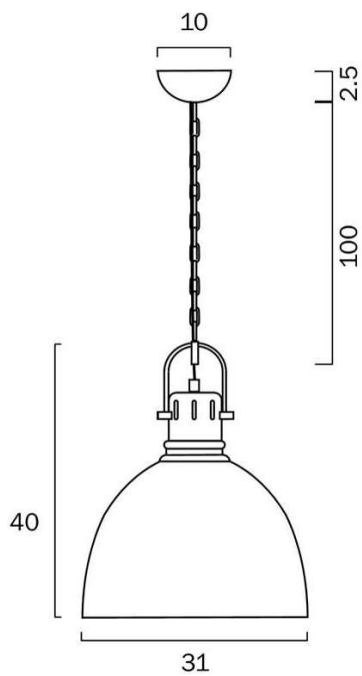
All representations within this document are subject to copyright. ELECTRICAL INSTALLATIONS MUST BE PERFORMED BY A QUALIFIED ELECTRICAL CONTRACTOR AND INSTALLED IN ACCORDANCE WITH AS/NZS 3000.
NOTE : All images , descriptions and dimensions are indicative. Please check latest version of item detail on Telbix website prior to ordering or installation.

Approvals	RCM
Assembly Required	Yes
Box Contents	Basic mounting screws, Instruction
Installation Required	Yes (by Licensed Electrician only)
Care Instructions	Do not use strong liquid cleaners, Wipe clean with a dry cloth
Replacement Warranty	*3 Years

Barcode

GTIN 9329501054680

Image -dimensions







Last modification 2022-11-03

MARKET PE31-CP
9329501037843



Overview

Family name	Market
Categories	Pendants
Mounting	Surface
This item includes	Suspension
Shade Shape	Bell
Suspension Type	Chain
Usage	Indoor Lighting

Color / Material

Fixture Color	Copper
Fixture Material	Metal
Canopy Color	Copper
Shade Material	Metal

Size

Fixture Diameter (cm)	31.0
Fixture Height (cm)	40.0
Canopy Diameter (cm)	10.0
Canopy Projection (cm)	2.5
Shade Top (cm)	10.0
Shade Bottom (cm)	31.0
Shade Height (cm)	23.0

Specification

Voltage Input	240V
Wattage (max)	40
Globe Type	E27
Globe / Light Source qty	1
Globe / Light Source included	No
Dimmable	No
Electrical Protection	CLASS I - HIGH VOLTAGE, EARTH REQUIRED
IP rating	IP20

All representations within this document are subject to copyright. ELECTRICAL INSTALLATIONS MUST BE PERFORMED BY A QUALIFIED ELECTRICAL CONTRACTOR AND INSTALLED IN ACCORDANCE WITH AS/NZS 3000.
NOTE : All images , descriptions and dimensions are indicative. Please check latest version of item detail on Telbix website prior to ordering or installation.

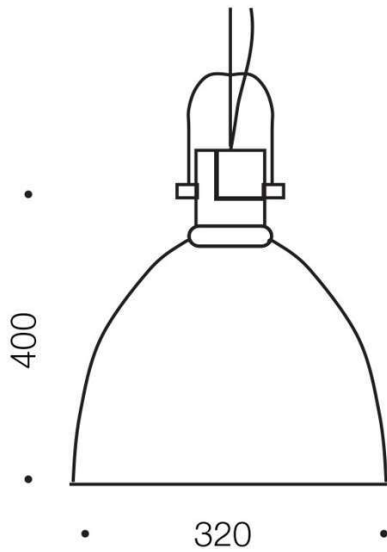
Approvals	RCM
Assembly Required	Yes
Box Contents	Basic mounting screws, Instruction
Installation Required	Yes (by Licensed Electrician only)
Care Instructions	Do not use strong liquid cleaners, Wipe clean with a dry cloth
Replacement Warranty	*3 Years

Barcode

GTIN 9329501037843

Image -dimensions

Cable Length: 1.0







Last modification 2022-11-03

MARKET PE31-CH 9329501037836



Overview

Family name	Market
Categories	Pendants
Mounting	Surface
This item includes	Suspension
Shade Shape	Bell
Suspension Type	Chain
Usage	Indoor Lighting

Color / Material

Fixture Color	Chrome
Fixture Material	Metal
Canopy Color	Chrome
Shade Material	Metal

Size

Fixture Diameter (cm)	31.0
Fixture Height (cm)	40.0
Canopy Diameter (cm)	10.0
Canopy Projection (cm)	2.5
Shade Top (cm)	10.0
Shade Bottom (cm)	31.0
Shade Height (cm)	23.0

Specification

Voltage Input	240V
Wattage (max)	40
Globe Type	E27
Globe / Light Source qty	1
Globe / Light Source included	No
Dimmable	No
Electrical Protection	CLASS I - HIGH VOLTAGE, EARTH REQUIRED
IP rating	IP20

All representations within this document are subject to copyright. ELECTRICAL INSTALLATIONS MUST BE PERFORMED BY A QUALIFIED ELECTRICAL CONTRACTOR AND INSTALLED IN ACCORDANCE WITH AS/NZS 3000.
NOTE : All images , descriptions and dimensions are indicative. Please check latest version of item detail on Telbix website prior to ordering or installation.

Approvals	RCM
Assembly Required	Yes
Box Contents	Basic mounting screws, Instruction
Installation Required	Yes (by Licensed Electrician only)
Care Instructions	Do not use strong liquid cleaners, Wipe clean with a dry cloth
Replacement Warranty	*3 Years

Barcode

GTIN 9329501037836

Image -dimensions

