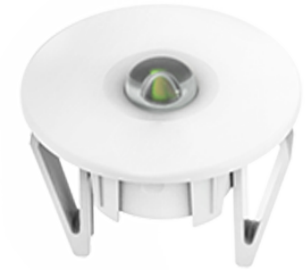


LED FIRE INBUILT

Ledfire Pro OEM Kit D32



MECHANICAL

Body Material	Polycarbonate
Fitting Colour	White
Installation Type	Recessed
IP Rating	IP20

ELECTRICAL

Electrical Rating (Class)	2
Input Frequency (Hz)	50
Input voltage	230Vac

In Australia the Input voltage is defined as 230Vac -6%/+10%. This effectively means that the voltage range of these products are 216Vac - 253Vac or 240V +6%

Maximum Wattage (W)	2
Working Temp Range (C)	0 to 40

LAMP

CCT Configuration	Single
CRI	>70
Lamp/LED Current (mA)	130
Lamp/LED voltage (V)	9

COLOUR TEMPERATURE

CCT (K)	6700K
---------	-------

DRIVER

Driver Included	Yes
Integrated Driver	No
Driver Mode	Constant Power
Driver Type	DALI DT1 Emergency
Wiring Type	Re-wireable terminal block (5 pin)

EMERGENCY (EM SUFFIX)

Replacement Battery Code	01302
Emergency Classification	C0:D32
Emergency Duration (mins)	120
Emergency Lumen Output (Lm)	208
Emergency Mode	Non-Maintained
Emergency Output Power (mW)	1200

COMPLIANCE

Design Life (hr) 100000

WARRANTY

Commercial Use Warranty 5 RTB (Total 5 Years)

DIMENSIONS

Cutout (mm) 44

Product Diameter(mm) 56

Product Height (mm) 48

ORDERING INFORMATION

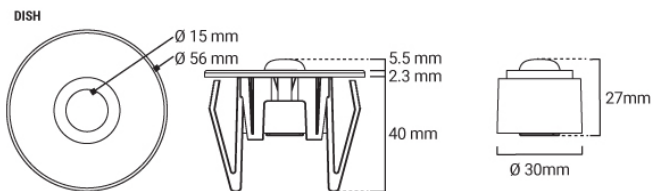
Order code 17570

Description EV-LED FIRE-OEM-PRO~Ledfire Pro OEM Kit D32 White

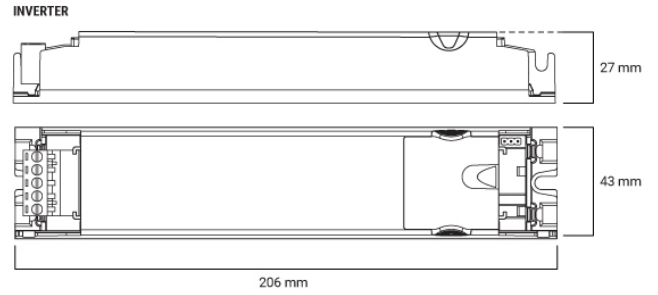
Item Code EV-LED FIRE-OEM-PRO

LINE DRAWINGS

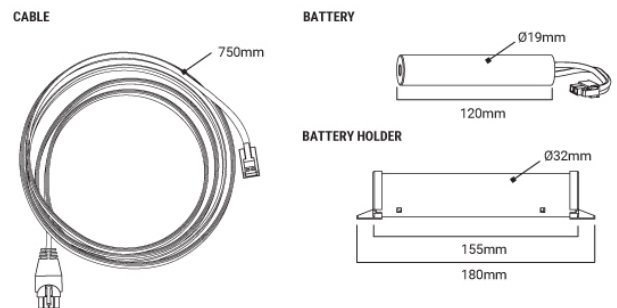
EV/LED FIRE/OEM/MODULE



EV/LED FIRE/OEM/INVERTER



EV/LED FIRE/OEM/BATTERY





ACCESSORIES

ORDER CODE	ITEM CODE	DESCRIPTION
01302	EV-1500mAh-6.4V-LiFeP04	Battery- Stick 1500mAh 6.4V- 2 Cell LifePO4