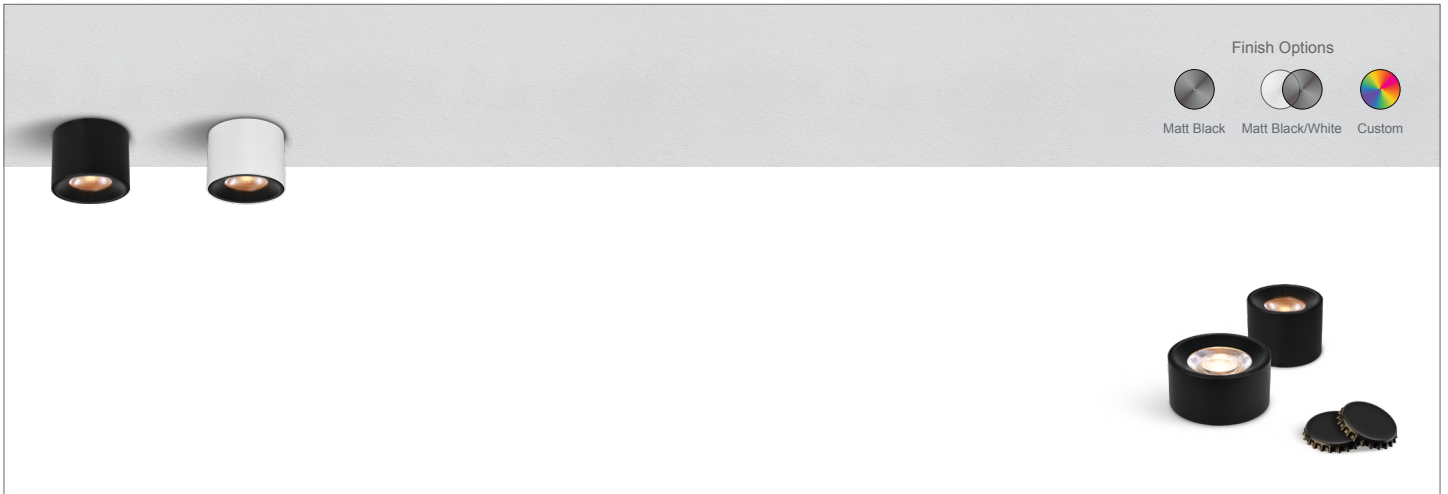


# MUSE-SM45

## 4W FIXED LED SURFACE MOUNT DOWNLIGHT

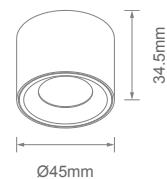
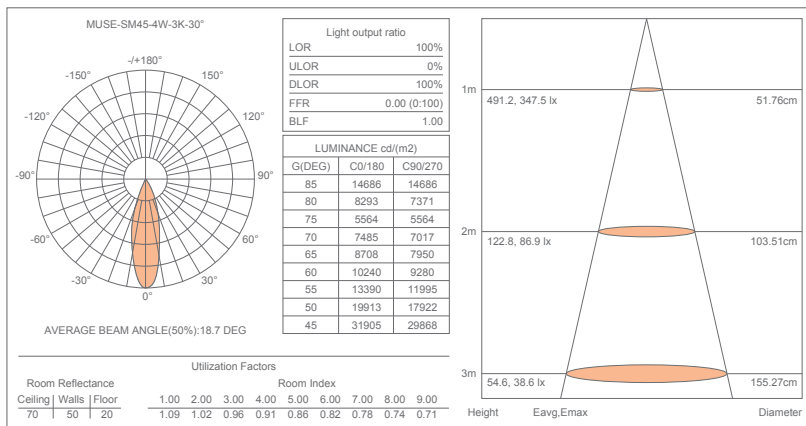


Micro surface mounted LED architectural luminaire providing optimised and efficient performance. Set-back optics and symmetrical distribution for enhanced visual appearance. Muse is minimalistic by design and made even more so by its miniature stature which incorporates a dimmable circuit as standard. Die-cast construction and quality painted surface treatment in Matt black, Matt white/black or custom colours on request. Muse offers a 3 year warranty.

- Luminaire Wattage: 3.7W (System Wattage)
- Luminous Flux: 198-208Lm<sup>2</sup>
- Luminaire Efficacy: 54.13Lm/W<sup>1</sup>
- Correlated Colour Temperature: 3000K standard; 4000K optional
- Colour rendering Index: >90<sup>3</sup>
- Optical Control Distribution: 30°
- Ø45 trim x Height 34.5mm; Surface mounted
- Protection rating: IP20
- Luminaire finishes: Matte Black, Matte White/Black (standard); custom colours optional<sup>4</sup>
- Longevity: 50,000Hrs
- 3-Step-Mac-Adams Ellipse
- Integral Triac/Mains dimming driver as standard
- Optional DALI dimming interface on request<sup>5</sup>
- 3 Year Warranty<sup>6</sup>

Model	LED Output <sup>2</sup>	Luminous Flux <sup>2</sup>	System Wattage	CCT	CRI <sup>3</sup>	Beam
MUSE-SM45-4W-3K	250Lm	198Lm	3.7W	3000K	>90	30°
MUSE-SM45-4W-4K	260Lm	210Lm	3.7W	4000K	>90	30°

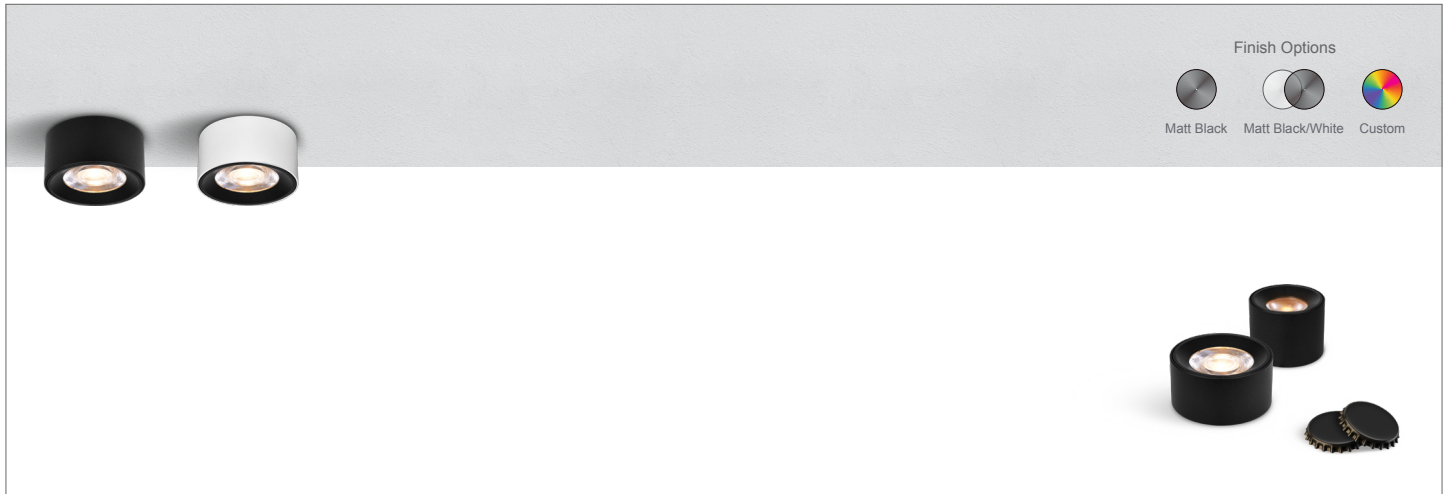
For DALI dimming, add suffix D<sup>5</sup>



1. Luminaire efficacy based on CCT 3000K; CCT variation will alter efficacy
2. +/- 10% stated initial LED luminous flux tolerance
3. Colour rendering index: >90 standard
4. Minimum order quantities apply for non-standard items and custom finishes will incur additional charges
5. DALI dimming interface requires a remote location. One interface is required per circuit and will have a common address
6. Three year manufacturer's warranty covering product defects and performance deficiencies

# MUSE-SM65

## 7W FIXED LED SURFACE MOUNT DOWNLIGHT

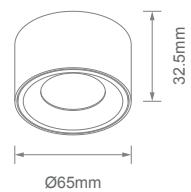
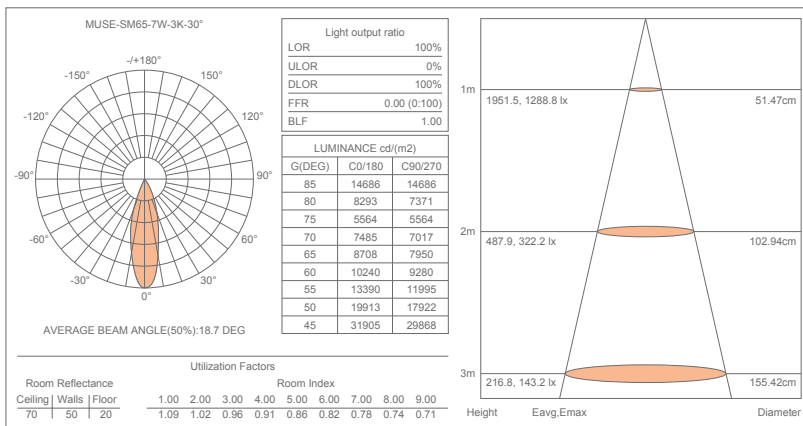


Micro surface mounted LED architectural luminaire providing optimised and efficient performance. Set-back optics and symmetrical distribution for enhanced visual appearance. Muse is minimalistic by design and made even more so by its miniature stature which incorporates a dimmable circuit as standard. Die-cast construction and quality painted surface treatment in Matt black, Matt white/black or custom colours on request. Muse offers a 3 year warranty.

- Luminaire Wattage: 6.6W (System Wattage 7W)
- Luminous Flux: 544-561Lm<sup>2</sup>
- Luminaire Efficacy: 82.67Lm/W<sup>1</sup>
- Correlated Colour Temperature: 3000K standard; 4000K optional
- Colour rendering Index: >90<sup>3</sup>
- Optical Control Distribution: 30°
- Ø65 trim x Height 32.5mm; Surface mounted
- Protection rating: IP20
- Luminaire finishes: Matte Black, Matte White/Black (standard); custom colours optional<sup>4</sup>
- Longevity: 50,000Hrs
- 3-Step-Mac-Adams Ellipse
- Integral Triac/Mains dimming driver as standard
- Optional DALI dimming interface on request<sup>5</sup>
- 3 Year Warranty<sup>6</sup>

Model	LED Output <sup>2</sup>	Luminous Flux <sup>2</sup>	System Wattage	CCT	CRI <sup>3</sup>	Beam
MUSE-SM65-7W-3K	680Lm	544Lm	7W	3000K	>90	30°
MUSE-SM65-7W-4K	705Lm	561Lm	7W	4000K	>90	30°

For DALI dimming, add suffix D<sup>5</sup>



1. Luminaire efficacy based on CCT 3000K; CCT variation will alter efficacy
2. +/- 10% stated initial LED luminous flux tolerance
3. Colour rendering index: >90 standard
4. Minimum order quantities apply for non-standard items and custom finishes will incur additional charges
5. DALI dimming interface requires a remote location. One interface is required per circuit and will have a common address
6. Three year manufacturer's warranty covering product defects and performance deficiencies